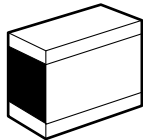
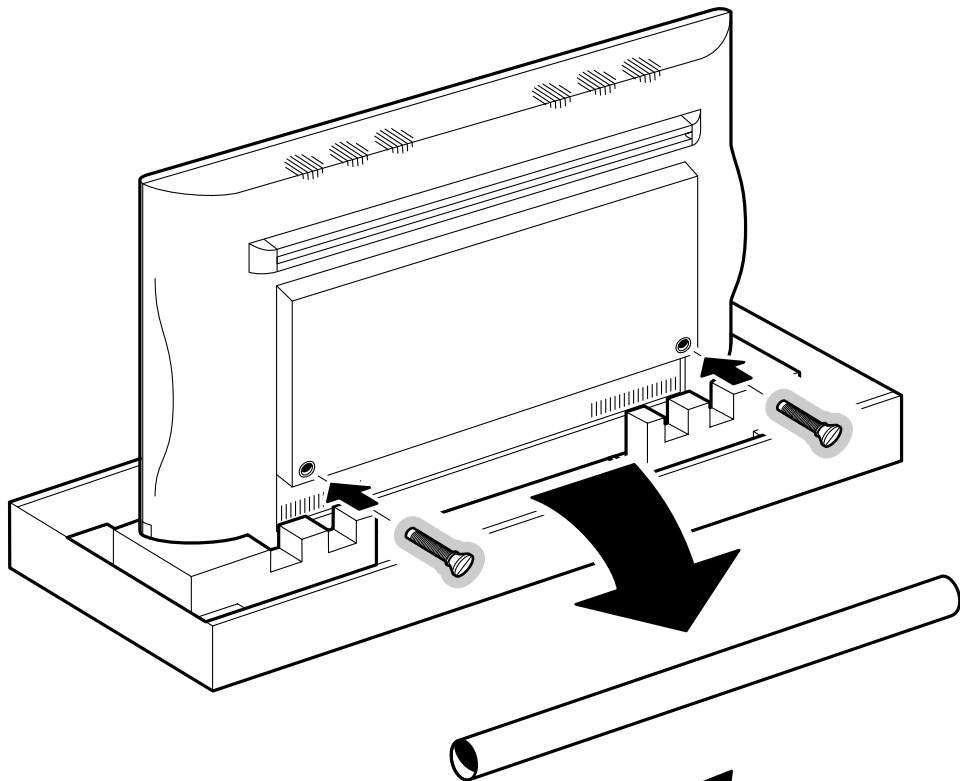
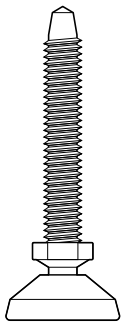


1 - 3 →

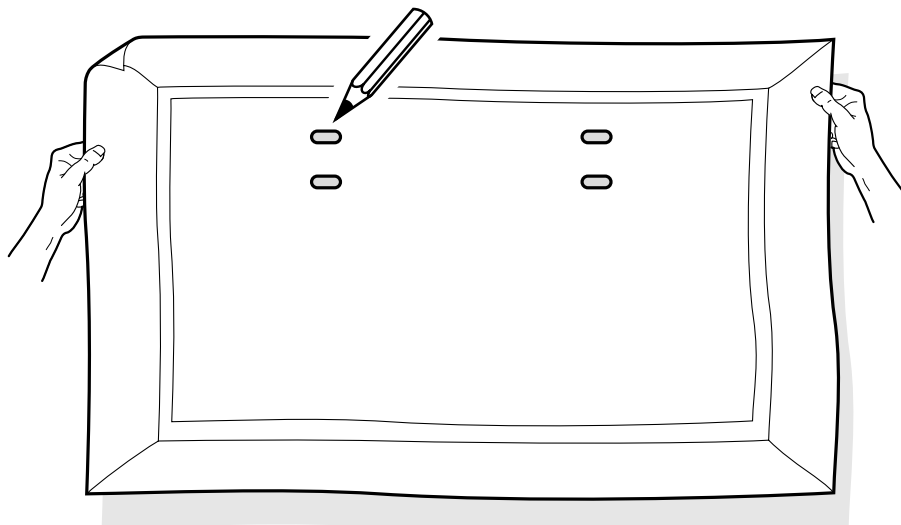


4^a

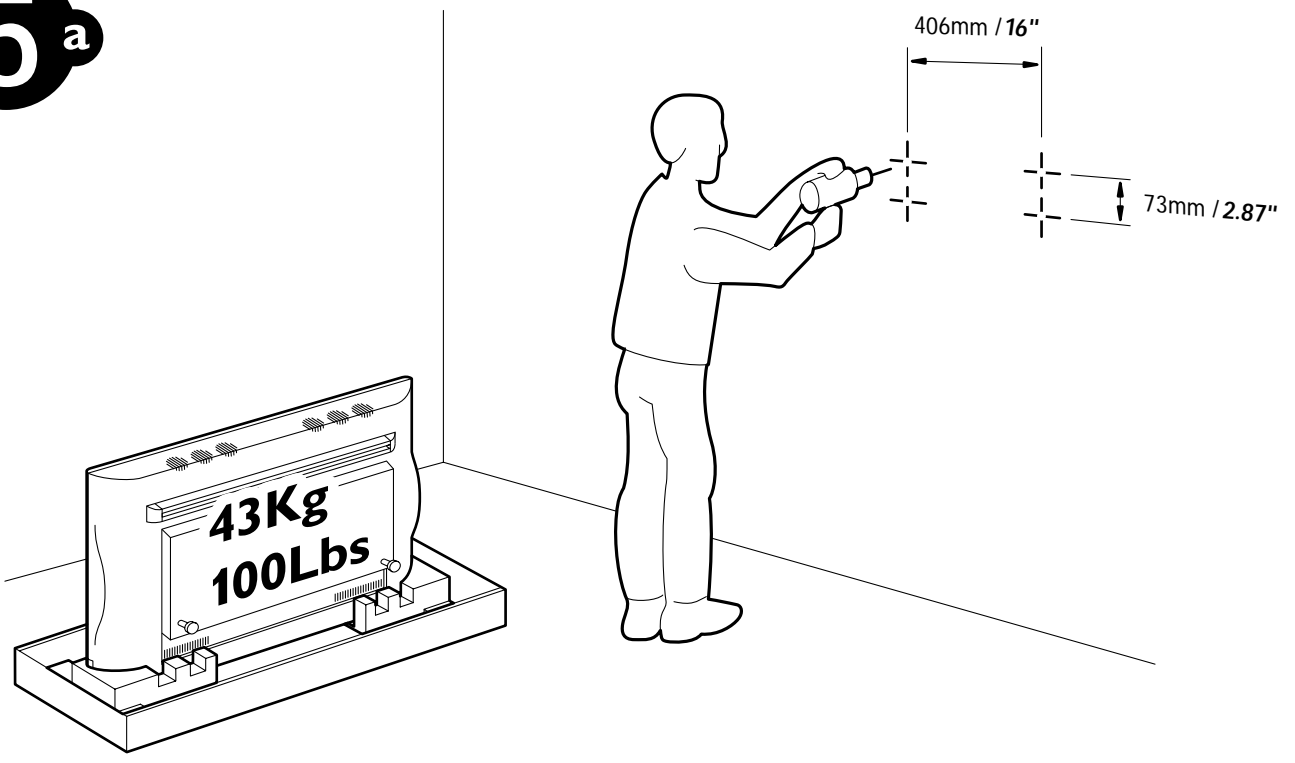
x 2



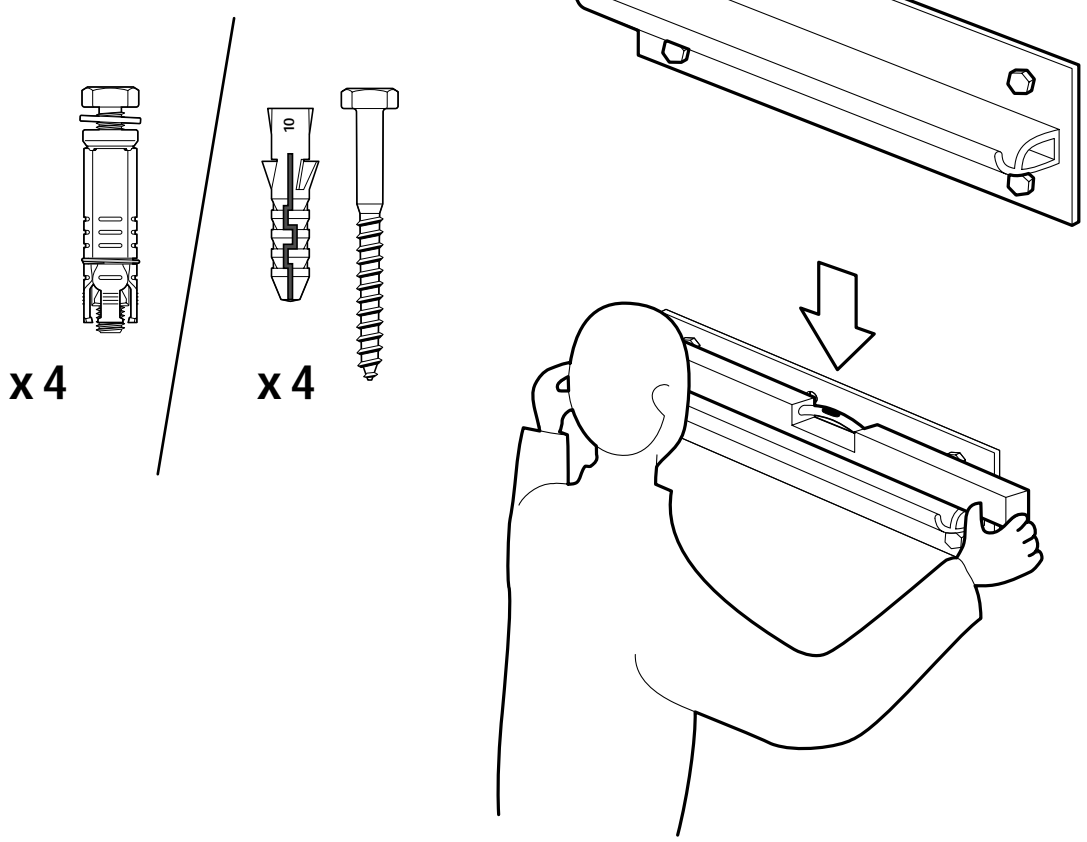
4^b



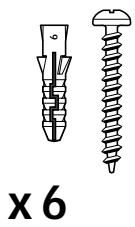
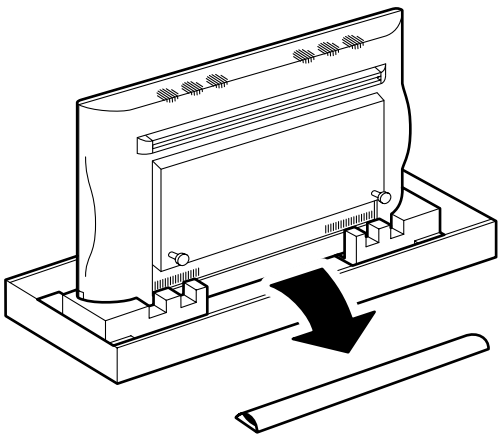
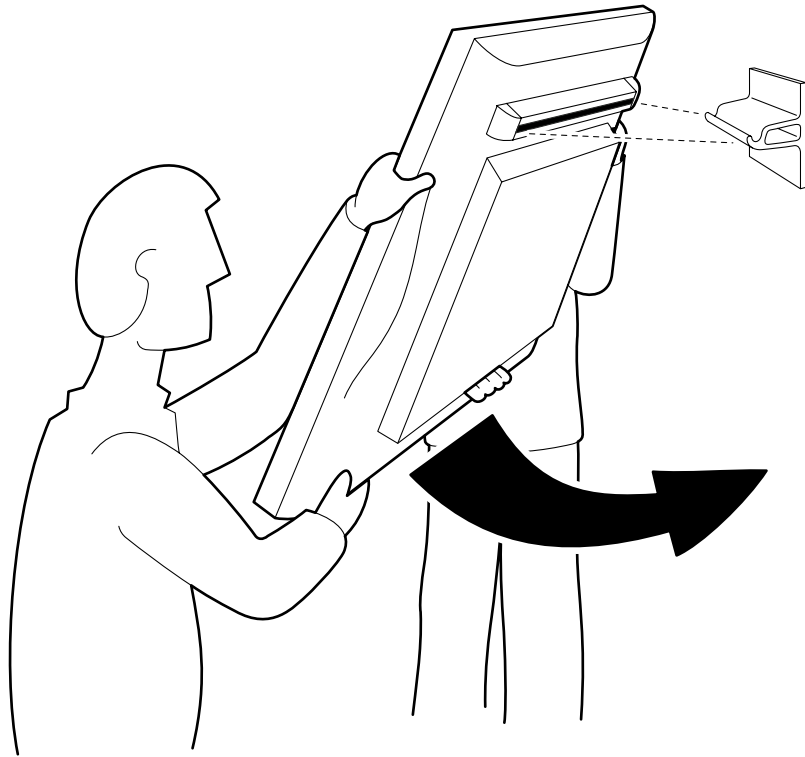
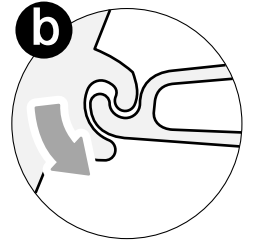
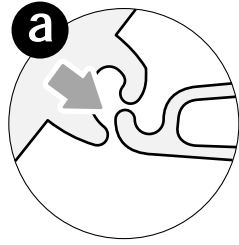
5^a



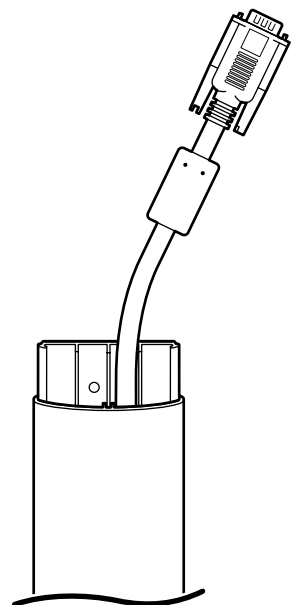
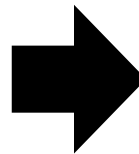
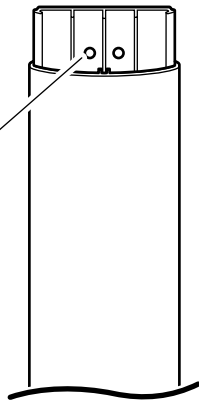
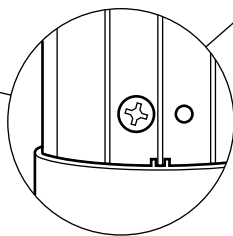
5^b

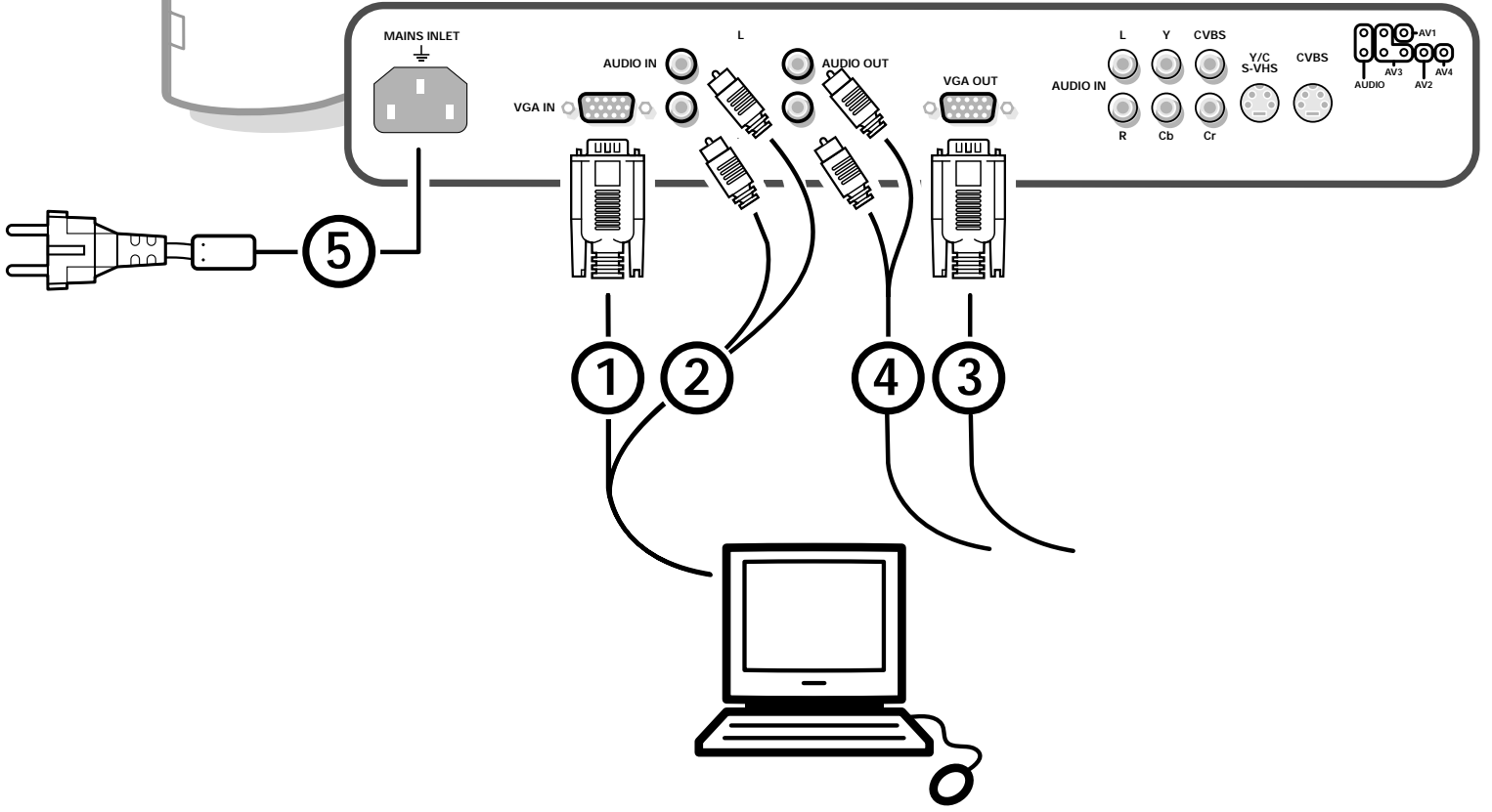
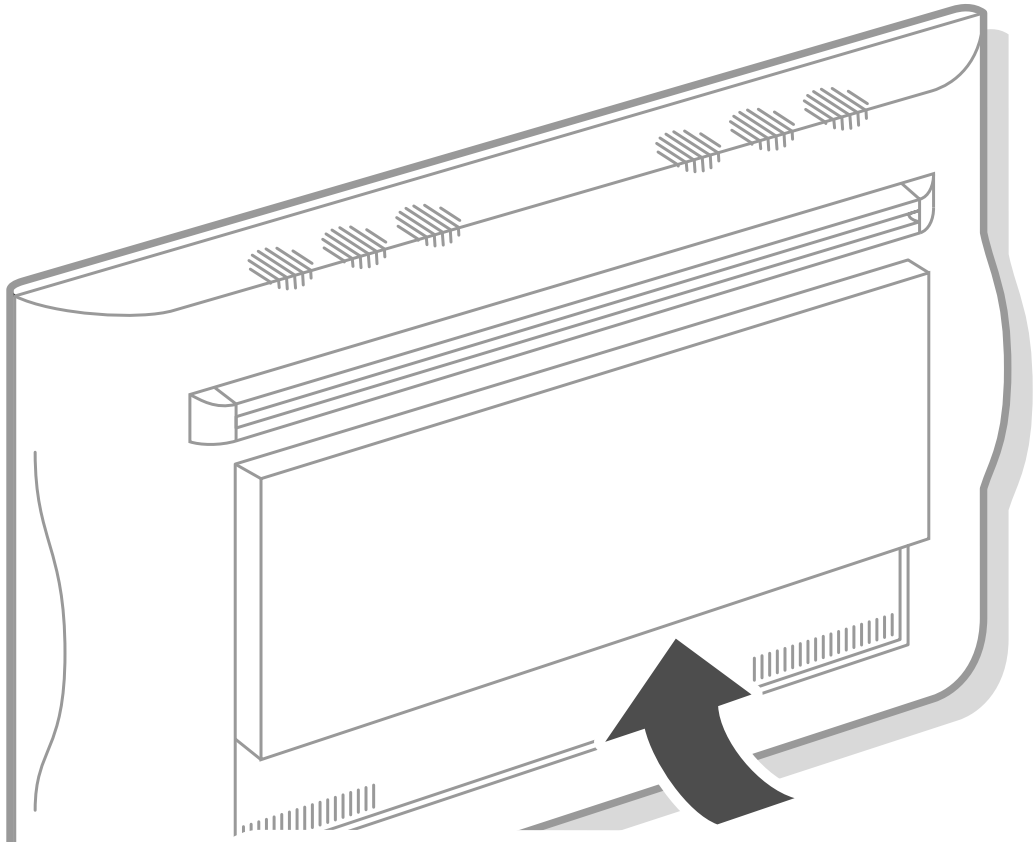


6



x6





Unpacking and wall mounting instructions

For the unpacking instructions follow the illustrated steps printed on the packaging (outside and inside).

For the wall mounting instructions follow the illustrated steps ④ to ⑥ printed on the first pages of this instruction booklet.

Make sure that the wall mount is being fixed securely enough so that it meets safety standards. The weight of the monitor (excl. packaging) is about 43 kg.

Connect your computer

- ① Connect one end of the VGA cable ① supplied to the video card of the computer and the other end to the **VGA IN** connector at the rear side of the monitor. Fix the connectors firmly with the screws on the plug.
- ② In case of a Multimedia computer, connect the audio cable ② to the audio outputs of your Multimedia computer and to the **AUDIO IN R** (right) and **L** (left) inputs of the monitor.

Daisy chaining

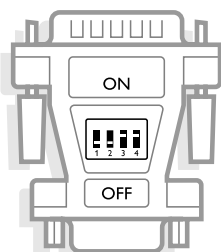
The Active Loop Through facility makes it possible to make a daisy chain with a second VGA monitor.

- ③ Connect one end of another VGA cable ③ to the **VGA OUT** connector at the rear side of the monitor and the other end to the **VGA IN** connector of a second VGA monitor.
- ④ In case of a Multimedia computer, also connect the audio cables ④ to the **AUDIO L** and **R** outputs of the monitor and to the **AUDIO IN L** and **R** inputs of the second VGA monitor.

Note: only use the VGA cables supplied or use cables that are specially delivered with the monitor.

Connect your Apple Macintosh* computer

Attention: Macintosh computers with separate H and V synchronisation signals can be used together with a switchable adaptor. Macintosh computers with Composite Sync and Sync on Green signals may need another special adaptor or cable. Contact your dealer.



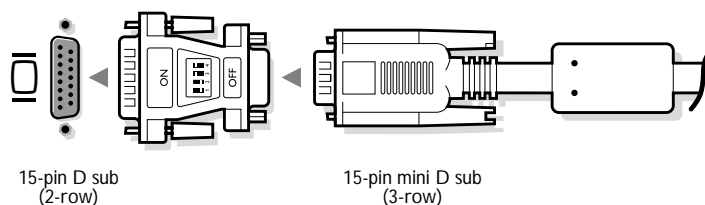
Connect the switchable adaptor for Apple video connectors to one end of a VGA cable.

Put the DIP switches on the adaptor in the following positions :

1	2	3	4
off	off	on	on

Connect the end of the VGA cable with the adaptor to the video card of the computer and the other end to the **VGA IN** connector on the back of the monitor.

Screw the connectors down firmly.



15-pin D sub
(2-row)

15-pin mini D sub
(3-row)

* Apple Macintosh is a registered trademark of Apple Computer, Inc.

Computer Display modes

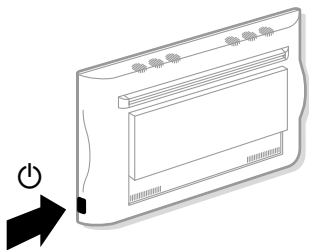
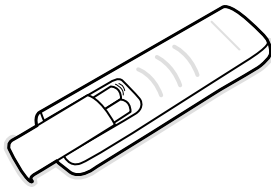
VGA	640x480	31.468 kHz	60 Hz
VGA	640x400	31.468 kHz	70 Hz
VGA	640x350	31.468 kHz	70 Hz
VGA	856x480	31.468 kHz	60 Hz
VGA	800x450	31.490 kHz	65 Hz
MAC II	640x480	35.000 kHz	67 Hz
SVGA	800x600	35.156 kHz	56 Hz
SVGA	800x600	37.880 kHz	60 Hz
XGA	1024x768	45.000 kHz	56 Hz
XGA	1024x768	48.360 kHz	60 Hz


When a VGA computer is connected, the selection is made automatically.

A message is displayed when the monitor does not support one of the above mentioned VGA modes.

Switch your computer to a correct display mode.

Operation



- 1 Insert the mains plug ⑤** (see previous page for the illustration) supplied into the mains inlet at the back of the monitor and in the wall socket. Please, only use the supplied rim-earthed mains cord with its built-in filter.
- 2 Remote control:** remove the cover of the battery compartment. Insert the 2 batteries supplied (Type LR6AA-1.5V).
The batteries supplied do not contain the heavy metals mercury and cadmium. Nevertheless in many countries batteries may not be disposed of with your household waste. Please check on how to dispose of batteries according to local regulations.
- 3 Switch the monitor on :** Press the power button  at the right side of the monitor.
A green indicator lights up and the screen comes on.
When the monitor does not receive a certain VGA signal the screen switches to standby and the red indicator lights up.
Make sure that your PC is switched on and is in the correct display mode.


Use of the remote control

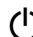
VGA to select your computer connected to the **VGA IN** connector

FRONT no function

AV1, AV2, AV3, AV4 to select the peripherals connected to the input connector panel

- CH/P + no function

 press - or + to adjust the volume

 to switch to standby or on again

OK to activate your choice

MENU to switch the menu on/off
cursor keys to select your choice and to alter a selected adjustment


◀▶ Picture format

- In **VGA** mode, press the ◀ or ▶ keys to switch between a 4:3 or 16:9 screen picture format.

*Note: In **VGA** display mode 850x480 you can select **Wide VGA**.*

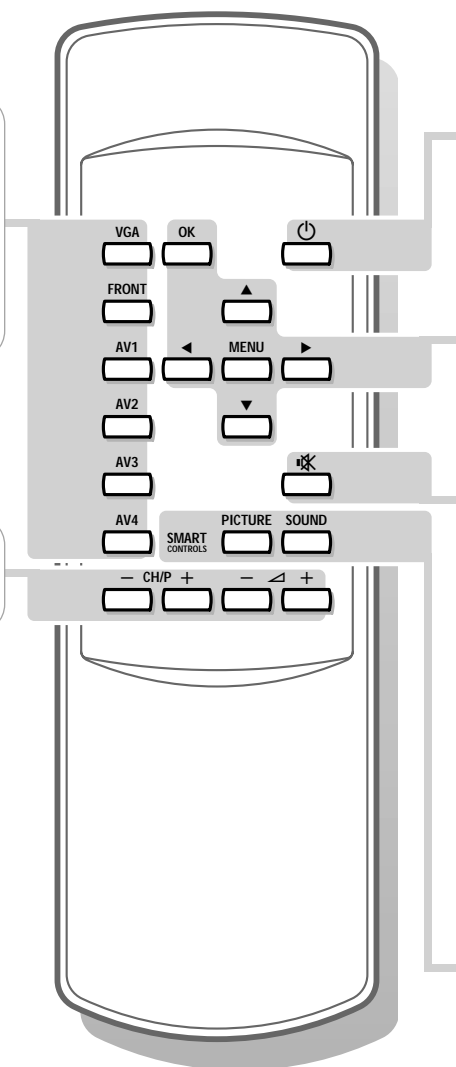
*In **VGA** display mode 800x450 **Wide VGA** is fixed.*

- In **AV** mode, press the ◀ or ▶ keys to switch between a 4:3, a Movie Expand 14:9, a Movie Expand 16:9 or a Wide Screen picture format.

 **Mute key**
temporarily mute the sound or restore it

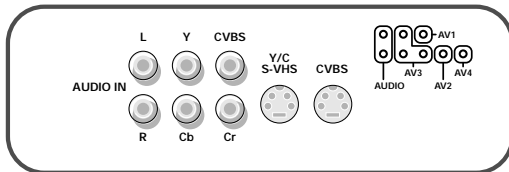
SMART CONTROLS

PICTURE/SOUND no function



Connect audio/video peripheral equipment

Audio and video equipment can be connected to the monitor.
The following diagram shows you where you can connect a video recorder or DVD player.



Video recorder

- 1 According to the type of video recorder connect the video cable to the **Y/C S-VHS** socket (**AV2**) or to one of the **CVBS** sockets (**AV1** or **AV4**).
- 2 Connect the audio cables to the **AUDIO IN L** and **R** sockets to reproduce sound.

DVD player or other equipment

- 1 According to the type of DVD player or other equipment, connect the cables to the **Y + Cb + Cr** sockets (**AV3**) or to the **Y/C S-VHS** socket (**AV2**) or to one of the **CVBS** sockets (**AV1** or **AV4**).
- 2 Connect the audio cables to the **AUDIO IN L** and **R** sockets to reproduce sound.

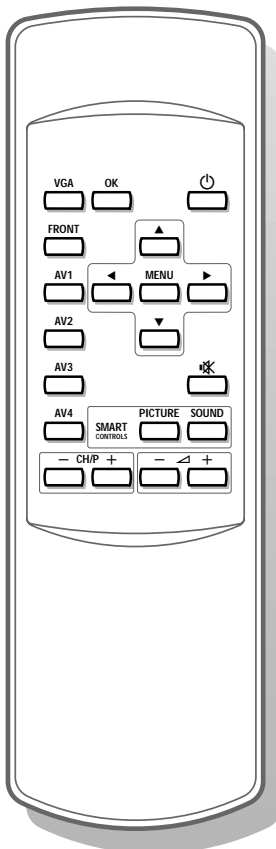
Reproduce picture and sound

Press the **VGA** key to select your computer connected to the **VGA IN** connector or press **AV1**, **AV2**, **AV3**, or **AV4** to reproduce picture and sound from peripheral equipment connected to **AV1**, **AV2**, **AV3** or **AV4** of the panel.

Note: the key FRONT has no function.

Menu

- 1 Press the **MENU** key to switch the menu on.
- 2 Select one of the PC symbols with the **▲** and **▼** keys:
 - for contrast
 - ☉ for brightness,
 - ⊗ for colour (*not in VGA mode*)
 - Ⓜ for tint (*if a NTSC peripheral is connected. Not in VGA mode*)
 - Ⓜ for colour temperature
 - ▭ for horizontal picture position (*only in VGA mode*)
 - ▭ for vertical picture position (*only in VGA mode*)
 - ▴ for volume
 - ♫ for treble (*not in VGA mode*)
 - 🎵 for bass (*not in VGA mode*)
- 3 Press the **◀** and **▶** keys to alter the selected adjustment.
- 4 Press the **MENU** key again to switch the menu off.



Tips

Ambient temperature

Do not hang up the monitor above a central heating or other heating sources.

Active Loop Through

The Active Loop Through facility makes it possible to make a daisy chain for VGA. Maximum 2 sets.

Care of the screen

Clean the anti-reflex coated flat glass screen with a slightly damp soft cloth. Do not use abrasives solvents as it can damage the glass surface of the screen.

Plasma Display characteristics

When switching over to another picture after having displayed the same still picture for a long time (many hours), it may happen that some parts from the previous picture will remain on screen due to a kind of memory effect. This ghost picture will disappear after some time. To avoid this effect change the pictures regularly or for PC use you can turn on a screen saver in your computer.

Philips has built in an automatic shift of the picture every 5 minutes to avoid this effect and to prolong the life of the screen.

Very incidentally and after a longer period of unuse (approx. 1 year) the screen may display some strange colour deficiencies. This is quite normal for plasma displays and these effects will disappear after the set has been turned on for some time.

A plasma display consists of more than 1,2 Million colour pixels. It is within industry standards that very few pixels (< 0.001%) may be defective, even for a new set.

There is however no reason to doubt about the quality of the set.

The plasma display technology operates with rare gases which are being influenced by air pressure. Up to an altitude of 2000 m above sea-level, the display is functioning fine. Operating the set at a

higher altitude, the picture becomes unstable and the picture performance is deteriorating. Bringing the set below 2000 m it works fine again. Transportation has no influence.

Control of peripheral equipment

The infrared signals of the screen may influence the reception sensitivity of other peripherals. Solution: replace the batteries of the remote control or change position of other equipment. E.g. keep away a wireless headphone from within a radius of 1.5 m.

No stable or not synchronised VGA picture

Check if you have selected the correct VGA mode in your PC (640x480, 640x400, 640x350, 856x480, 800x450, MAC II, SVGA, XGA).

No picture or no sound

Are the supplied cables connected properly? (The power cable to the display, the VGA cables, the audio cables,...)

Is your PC switched on?

Do you see a black screen and the indicator in front of the monitor lights up green, this means that the display mode is not supported.

Switch your VGA source to a correct mode.

Remote control

If your monitor no longer responds to the remote control, the batteries may be exhausted.

If your problem is not solved:

Switch your monitor off and then on again.

Never attempt to repair a defective monitor yourself.

Check with your dealer or call a TV technician.

Transport

Keep the original packaging to transport the monitor if needed.

End of life directives

Philips is paying a lot of attention to produce environmentally-friendly in green focal areas. Your new monitor contains materials which can be recycled and reused.

At the end of its life specialised companies can dismantle the discarded monitor to concentrate the reusable materials and to minimise the amount of materials to be disposed of.

Please ensure you dispose of your old monitor according to local regulations.

How to dispose of batteries ?

The batteries supplied do not contain the heavy metals mercury and cadmium. Nevertheless in many countries batteries may not be disposed of with your household waste. Please ensure you dispose of batteries according to local regulations.

Miscellaneous

- . Ambient temperature: + 5~ + 45°C
- . Maximum operating altitude: 2000 m
- . Mains: AC 100-240V
- . Power consumption: around 350W
- . Standby consumption: 1 W
- . Weight (excl. packaging)
Display: 42.5 kg
- . Dimensions (wxhxd):
Display: 122.2 x 68.1 x 14.6 cm
- . Wall mounting bracket included