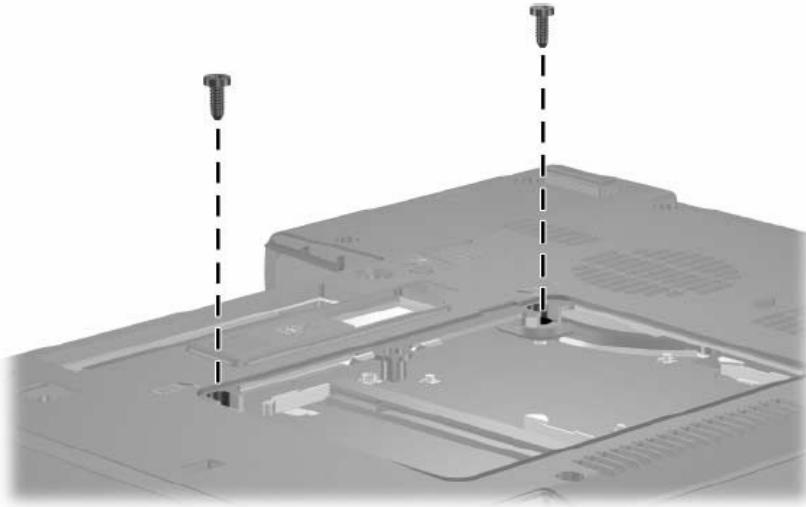


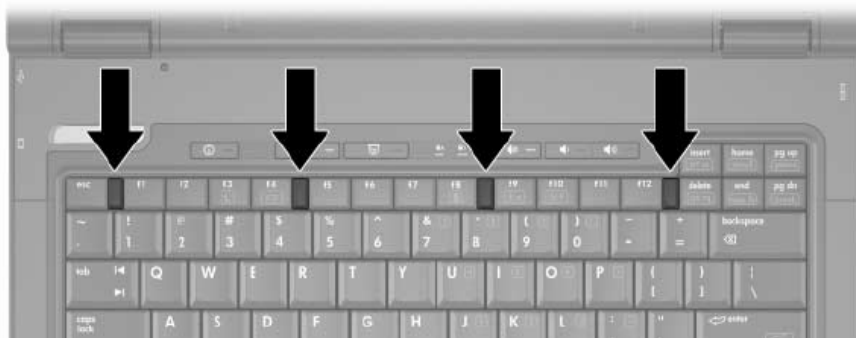
3. Remove the 2 T8M2.0x9.0 screws that secure the keyboard to the notebook.



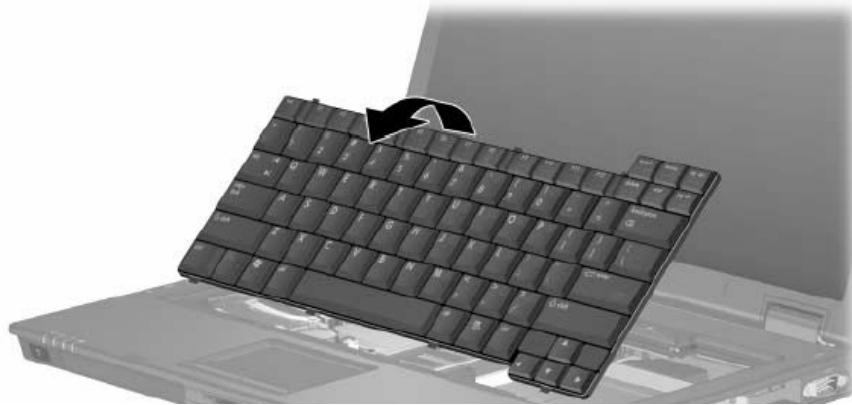
Removing the Keyboard Screws

Removal and Replacement Procedures

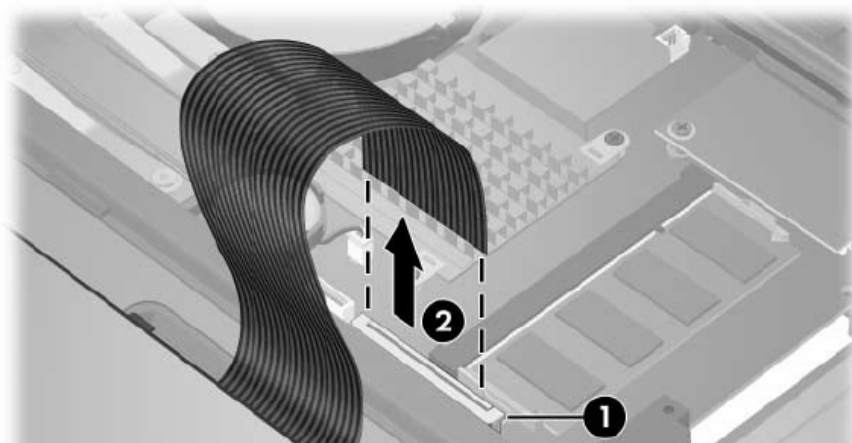
4. Turn the notebook display-side up with the front toward you.
5. Open the notebook as far as possible.
6. Slide the 4 keyboard retaining latches toward you.



7. Lift the rear edge of the keyboard up and swing it toward you until it rests on the palm rest.



8. Release the zero insertion force (ZIF) connector **1** to which the keyboard cable is attached and disconnect the keyboard cable **2**.



4. Remove the RTC battery **2** from the clip in the top cover.

