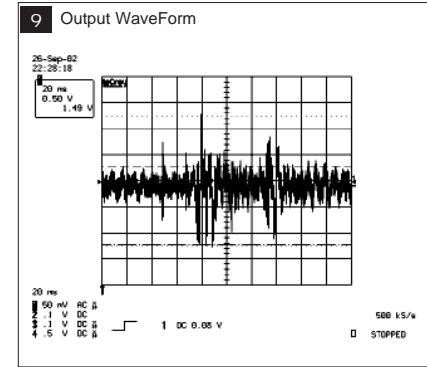
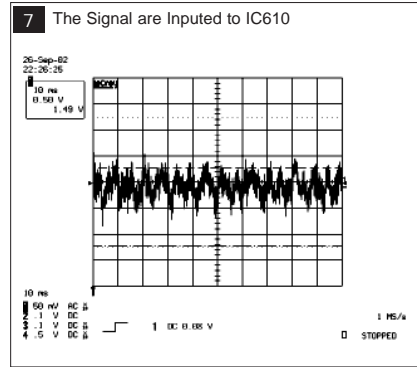
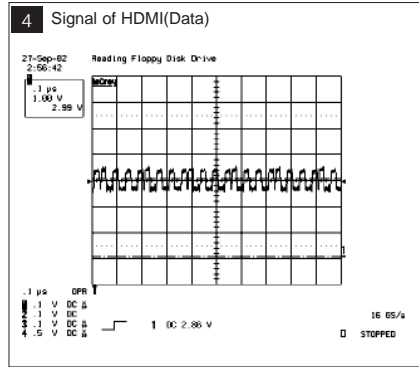
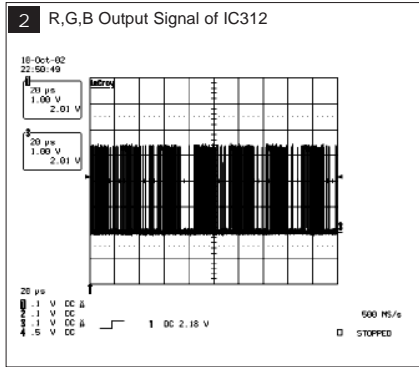
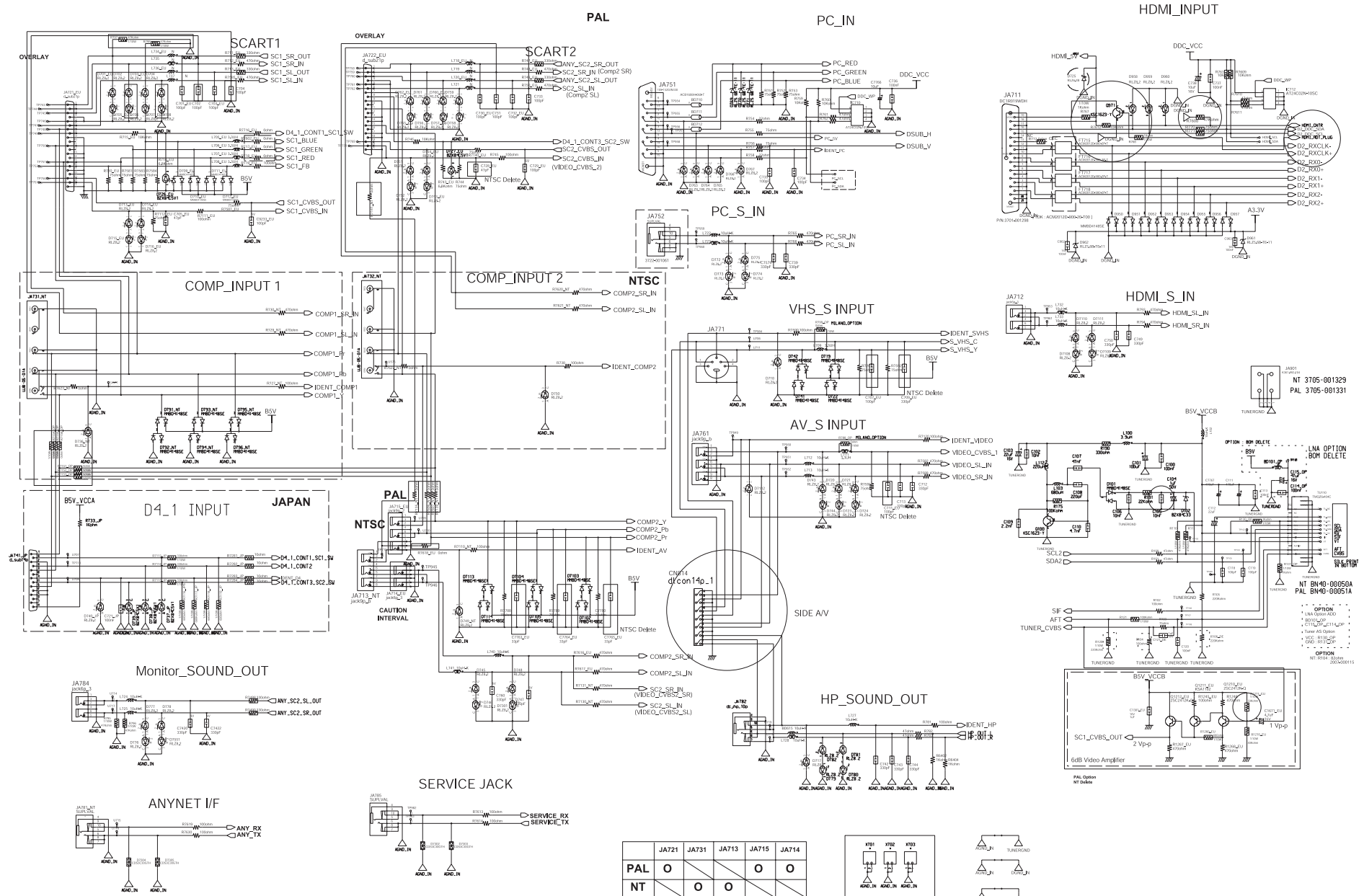


9 Schematic Diagrams

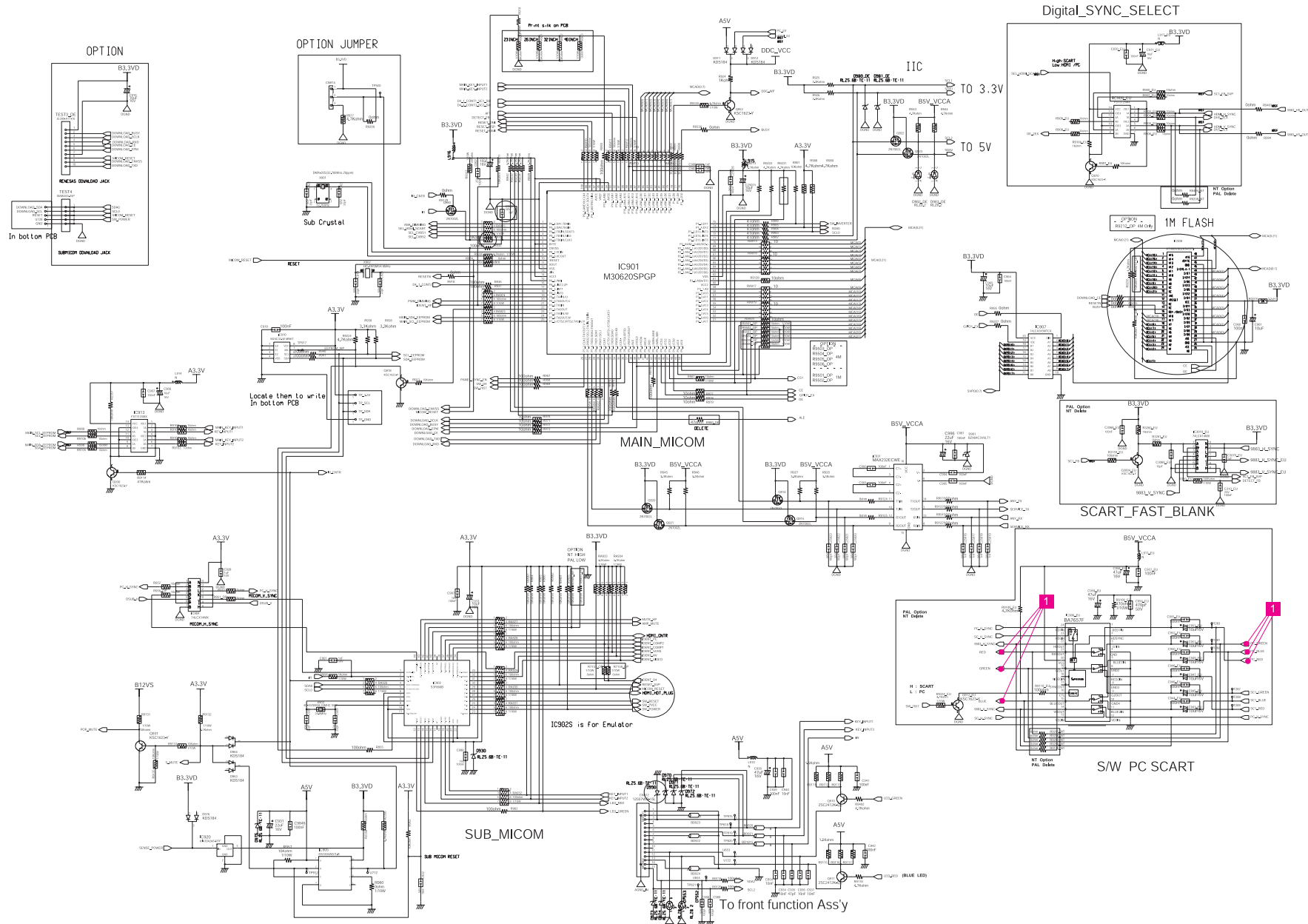


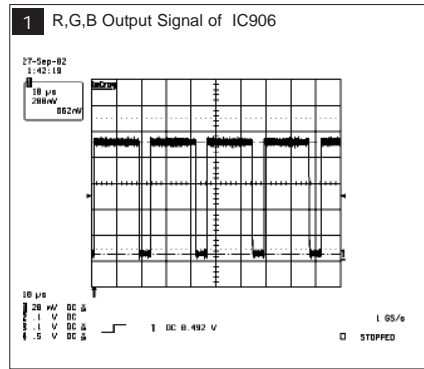
-This Document can not be used without Samsung's authorization.
 9-2 AV In_Out_Tuner Schematic Diagram



-This Document can not be used without Samsung's authorization.

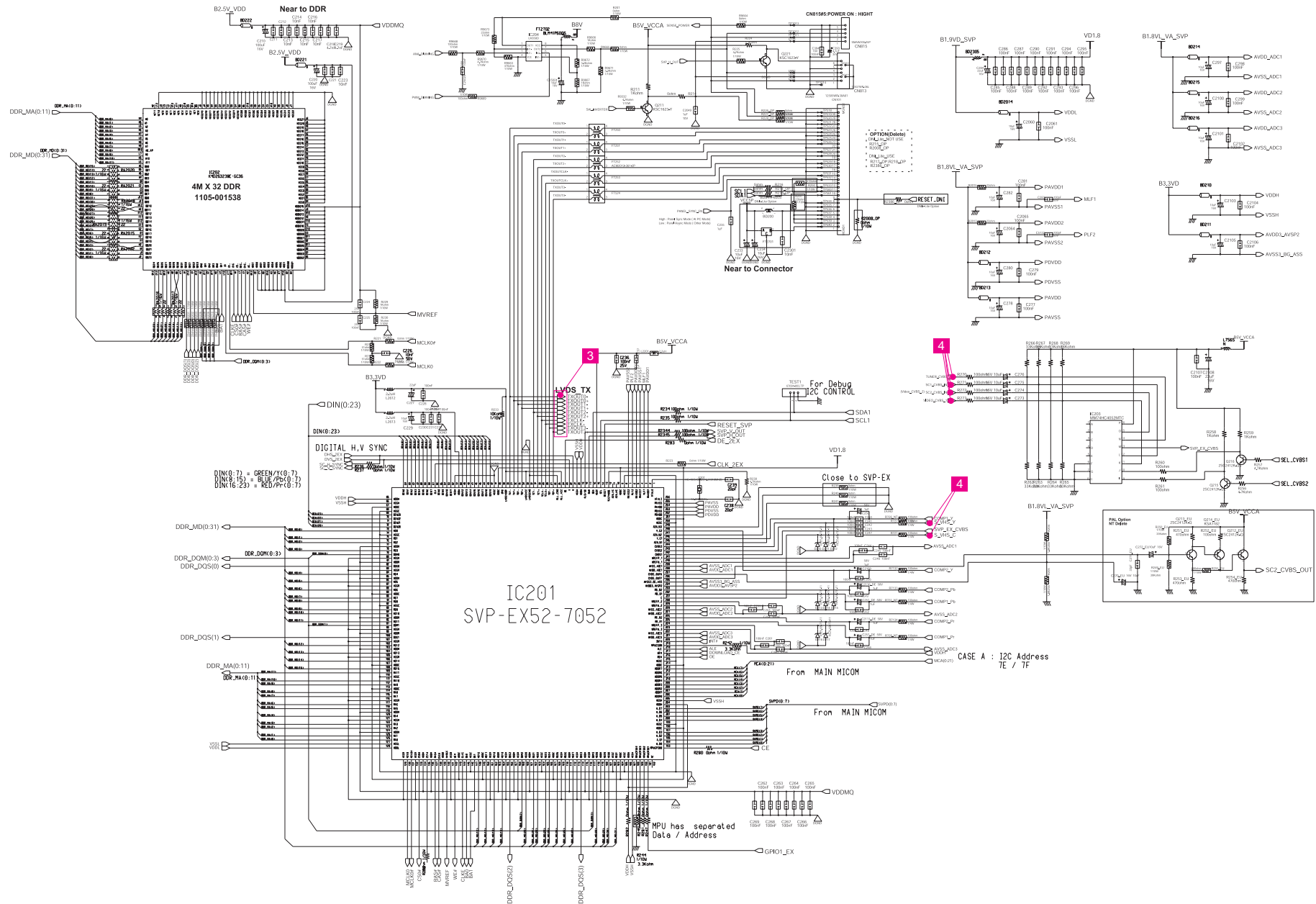
9-3 Microm Schematic Diagram

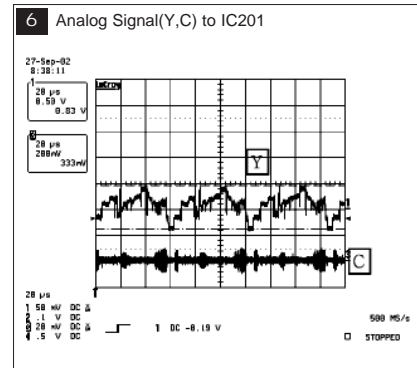
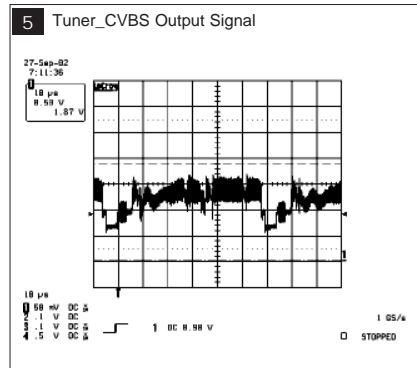
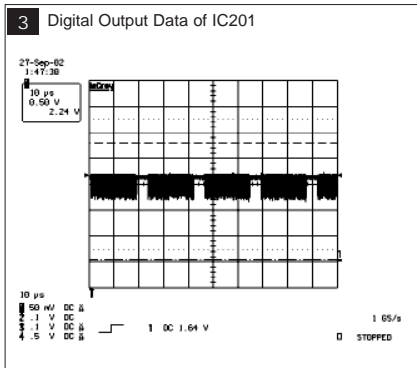




-This Document can not be used without Samsung's authorization.

9-4 SVP EX Schematic Diagram



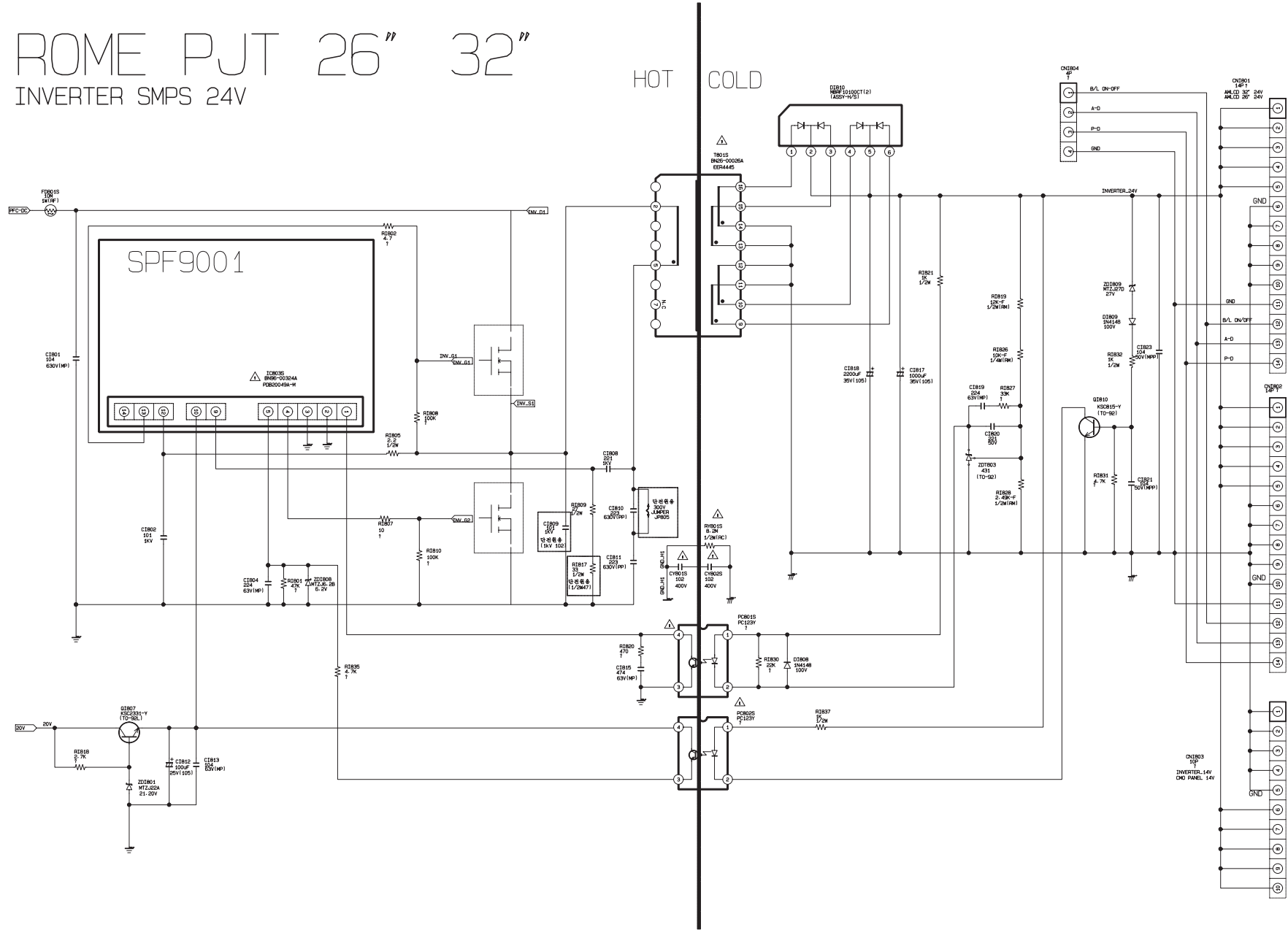


9 Schematic Diagrams

-This Document can not be used without Samsung's authorization.

9-5 INVERTER Schematic Diagram(26", 32")

ROME PJT 26" 32"
INVERTER SMPS 24V

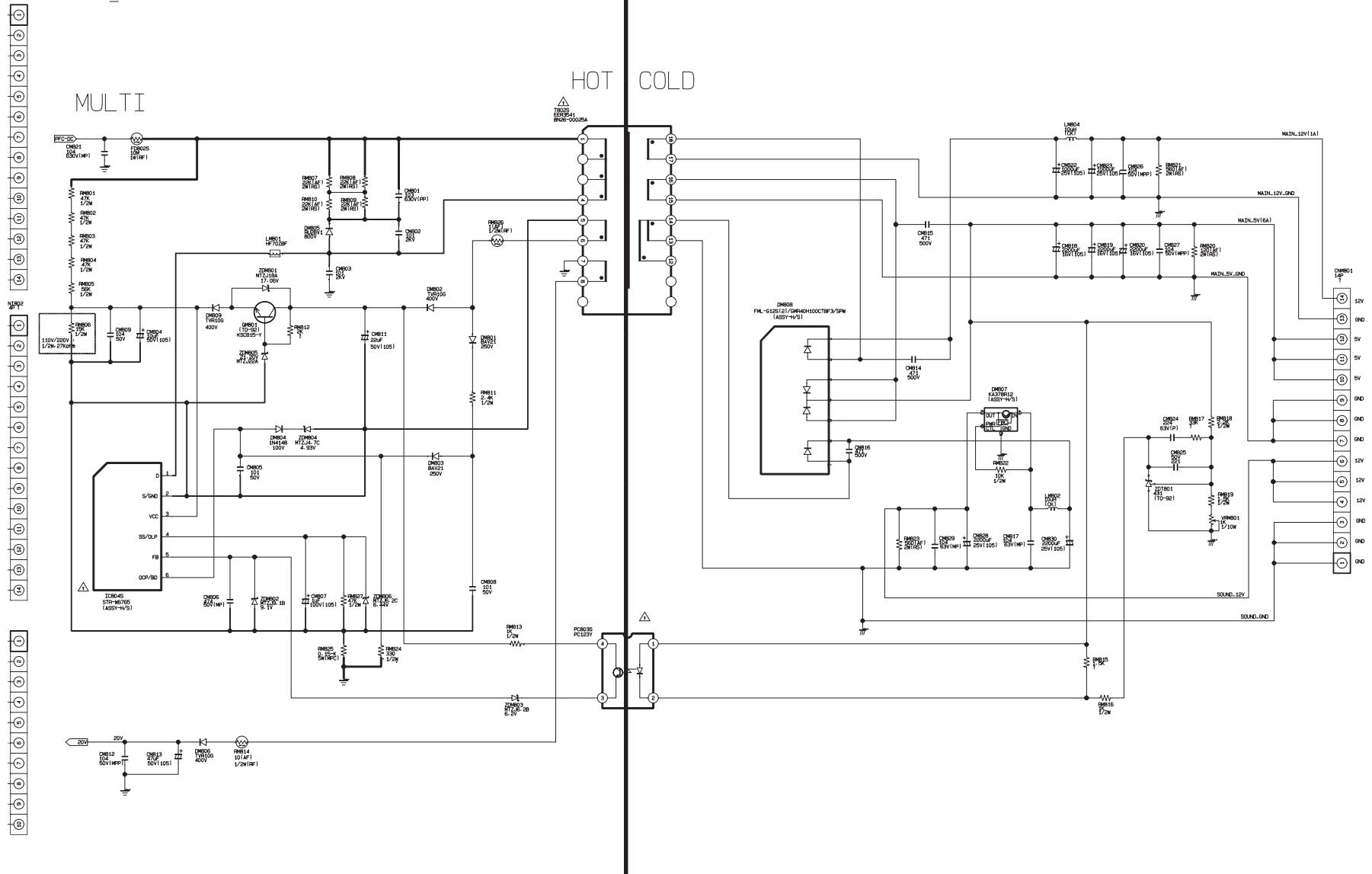


-This Document can not be used without Samsung's authorization.

9-6 MULTI_SMPS Schematic Diagram(26", 32")

ROME PJT 26" 32"

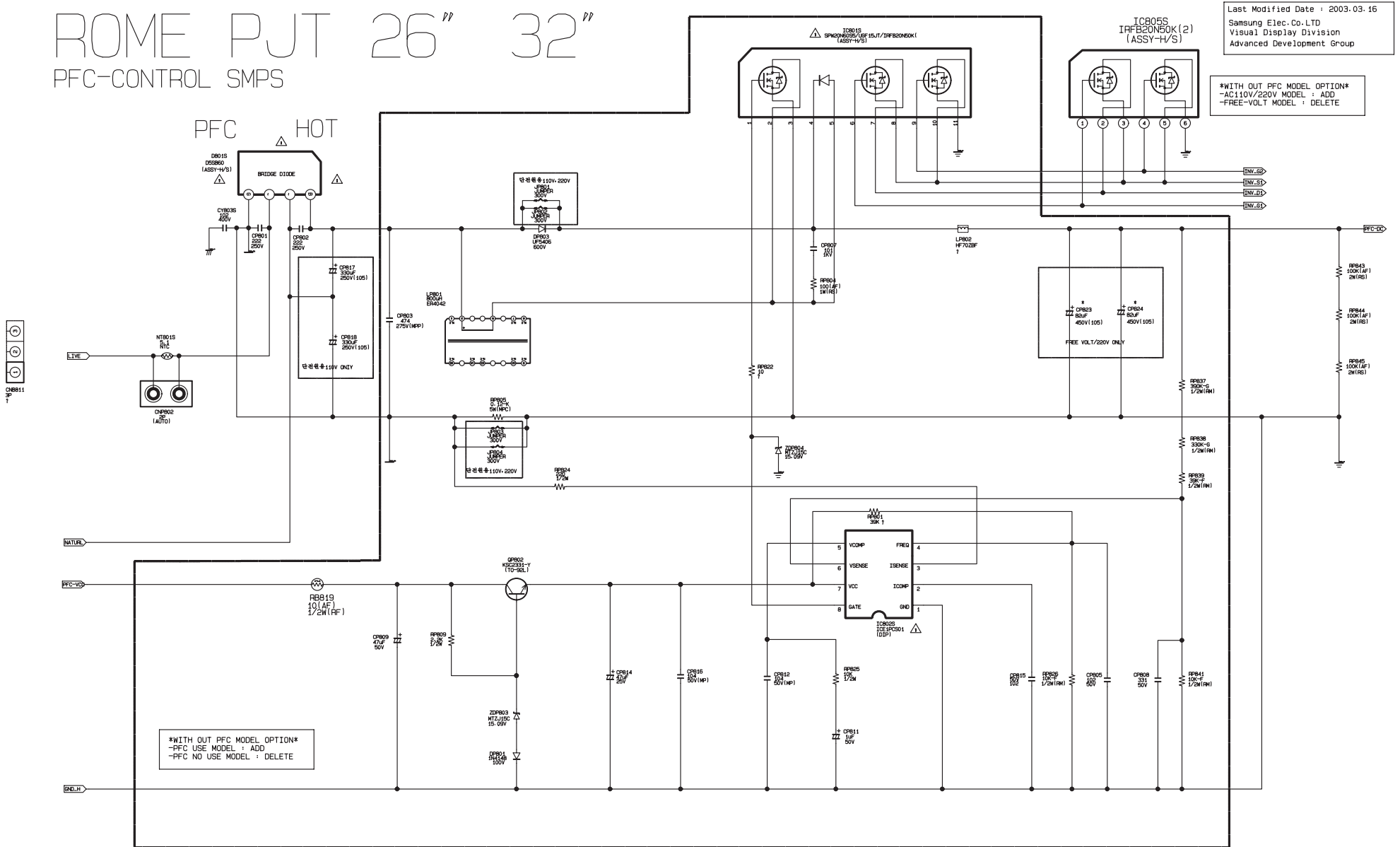
MULTI-SMPS



-This Document can not be used without Samsung's authorization.

9-7 PFC_CONTROL SMPS Schematic Diagram(26", 32")

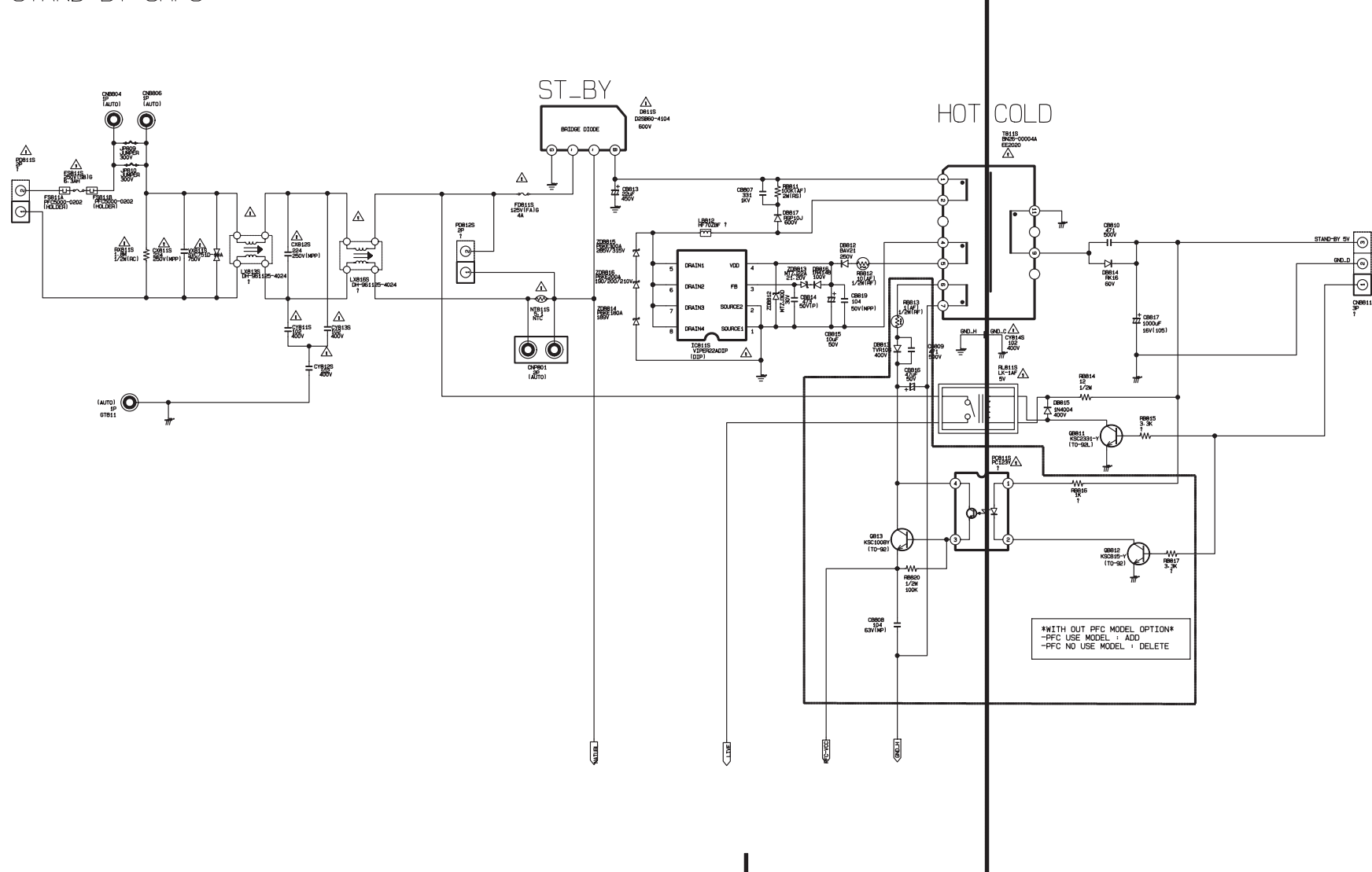
ROME PJT 26" 32"
PFC-CONTROL SMPS



-This Document can not be used without Samsung's authorization.

9-8 STAND BY SMPS Schematic Diagram(26", 32")

ROME PJT 26" 32"
STAND-BY SMPS



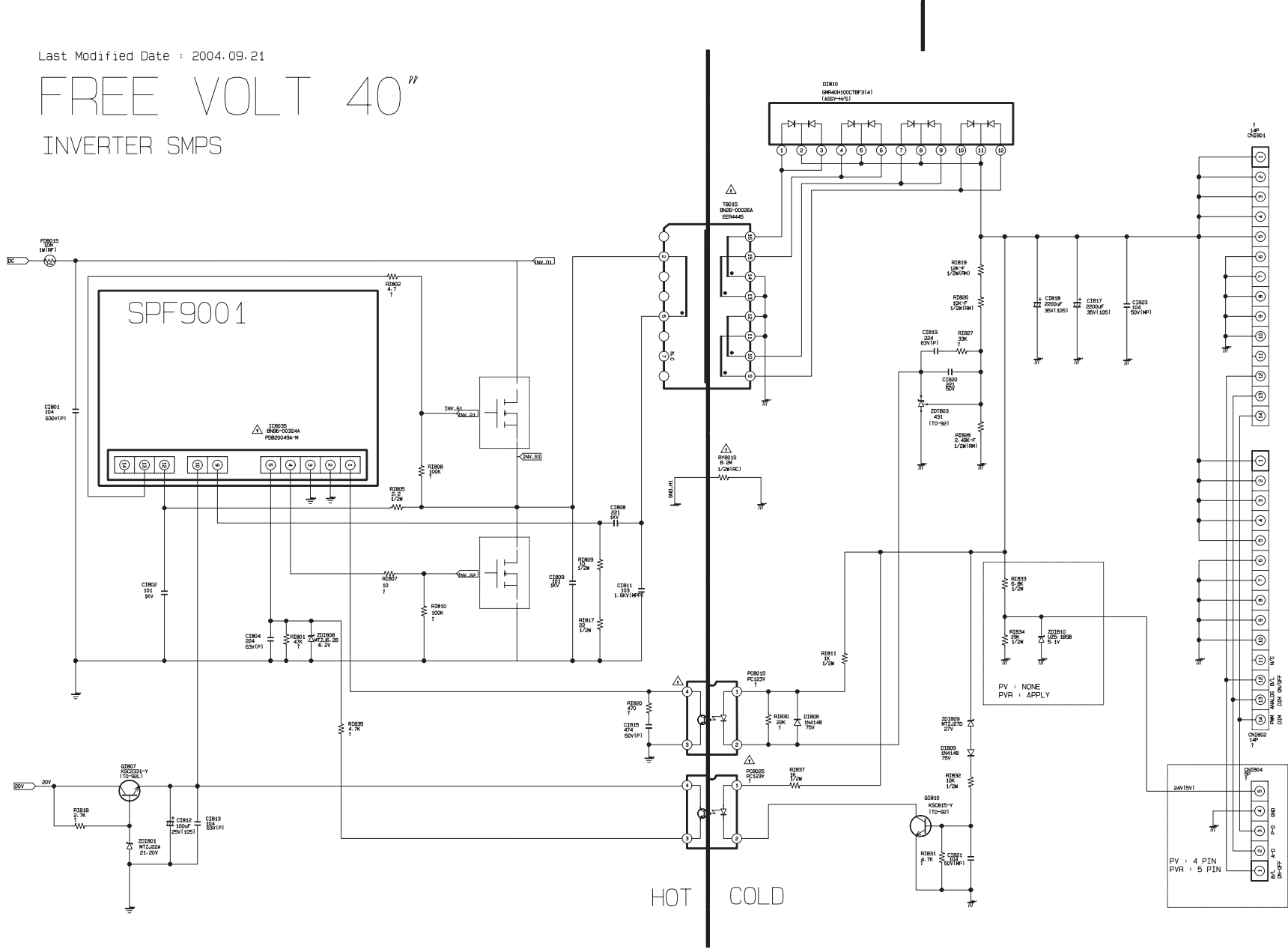
9 Schematic Diagrams

-This Document can not be used without Samsung's authorization.

9-9 INVERTER Schematic Diagram(40")

Last Modified Date : 2004.09.21

FREE VOLT 40"
INVERTER SMPS

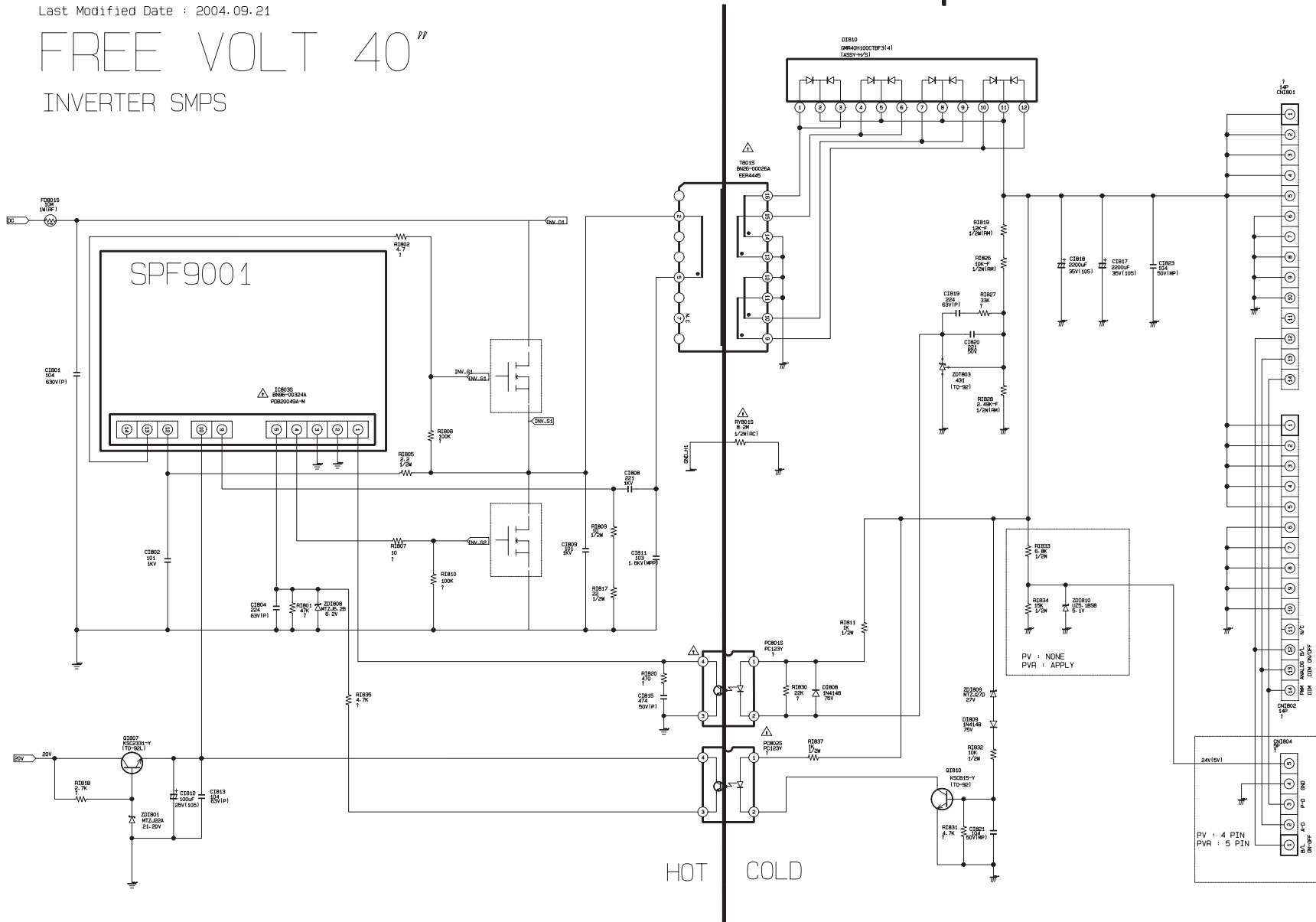


-This Document can not be used without Samsung's authorization.

9-10 MULTI_SMPS Schematic Diagram(40")

Last Modified Date : 2004.09.21

FREE VOLT 40"
INVERTER SMPS



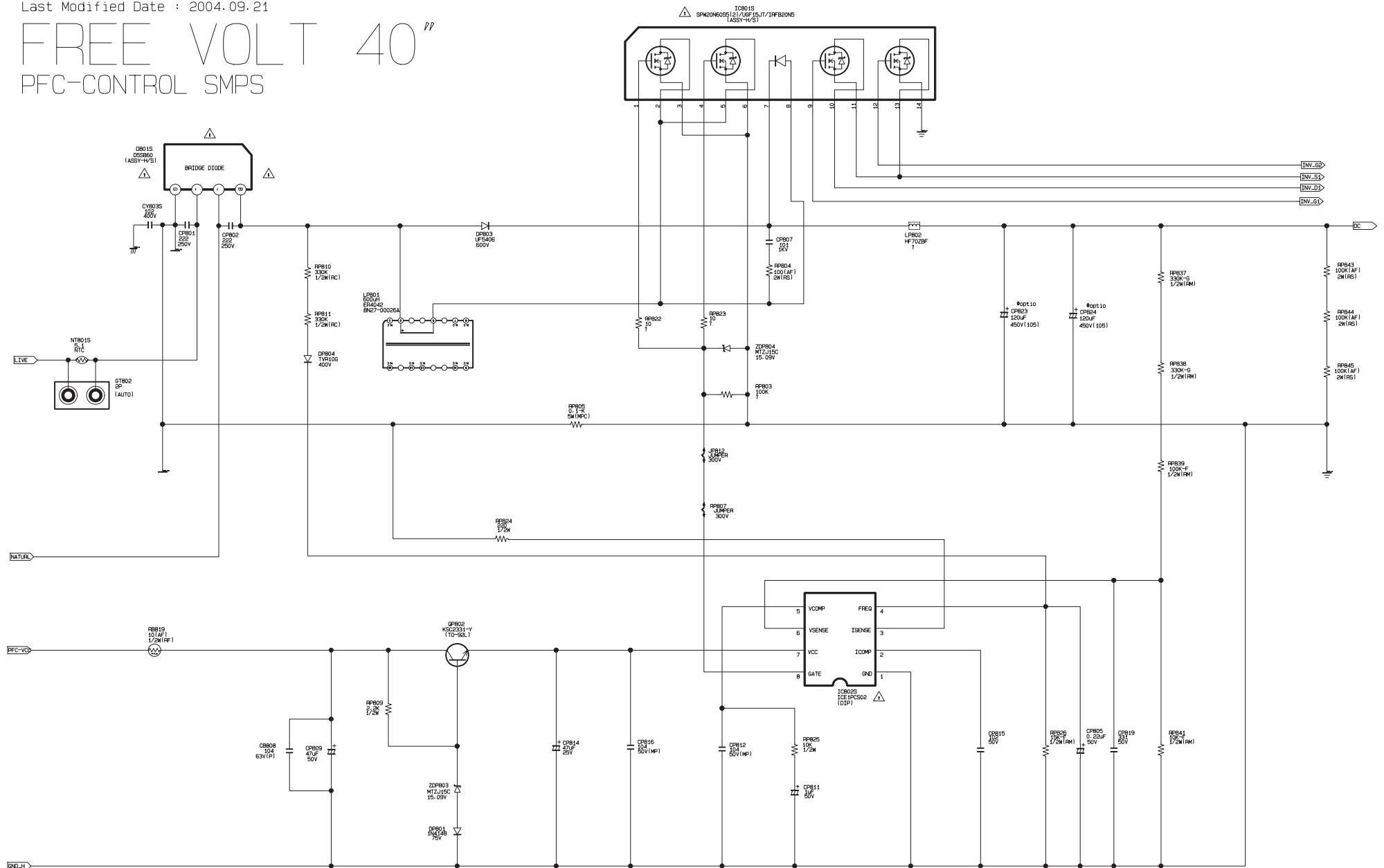
9 Schematic Diagrams

-This Document can not be used without Samsung's authorization.

9-11 PFC_CONTROL SMPS Schematic Diagram(40")

Last Modified Date : 2004.09.21

FREE VOLT 40"
PFC-CONTROL SMPS

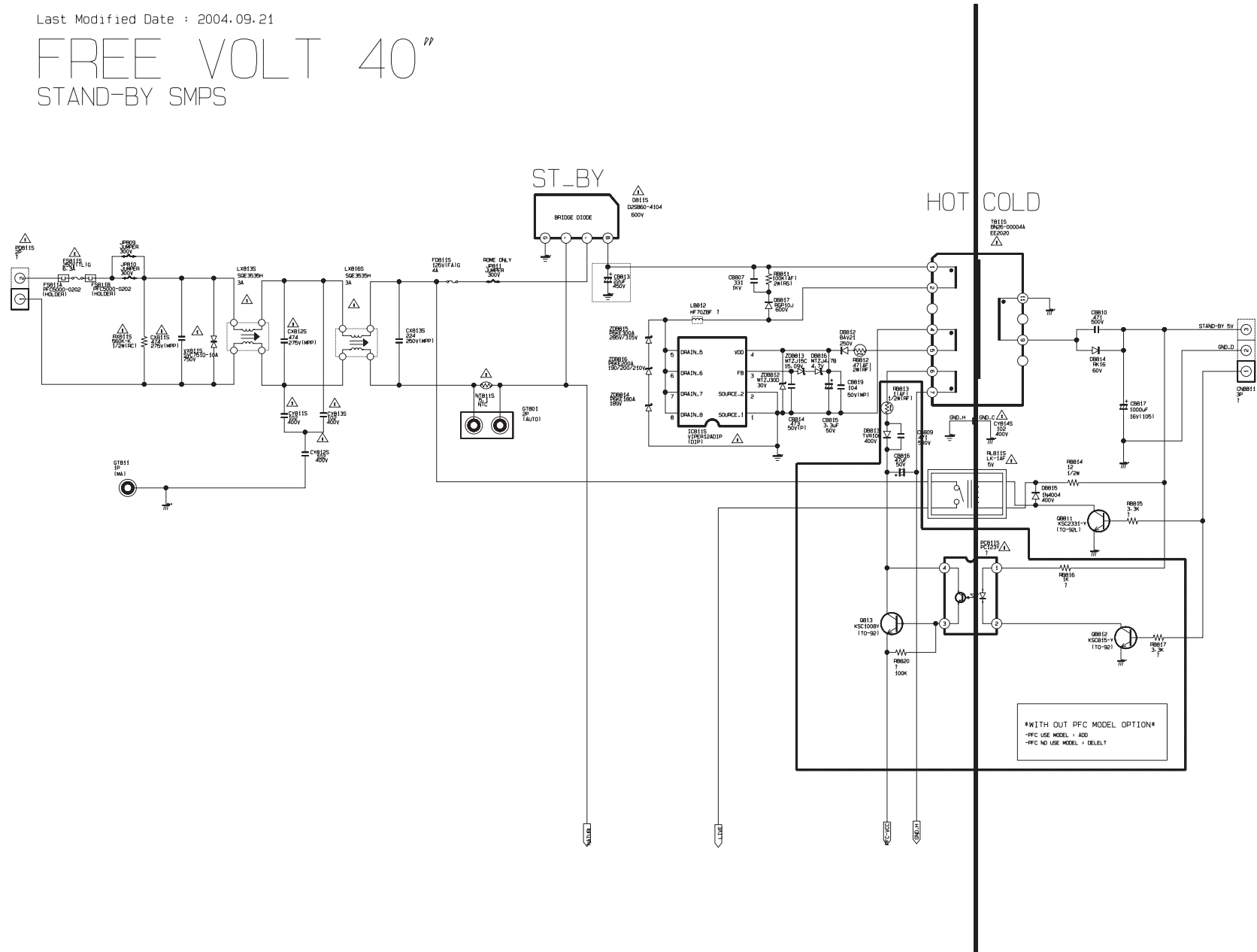


-This Document can not be used without Samsung's authorization.

9-12 STAND BY SMPS Schematic Diagram(40")

Last Modified Date : 2004.09.21

FREE VOLT 40"
STAND-BY SMPS



Memo