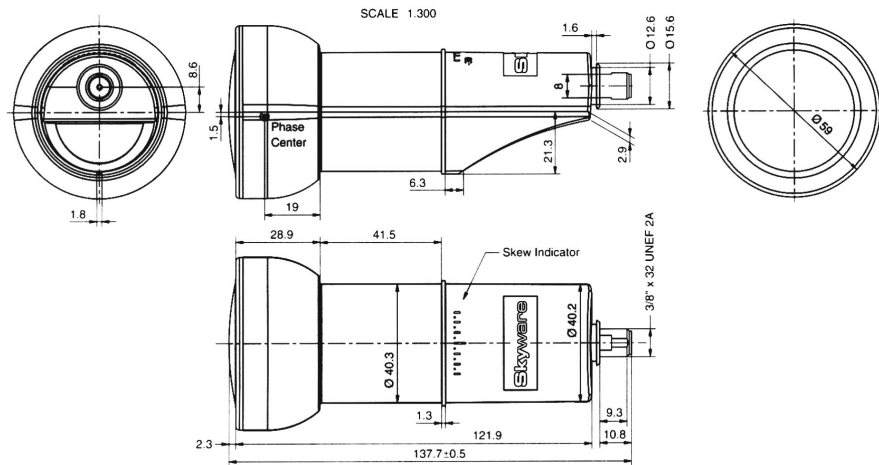
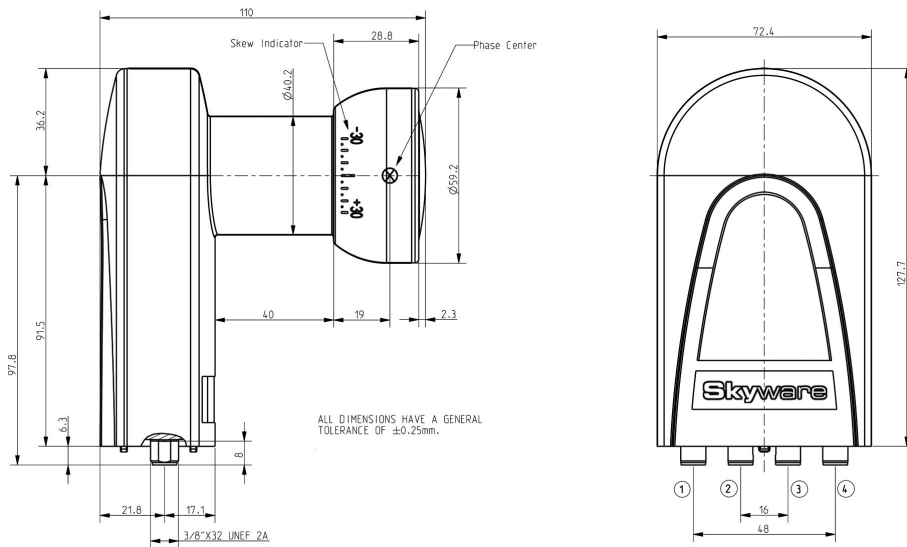


# Select-line

## SX1019



## SX719 family



All rights reserved. Reproduction in whole or in part is prohibited without the prior written consent of the copyright owner. The information presented in this document does not form part of any quotation or contract, is believed to be accurate and reliable and may be changed without notice. No liability will be accepted by the publisher for any consequence of its use. Publication there of does not convey nor imply any license under patent- or other industrial or intellectual property rights.

Skyware reseller:

Skyware Radio Systems GmbH  
 Kreuzweg 60  
 D-47809 Krefeld  
 Deutschland  
 Tel.: +49 2151 5350 370  
 Fax: +49 2151 5350 367  
 E-mail: [info@skywareradio.com](mailto:info@skywareradio.com)  
 Web: [www.skywareradio.com](http://www.skywareradio.com)





## LNB Converters

Best Value for Money

# Select-line

Formerly produced under the Philips brandname, the Skyware Select LNBS offer you excellent quality/price ratio products with clear benefits such as:

- Excellent performance
- Ease of installation
- Low power consumption
- Very high reliability
- Made in Germany



**SX719Q**  
universal quattro



**SX719QS**  
universal quad



**SX719DS**  
universal twin



**SX1019**  
universal single



# Select-line

## SX1019 universal single

### Features

#### Reliable

- Linear concept makes skewing position suitable for any global position
- 100 % waterproof, suitable for all situations and weather conditions
- Meets specifications for digital services according to DVB standards
- Meets ETSI and CE regulations
- Made in Germany

#### Easy to use

- Easy installation
- Fits 40 mm antenna mounting standards
- Cable accessories included (except SX1019)

#### Cost effective

- Very good price / quality ratio
- Low power consumption
- Small dimensions and low weight
- 24 month warranty period (from production date)



- to serve 1 satellite receiver

Our ultra modern production facility in Krefeld, Germany



### Technical Specifications SX1019

Noise Figure	0.6	dB
Cross Polar Isolation (XPD)	20	dB min.
	24	dB typical
Power Consumption	100	mA max
	70	mA typical
Conversion Gain	60	dB max
	55	dB typical
Weight	0.195	kg
Input Frequency	10.70 - 11.70	GHz
Range	11.70 - 12.75	GHz
Output Frequency	950 - 1950	MHz
Range	1100 - 2150	MHz
Local Oscillator	9.75	GHz Low Band
Frequencies	10.60	GHz High Band
Output Connector	F-type, 75	Ohm
Ambient Temperature	from -40 to +60	°C
Water Protection	According IP68	(total submersion)

Type	Description	Color	Catalogue Number
SX1019	Universal Single	Dark Grey RAL7016	3112 298 02031
		Light Grey RAL7004	3112 298 02041

**SX719DS**  
universal twin

**SX719QS**  
universal quad

**SX719Q**  
universal quattro



- to serve 2 satellite receivers independently

- to serve 4 satellite receivers independently

- to serve more than 4 users, via a master antenna installation

**Technical Specifications**  
**SX719 family**

Noise Figure	0.6	dB
Channel Isolation (XPD)	20	dB min.
	24	dB typical
Power Consumption	200	mA max
	180	mA typical
Conversion Gain	60	dB max
	55	dB typical
Weight	0.470	kg
Input Frequency Range	10.70 - 11.70	GHz
	11.70 - 12.75	GHz
Output Frequency Range	950 - 1950	MHz
	1100 - 2150	MHz
Local Oscillator Frequencies	9.75	GHz Low Band
	10.60	GHz High Band
Output Connector	F-type, 75	Ohm
Ambient Temperature	from -40 to +60	°C
Water Protection	According IP68	(total submersion)

Type	Description	Catalogue Number
SX719DS	Universal Twin	3112 298 02271
	Dark Grey RAL7016	
SX719QS	Universal Quad	3112 298 02231
	Dark Grey RAL7016	
SX719Q	Universal Quattro	3112 298 02191
	Dark Grey RAL7016	

