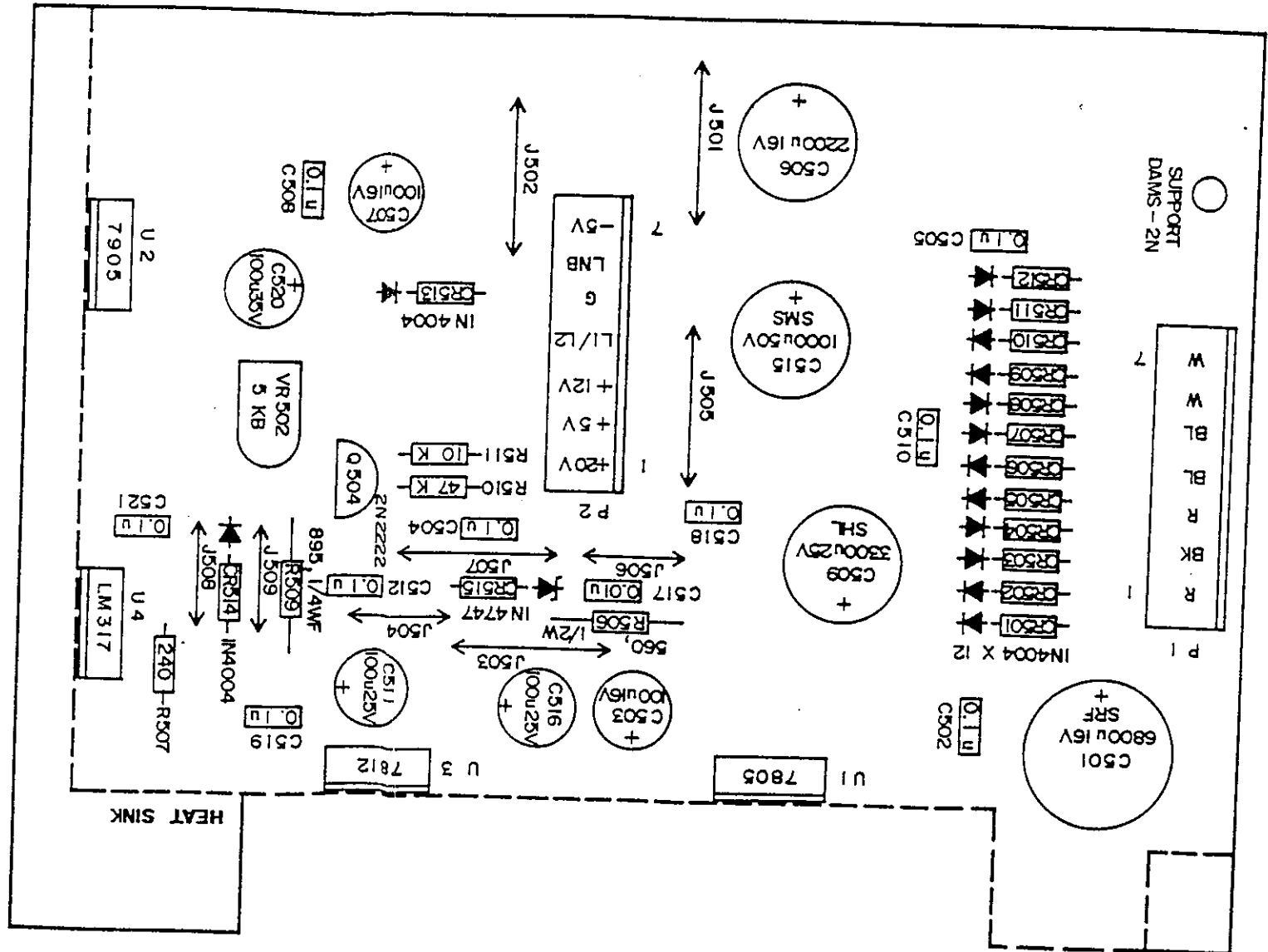


MODEL	SR - 500	APPR.	2/2/79
TITLE	POWER PARTS LOCATION DIAGRAM	CHECK.	2/2/79
DESIG.	2/2/79	DATE	90.11.22
DWG. NO.	0222-3113	REV. B/BI	1 OF 1
ASS'Y. NO.	0222-3113	DAE RYUNG IND. INC.	



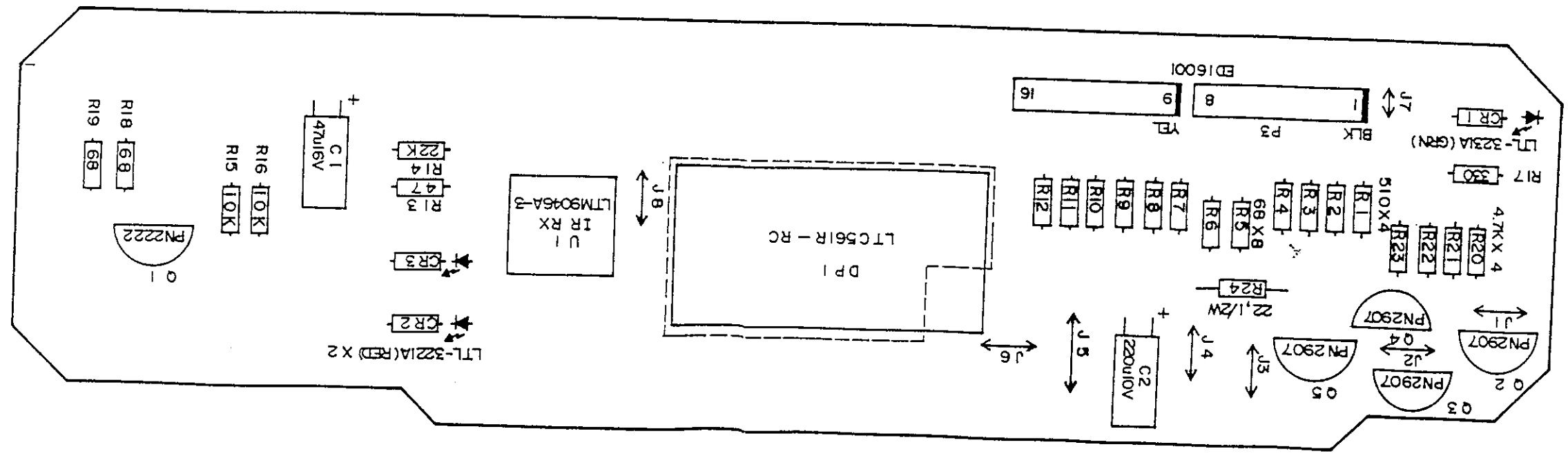
REVISIONS	DATE	DESCRIPTION	APP.

DWG. NO. 0222 - 3113

8 7 6 5 4 3 2 1 A B C D E F

MODEL	SR - 500	TITLE	FRONT PARTS LOCATION DIAGRAM
APPR.	7/2/88	CHECK.	7/2/88
DESIG.	7/2/88	DRAW.	7/2/88
DATE	91.1.28	DWG. NO.	0222 - 3112
		ASSY. NO.	3112

NOTE  
 1. C1, C2 ELECT CAP. IN BRN. 100  
 2. R24 IN BRN. RES. IN ALL 1/6W J. 0.1  
 3. CR1, CR2, CR3, DP1 : SPACER 1/8"

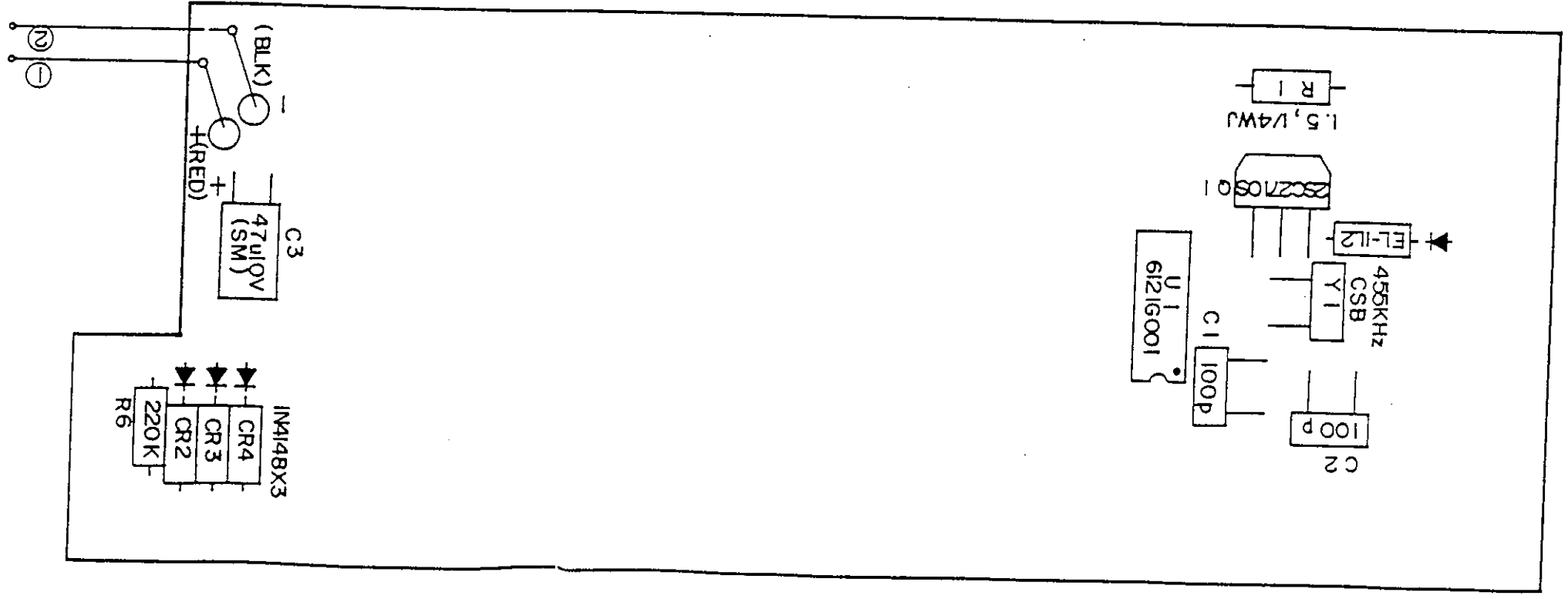


REVISIONS	DATE	APP.

DWG. NO.	0222 - 3112
----------	-------------

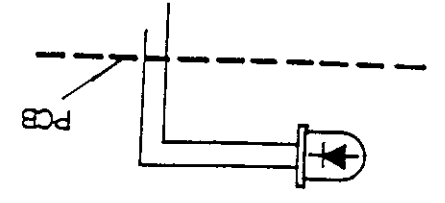
1 2 3 4 5 6 7 8

REVISIONS	
DATE	DESCRIPTION



NOTE 1. C1, C2, Y1, Q1, CR1E 5MHz 50V

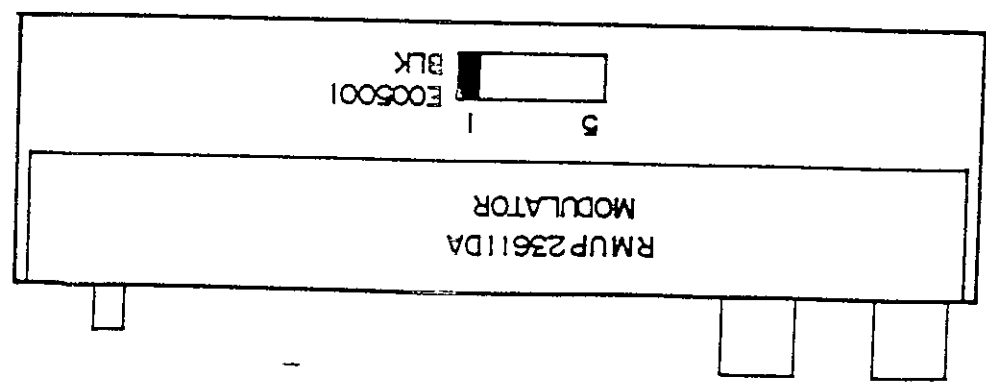
2. CR1



3. ① ② ≡ WIRE 變換 (WW02001)

MODEL	SR - 500
TITLE	REMOCON PARTS LOCATION DIAGRAM
CHECK	APR 76.7.19
DESIG.	
DRAW.	
DATE	90.10.18
DWG. NO.	0222-3114
ASS'Y NO.	
DAE RYUNG IND. INC. REV. A	
SHEET 1 OF 1	

MODEL	SR-500	TITLE	MOD. INTERFACE PARTS
APPR.	7/27/74	CHECK.	7/27/74
DESIG.	7/27/74	DRAW.	7/27/74
DWG. NO.	0222-3116	ASSY. NO.	
DATE	91.1.15		



REVISIONS	DATE	DESCRIPTION	APP.

DWG. NO. 0222 - 3116

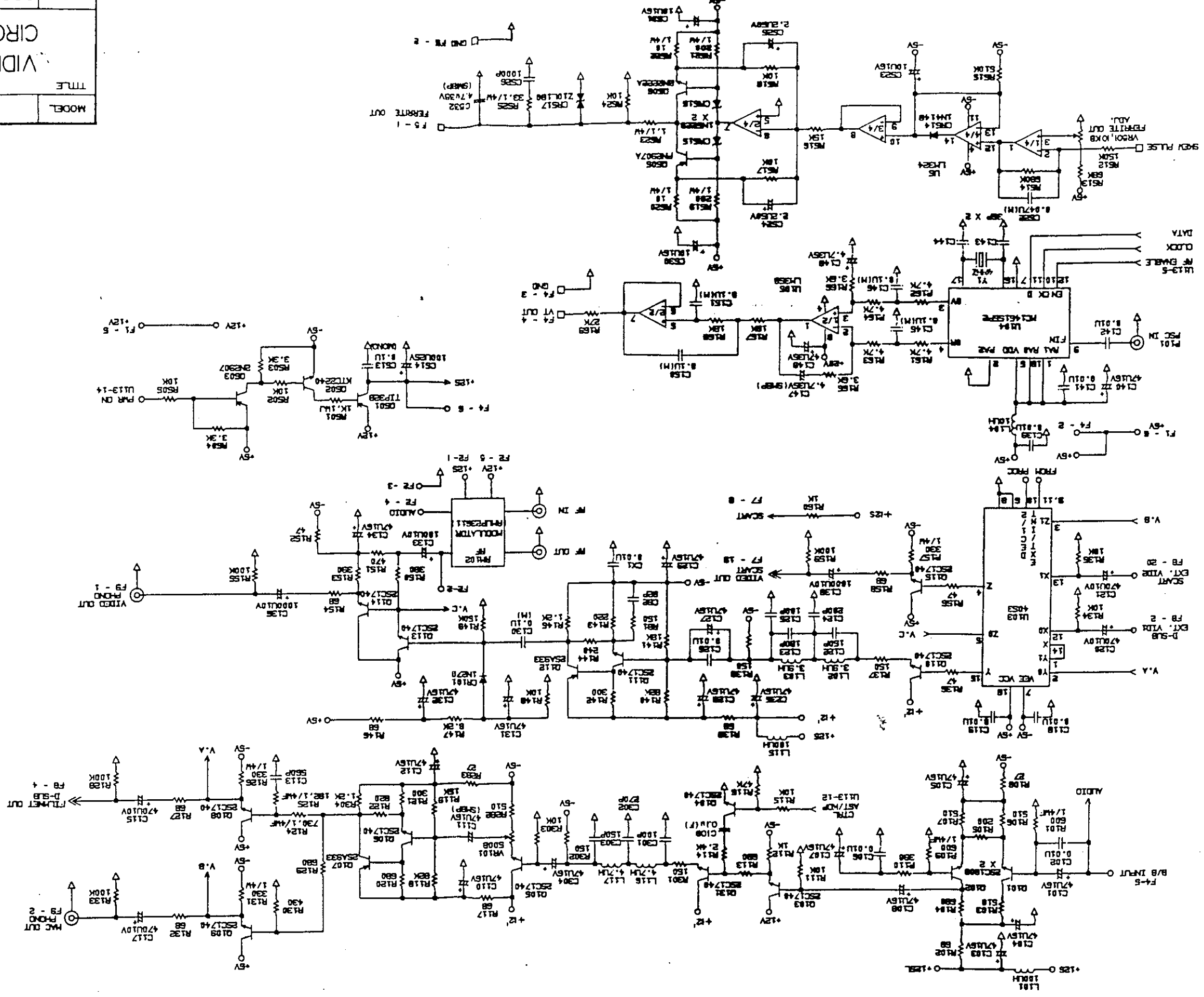
1 2 3 4 5 6 7 8

A B C D E F



REVISIONS		DATE	DESCRIPTION	APP.
10				
11				

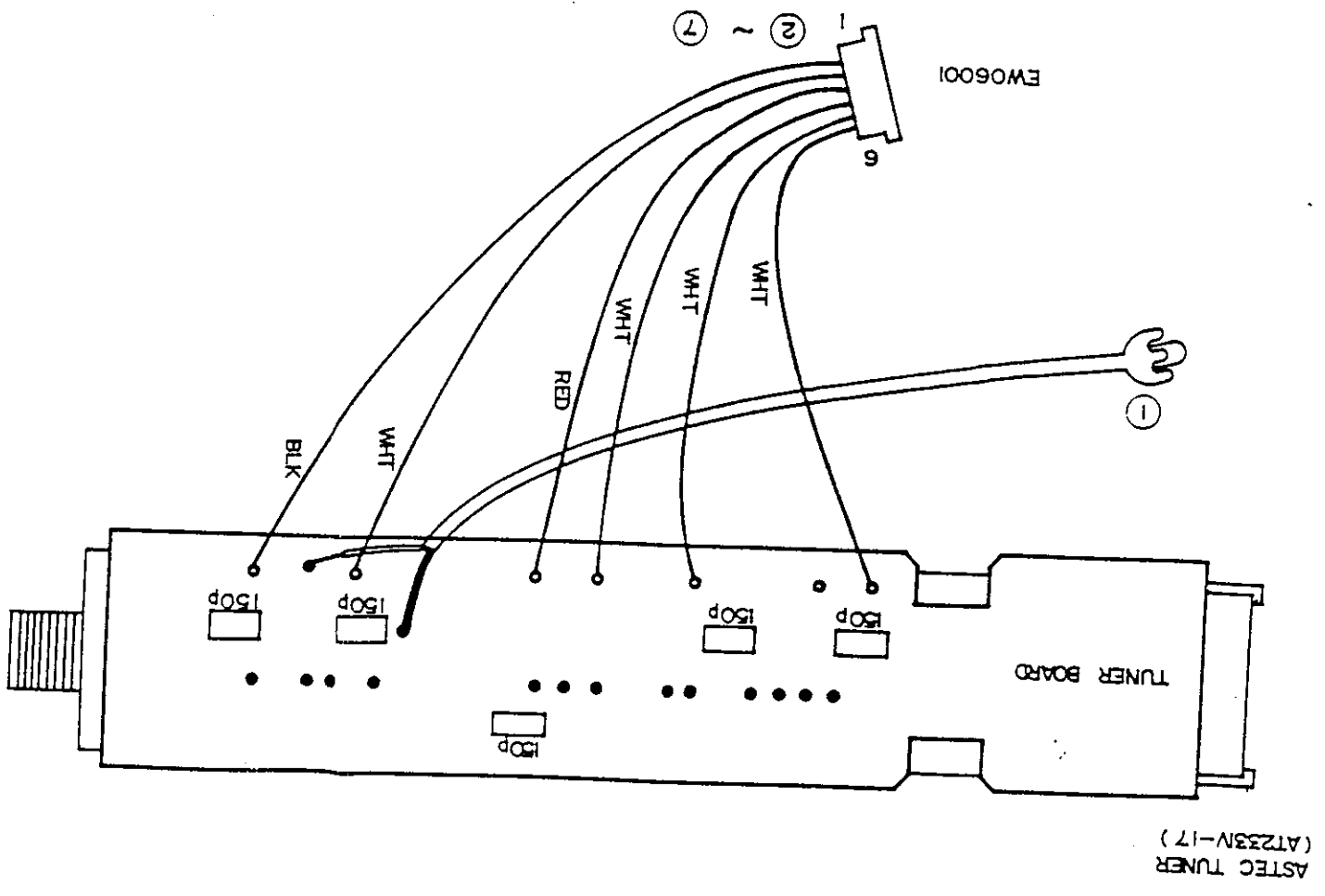
DWG. NO. 1012 - 222



MODEL	SR - 500	TITLE	VIDEO CIRCUIT DIAGRAM
APPR.	JLM	CHECK	ABZ
DESIGN	ABZ	DRAW	

REV	DATE	DESCRIPTION	APP.
8			
7			
6			
5			
4			
3			
2			
1			

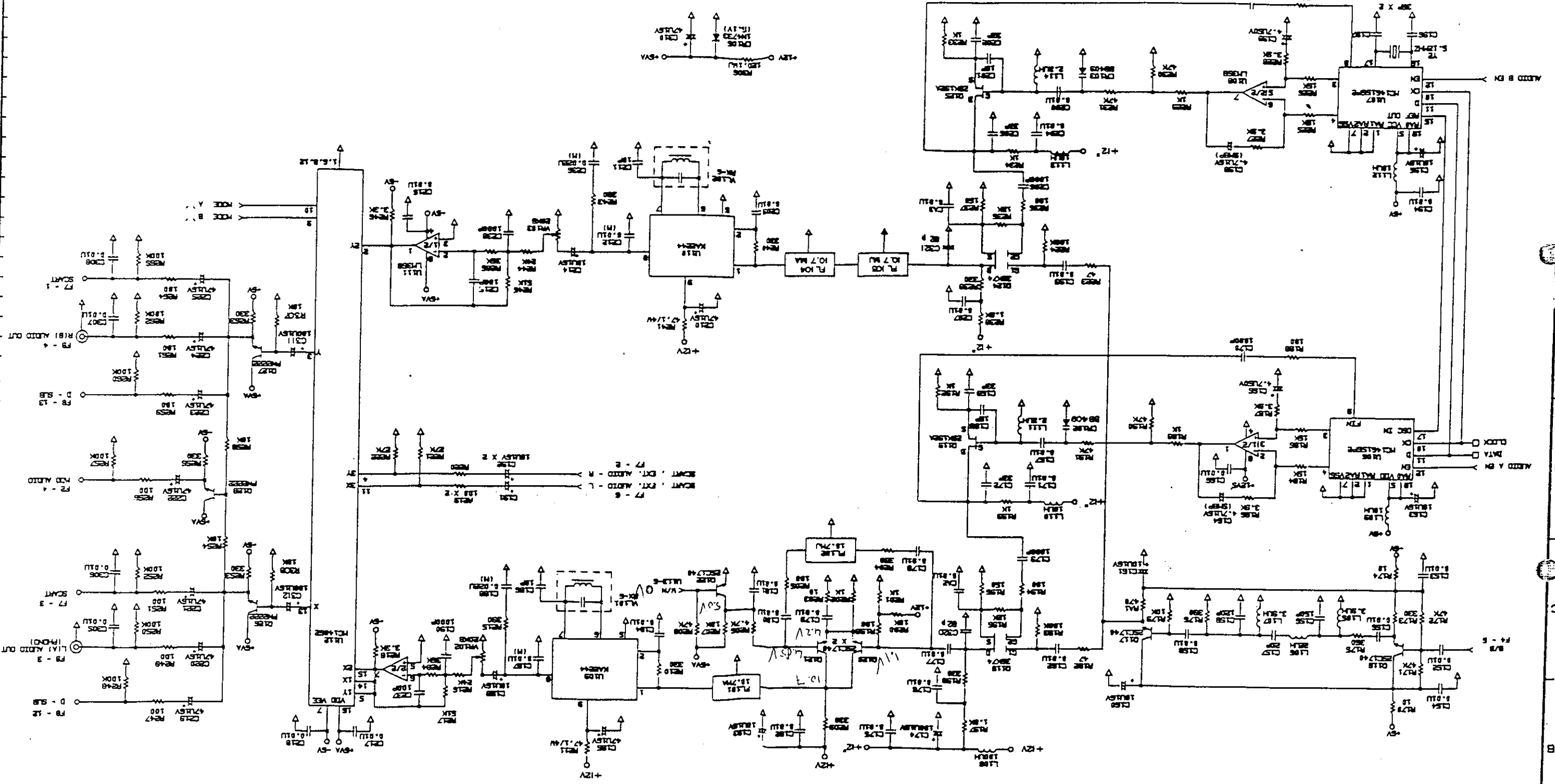
CONNECTION	NO	COLOR	LENGTH (m)	AWG
EW06001	①	BLK	1.50	COAXIAL 1553 #30
	②	BLK	1.25	"
	③	WHT	1.15	"
	④	RED	1.05	"
	⑤	WHT	0.95	"
	⑥	WHT	0.95	"
	⑦	WHT	0.75	UL1007 #26



MODEL	SR - 500
TITLE	ASTEC TUNER SUB PARTS LOCATION DIAGRAM
CHECK.	
DESIG.	
DRAW.	
DATE	90.11.12
DWG. NO.	0222-3115
ASS'Y NO.	
DAE RYUNG IND. INC. REV. A	

APPR. 7.21.90

MODEL	S R - 500		APPR	1/2/82
TITLE	AUDIO CIRCUIT DIAGRAM			
DWG. NO.	0222 - 2102	ASSY NO.		
DATE	90.11.30	REV. A/B	SHEET 1 OF 1	
DRAW				
CHECK	DESIGN			
DESIGN	DRAW			
DAE RYUNG IND. INC.				

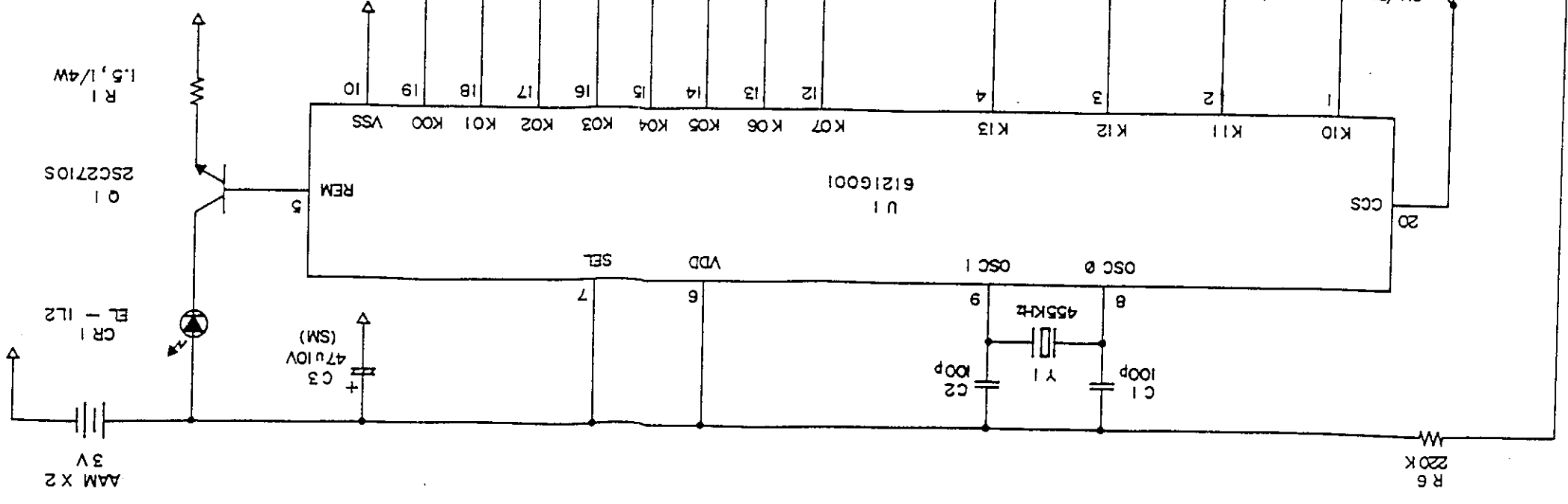


Narrow

REVISIONS	DATE	DESCRIPTION	APP

DWG NO | 02201-2102

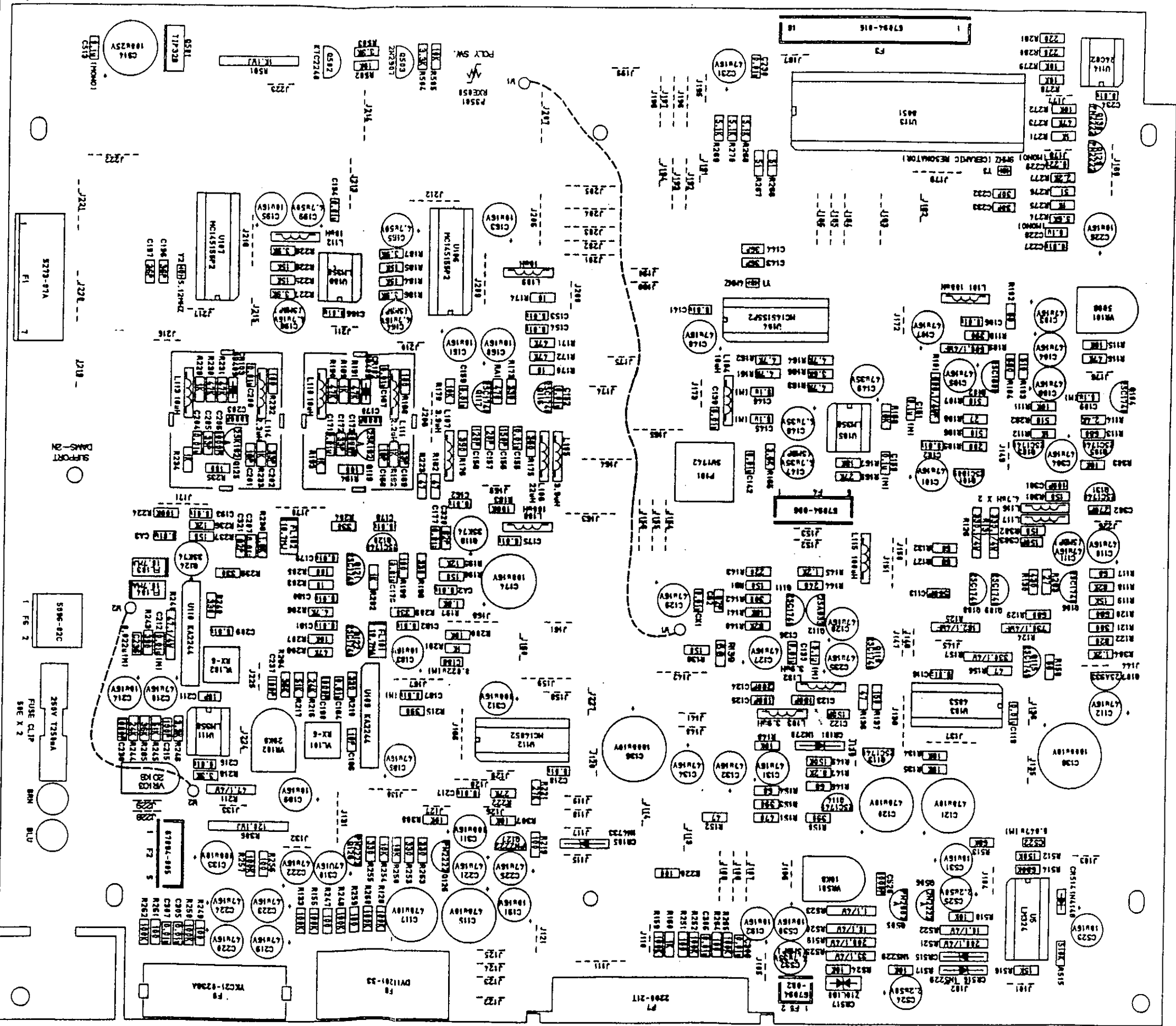
REVIEWS	DATE	DESCRIPTION	APP.



CH / DW	1C	TUN / DW	1D	SKEW / DW	1E		
CH / UP	18	TUN / UP	19	SKEW / UP	1A		
DECODER	14	A / V	15	V / H	16		
MUTE	10	0	11	BRIGHT	12		13
9	0C	8	0D	7	0E		0F
6	08	5	09	4	0A		0B
3	04	2	05	1	06		07
STAND BY	00	STORE	01	ERASE	02		03

MODEL	SR - 500	APPR.	DATE	190.9.6
TITLE	REMOTE CONTROL	CHECK.	DESIGN.	
	CIRCUIT DIAGRAM	DRAW.		
	DWG. NO. 0222-3105	ASSY. NO.		

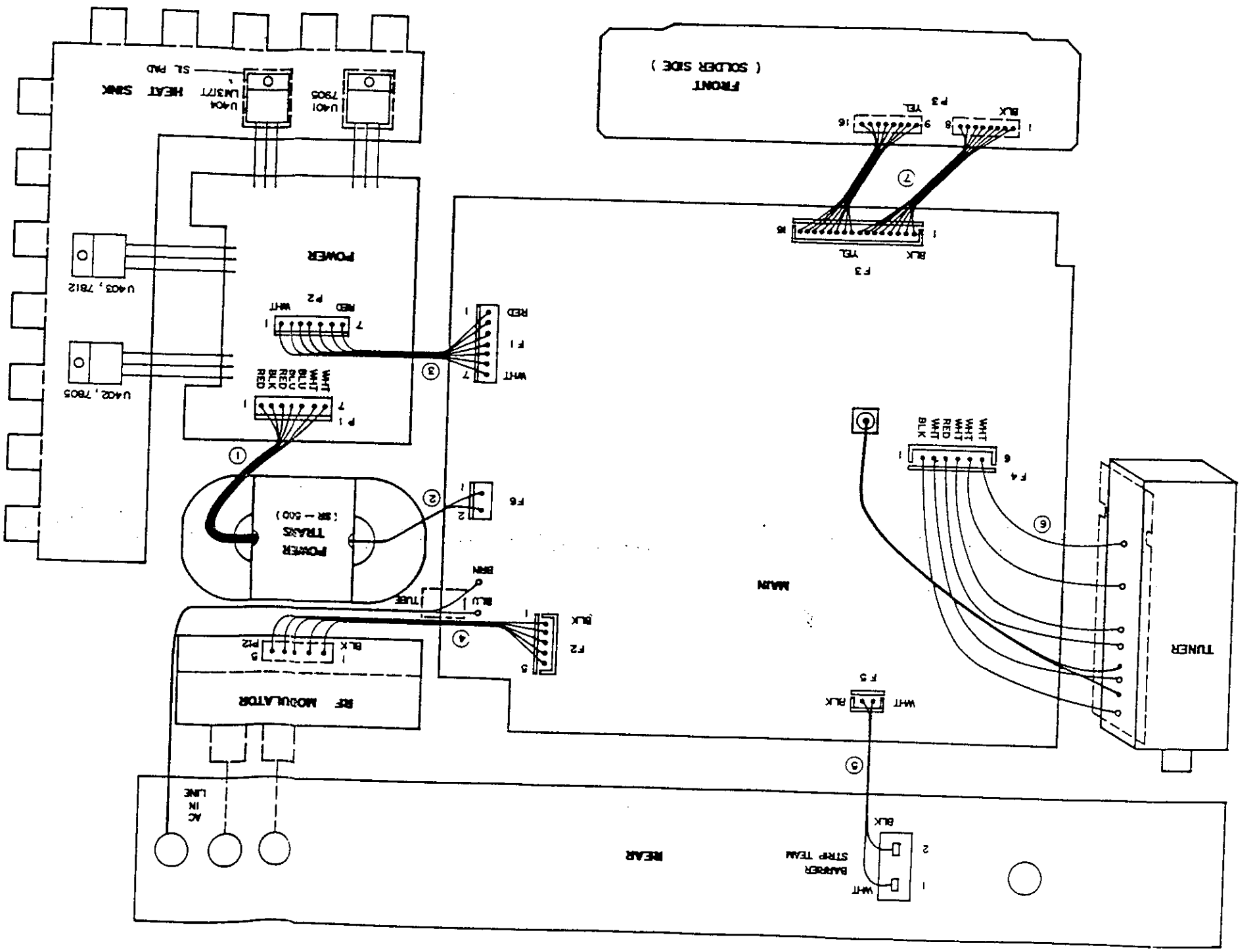
DATE	91.1.14
DRAW.	
DESK.	서성호
CHECK.	서성호
APPR.	서성호
MODEL	SR - 500
TIME	
MAIN PARTS LOCATION DIAGRAM	
ASSY. NO.	0222 - 2111
DWG. NO.	0222 - 2111



NOTE

1. 1. JUMP WIRE 170A (UL107 220)
2. JUMP WIRE 180A (UL107 220)
3. JUMP WIRE 190A (UL107 220)
4. 180A : J107-J108, J109, J110, J111, J112, J113, J114, J115, J116, J117, J118, J119, J120, J121, J122, J123, J124, J125, J126, J127, J128, J129, J130, J131, J132, J133, J134, J135, J136, J137, J138, J139, J140, J141, J142, J143, J144, J145, J146, J147, J148, J149, J150, J151, J152, J153, J154, J155, J156, J157, J158, J159, J160, J161, J162, J163, J164, J165, J166, J167, J168, J169, J170, J171, J172, J173, J174, J175, J176, J177, J178, J179, J180, J181, J182, J183, J184, J185, J186, J187, J188, J189, J190, J191, J192, J193, J194, J195, J196, J197, J198, J199, J200, J201, J202, J203, J204, J205, J206, J207, J208, J209, J210, J211, J212, J213, J214, J215, J216, J217, J218, J219, J220, J221, J222, J223, J224, J225, J226, J227, J228, J229, J230, J231, J232, J233, J234, J235, J236, J237, J238, J239, J240, J241, J242, J243, J244, J245, J246, J247, J248, J249, J250, J251, J252, J253, J254, J255, J256, J257, J258, J259, J260, J261, J262, J263, J264, J265, J266, J267, J268, J269, J270, J271, J272, J273, J274, J275, J276, J277, J278, J279, J280, J281, J282, J283, J284, J285, J286, J287, J288, J289, J290, J291, J292, J293, J294, J295, J296, J297, J298, J299, J300, J301, J302, J303, J304, J305, J306, J307, J308, J309, J310, J311, J312, J313, J314, J315, J316, J317, J318, J319, J320, J321, J322, J323, J324, J325, J326, J327, J328, J329, J330, J331, J332, J333, J334, J335, J336, J337, J338, J339, J340, J341, J342, J343, J344, J345, J346, J347, J348, J349, J350, J351, J352, J353, J354, J355, J356, J357, J358, J359, J360, J361, J362, J363, J364, J365, J366, J367, J368, J369, J370, J371, J372, J373, J374, J375, J376, J377, J378, J379, J380, J381, J382, J383, J384, J385, J386, J387, J388, J389, J390, J391, J392, J393, J394, J395, J396, J397, J398, J399, J400, J401, J402, J403, J404, J405, J406, J407, J408, J409, J410, J411, J412, J413, J414, J415, J416, J417, J418, J419, J420, J421, J422, J423, J424, J425, J426, J427, J428, J429, J430, J431, J432, J433, J434, J435, J436, J437, J438, J439, J440, J441, J442, J443, J444, J445, J446, J447, J448, J449, J450, J451, J452, J453, J454, J455, J456, J457, J458, J459, J460, J461, J462, J463, J464, J465, J466, J467, J468, J469, J470, J471, J472, J473, J474, J475, J476, J477, J478, J479, J480, J481, J482, J483, J484, J485, J486, J487, J488, J489, J490, J491, J492, J493, J494, J495, J496, J497, J498, J499, J500, J501, J502, J503, J504, J505, J506, J507, J508, J509, J510, J511, J512, J513, J514, J515, J516, J517, J518, J519, J520, J521, J522, J523, J524, J525, J526, J527, J528, J529, J530, J531, J532, J533, J534, J535, J536, J537, J538, J539, J540, J541, J542, J543, J544, J545, J546, J547, J548, J549, J550, J551, J552, J553, J554, J555, J556, J557, J558, J559, J560, J561, J562, J563, J564, J565, J566, J567, J568, J569, J570, J571, J572, J573, J574, J575, J576, J577, J578, J579, J580, J581, J582, J583, J584, J585, J586, J587, J588, J589, J590, J591, J592, J593, J594, J595, J596, J597, J598, J599, J600, J601, J602, J603, J604, J605, J606, J607, J608, J609, J610, J611, J612, J613, J614, J615, J616, J617, J618, J619, J620, J621, J622, J623, J624, J625, J626, J627, J628, J629, J630, J631, J632, J633, J634, J635, J636, J637, J638, J639, J640, J641, J642, J643, J644, J645, J646, J647, J648, J649, J650, J651, J652, J653, J654, J655, J656, J657, J658, J659, J660, J661, J662, J663, J664, J665, J666, J667, J668, J669, J670, J671, J672, J673, J674, J675, J676, J677, J678, J679, J680, J681, J682, J683, J684, J685, J686, J687, J688, J689, J690, J691, J692, J693, J694, J695, J696, J697, J698, J699, J700, J701, J702, J703, J704, J705, J706, J707, J708, J709, J710, J711, J712, J713, J714, J715, J716, J717, J718, J719, J720, J721, J722, J723, J724, J725, J726, J727, J728, J729, J730, J731, J732, J733, J734, J735, J736, J737, J738, J739, J740, J741, J742, J743, J744, J745, J746, J747, J748, J749, J750, J751, J752, J753, J754, J755, J756, J757, J758, J759, J760, J761, J762, J763, J764, J765, J766, J767, J768, J769, J770, J771, J772, J773, J774, J775, J776, J777, J778, J779, J780, J781, J782, J783, J784, J785, J786, J787, J788, J789, J790, J791, J792, J793, J794, J795, J796, J797, J798, J799, J800, J801, J802, J803, J804, J805, J806, J807, J808, J809, J810, J811, J812, J813, J814, J815, J816, J817, J818, J819, J820, J821, J822, J823, J824, J825, J826, J827, J828, J829, J830, J831, J832, J833, J834, J835, J836, J837, J838, J839, J840, J841, J842, J843, J844, J845, J846, J847, J848, J849, J850, J851, J852, J853, J854, J855, J856, J857, J858, J859, J860, J861, J862, J863, J864, J865, J866, J867, J868, J869, J870, J871, J872, J873, J874, J875, J876, J877, J878, J879, J880, J881, J882, J883, J884, J885, J886, J887, J888, J889, J890, J891, J892, J893, J894, J895, J896, J897, J898, J899, J900, J901, J902, J903, J904, J905, J906, J907, J908, J909, J910, J911, J912, J913, J914, J915, J916, J917, J918, J919, J920, J921, J922, J923, J924, J925, J926, J927, J928, J929, J930, J931, J932, J933, J934, J935, J936, J937, J938, J939, J940, J941, J942, J943, J944, J945, J946, J947, J948, J949, J950, J951, J952, J953, J954, J955, J956, J957, J958, J959, J960, J961, J962, J963, J964, J965, J966, J967, J968, J969, J970, J971, J972, J973, J974, J975, J976, J977, J978, J979, J980, J981, J982, J983, J984, J985, J986, J987, J988, J989, J990, J991, J992, J993, J994, J995, J996, J997, J998, J999, J1000, J1001, J1002, J1003, J1004, J1005, J1006, J1007, J1008, J1009, J1010, J1011, J1012, J1013, J1014, J1015, J1016, J1017, J1018, J1019, J1020, J1021, J1022, J1023, J1024, J1025, J1026, J1027, J1028, J1029, J1030, J1031, J1032, J1033, J1034, J1035, J1036, J1037, J1038, J1039, J1040, J1041, J1042, J1043, J1044, J1045, J1046, J1047, J1048, J1049, J1050, J1051, J1052, J1053, J1054, J1055, J1056, J1057, J1058, J1059, J1060, J1061, J1062, J1063, J1064, J1065, J1066, J1067, J1068, J1069, J1070, J1071, J1072, J1073, J1074, J1075, J1076, J1077, J1078, J1079, J1080, J1081, J1082, J1083, J1084, J1085, J1086, J1087, J1088, J1089, J1090, J1091, J1092, J1093, J1094, J1095, J1096, J1097, J1098, J1099, J1100, J1101, J1102, J1103, J1104, J1105, J1106, J1107, J1108, J1109, J1110, J1111, J1112, J1113, J1114, J1115, J1116, J1117, J1118, J1119, J1120, J1121, J1122, J1123, J1124, J1125, J1126, J1127, J1128, J1129, J1130, J1131, J1132, J1133, J1134, J1135, J1136, J1137, J1138, J1139, J1140, J1141, J1142, J1143, J1144, J1145, J1146, J1147, J1148, J1149, J1150, J1151, J1152, J1153, J1154, J1155, J1156, J1157, J1158, J1159, J1160, J1161, J1162, J1163, J1164, J1165, J1166, J1167, J1168, J1169, J1170, J1171, J1172, J1173, J1174, J1175, J1176, J1177, J1178, J1179, J1180, J1181, J1182, J1183, J1184, J1185, J1186, J1187, J1188, J1189, J1190, J1191, J1192, J1193, J1194, J1195, J1196, J1197, J1198, J1199, J1200, J1201, J1202, J1203, J1204, J1205, J1206, J1207, J1208, J1209, J1210, J1211, J1212, J1213, J1214, J1215, J1216, J1217, J1218, J1219, J1220, J1221, J1222, J1223, J1224, J1225, J1226, J1227, J1228, J1229, J1230, J1231, J1232, J1233, J1234, J1235, J1236, J1237, J1238, J1239, J1240, J1241, J1242, J1243, J1244, J1245, J1246, J1247, J1248, J1249, J1250, J1251, J1252, J1253, J1254, J1255, J1256, J1257, J1258, J1259, J1260, J1261, J1262, J1263, J1264, J1265, J1266, J1267, J1268, J1269, J1270, J1271, J1272, J1273, J1274, J1275, J1276, J1277, J1278, J1279, J1280, J1281, J1282, J1283, J1284, J1285, J1286, J1287, J1288, J1289, J1290, J1291, J1292, J1293, J1294, J1295, J1296, J1297, J1298, J1299, J1300, J1301, J1302, J1303, J1304, J1305, J1306, J1307, J1308, J1309, J1310, J1311, J1312, J1313, J1314, J1315, J1316, J1317, J1318, J1319, J1320, J1321, J1322, J1323, J1324, J1325, J1326, J1327, J1328, J1329, J1330, J1331, J1332, J1333, J1334, J1335, J1336, J1337, J1338, J1339, J1340, J1341, J1342, J1343, J1344, J1345, J1346, J1347, J1348, J1349, J1350, J1351, J1352, J1353, J1354, J1355, J1356, J1357, J1358, J1359, J1360, J1361, J1362, J1363, J1364, J1365, J1366, J1367, J1368, J1369, J1370, J1371, J1372, J1373, J1374, J1375, J1376, J1377, J1378, J1379, J1380, J1381, J1382, J1383, J1384, J1385, J1386, J1387, J1388, J1389, J1390, J1391, J1392, J1393, J1394, J1395, J1396, J1397, J1398, J1399, J1400, J1401, J1402, J1403, J1404, J1405, J1406, J1407, J1408, J1409, J1410, J1411, J1412, J1413, J1414, J1415, J1416, J1417, J1418, J1419, J1420, J1421, J1422, J1423, J1424, J1425, J1426, J1427, J1428, J1429, J1430, J1431, J1432, J1433, J1434, J1435, J1436, J1437, J1438, J1439, J1440, J1441, J1442, J1443, J1444, J1445, J1446, J1447, J1448, J1449, J1450, J1451, J1452, J1453, J1454, J1455, J1456, J1457, J1458, J1459, J1460, J1461, J1462, J1463, J1464, J1465, J1466, J1467, J1468, J1469, J1470, J1471, J1472, J1473, J1474, J1475, J1476, J1477, J1478, J1479, J1480, J1481, J1482, J1483, J1484, J1485, J1486, J1487, J1488, J1489, J1490, J1491, J1492, J1493, J1494, J1495, J1496, J1497, J1498, J1499, J1500, J1501, J1502, J1503, J1504, J1505, J1506, J1507, J1508, J1509, J1510, J1511, J1512, J1513, J1514, J1515, J1516, J1517, J1518, J1519, J1520, J1521, J1522, J1523, J1524, J1525, J1526, J1527, J1528, J1529, J1530, J1531, J1532, J1533, J1534, J1535, J1536, J1537, J1538, J1539, J1540, J1541, J1542, J1543, J1544, J1545, J1546, J1547, J1548, J1549, J1550, J1551, J1552, J1553, J1554, J1555, J1556, J1557, J1558, J1559, J1560, J1561, J1562, J1563, J1564, J1565, J1566, J1567, J1568, J1569, J1570, J1571, J1572, J1573, J1574, J1575, J1576, J1577, J1578, J1579, J1580, J1581, J1582, J1583, J1584, J1585, J1586, J1587, J1588, J1589, J1590, J1591, J1592, J1593, J1594, J1595, J1596, J1597, J1598, J1599, J1600, J1601, J1602, J1603, J1604, J1605, J1606, J1607, J1608, J1609, J1610, J1611, J1612, J1613, J1614, J1615, J1616, J1617, J1618, J1619, J1620, J1621, J1622, J1623, J1624, J1625, J1626, J1627, J1628, J1629, J1630, J1





CONNECTION	NO	COLOR	LENGTH (mm)	TRICKNESS(AWG)
TRANS — PWR(P1)	①	1. RED 2. BLK 3. RED 4. BLU 5. BLU 6. WHT 7. WHT	130	UL007 #22
TRANS — MAIN(F6)	②	1. BLK 2. ORN	100	UL1672 #22
ED 07001 (MAIN — PWR) F1	③	1. RED 2. BLK 3. RED 4. BLU 5. BLU 6. WHT 7. WHT	120 ± 5	UL007 #22
MAIN (F2) — RF MOD	④	1. BLK 2. 3. WHT	100 ± 5	"
ED 05001 MAIN (F5) — TUNER	⑤	1. WHT 2. BLK	80 ± 5	"
EW 02001 F1	⑥	1. BLK 2. WHT 3. RED 4. WHT 5. WHT 6. WHT	1.25 2.115 3.105 4.5.55 6.75	"
MAIN (F3) — P3	⑦	1. BLK 2. 8. WHT 9. YEL 10. BL. WHT	150 ± 5	UL1007 #26
ED 16001 (MAIN — FRONT)	⑧	1. BLK 2. 8. WHT	150	1553 #30
COAXIAL				

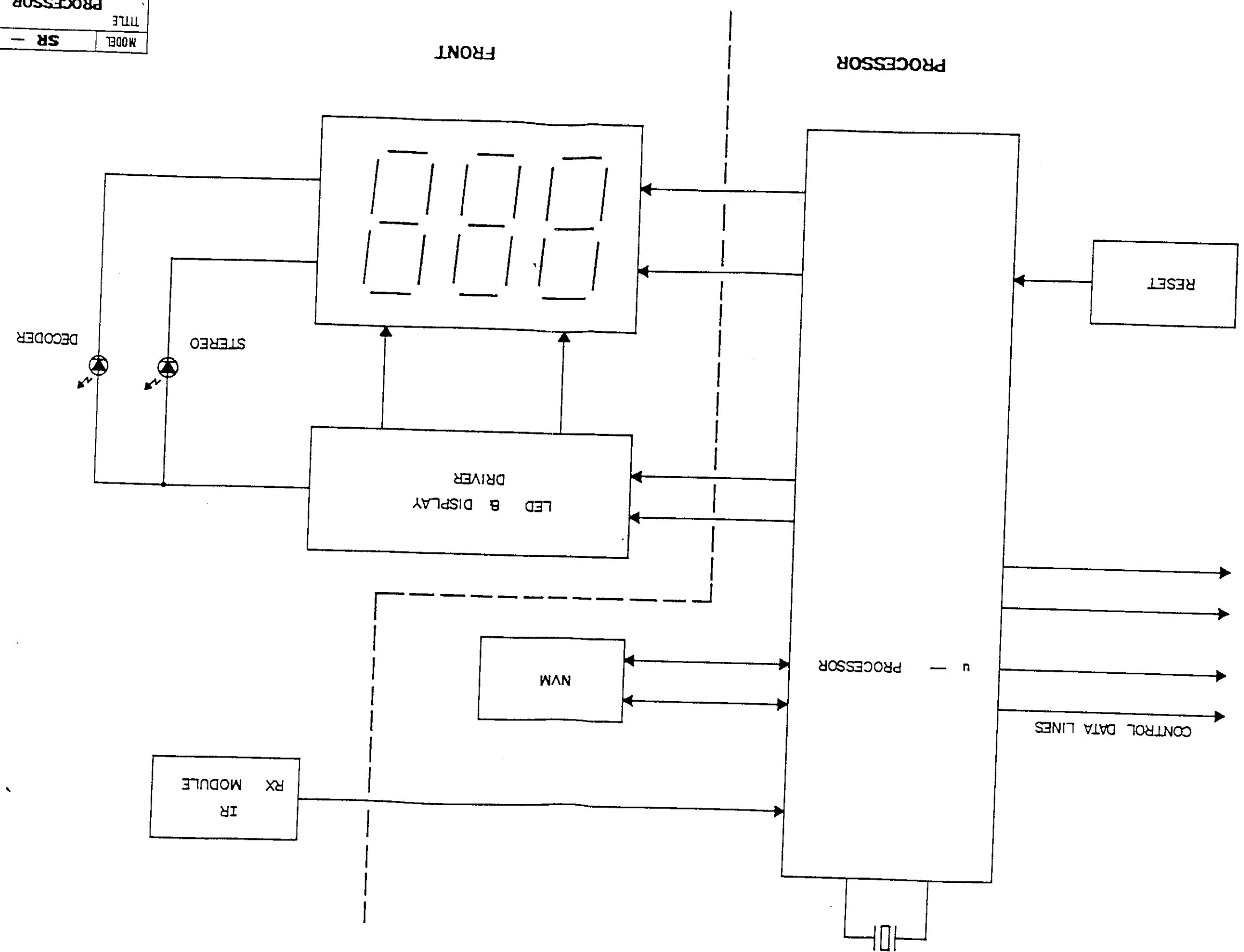
WIRING DIAGRAM

SR — 500

MODEL: SR — 500  
 TITLE: WIRING DIAGRAM  
 APPR: [Signature]  
 CHECK: [Signature]  
 DESIG: [Signature]  
 DRAW: 이기우  
 DATE: 90.11.12  
 DWG. NO: 0222-2121  
 ASSY. NO: [Blank]

REVISIONS	DATE	DESCRIPTION	APP

DATE	90.11.20
DWG. NO.	0222-3132
ASSY. NO.	
TITLE	PROCESSOR & FRONT BLOCK DIAGRAM
CHECK.	02/2/91
DESIG.	02/2/91
DRAW.	02/2/91
MODEL	SR - 500
APPR.	02/2/91

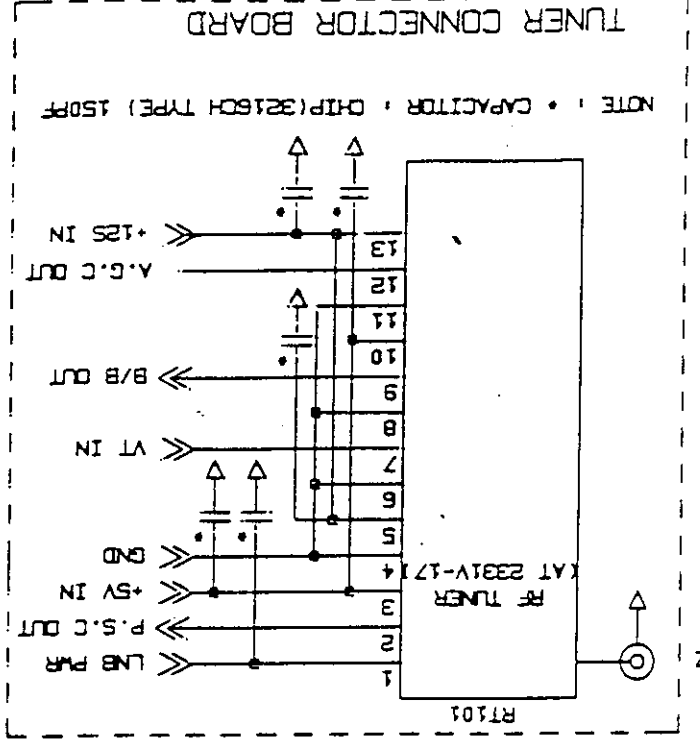
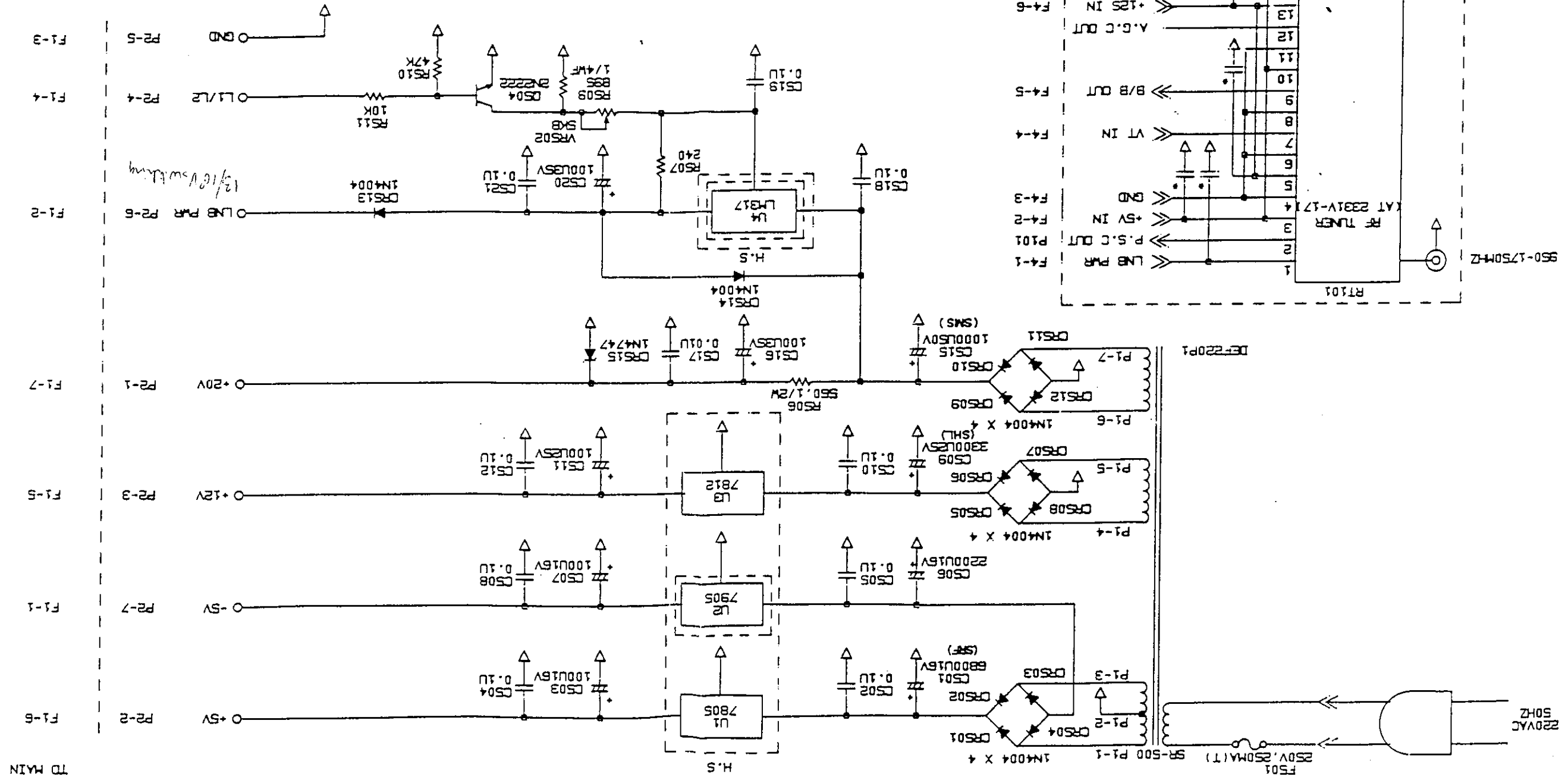


REVISIONS	DATE	DESCRIPTION	APP.

DWG. NO. 0222 - 3132

A  
B  
C  
D  
E  
F

DATE	90.11.20	DWG. NO.	0222-2104
DESIGNER	2/2/82	ASSTY. NO.	2104
CHECKER	2/2/82	POWER CIRCUIT DIAGRAM	
APPROVER	2/2/82	MODEL	SR - 500

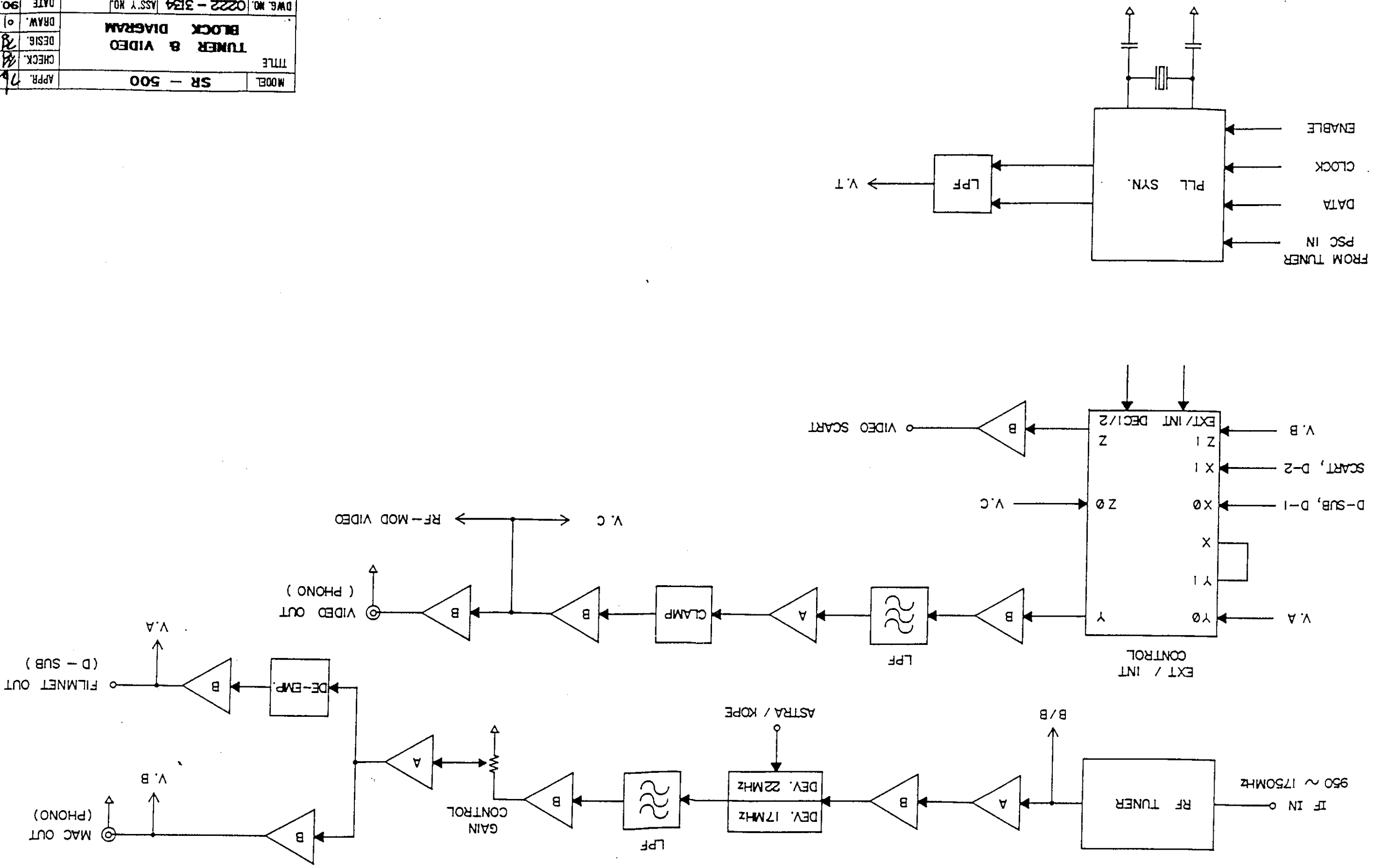


TO MAIN

REVISIONS	DATE	DESCRIPTION	APP

DWG. NO. 0222-2104

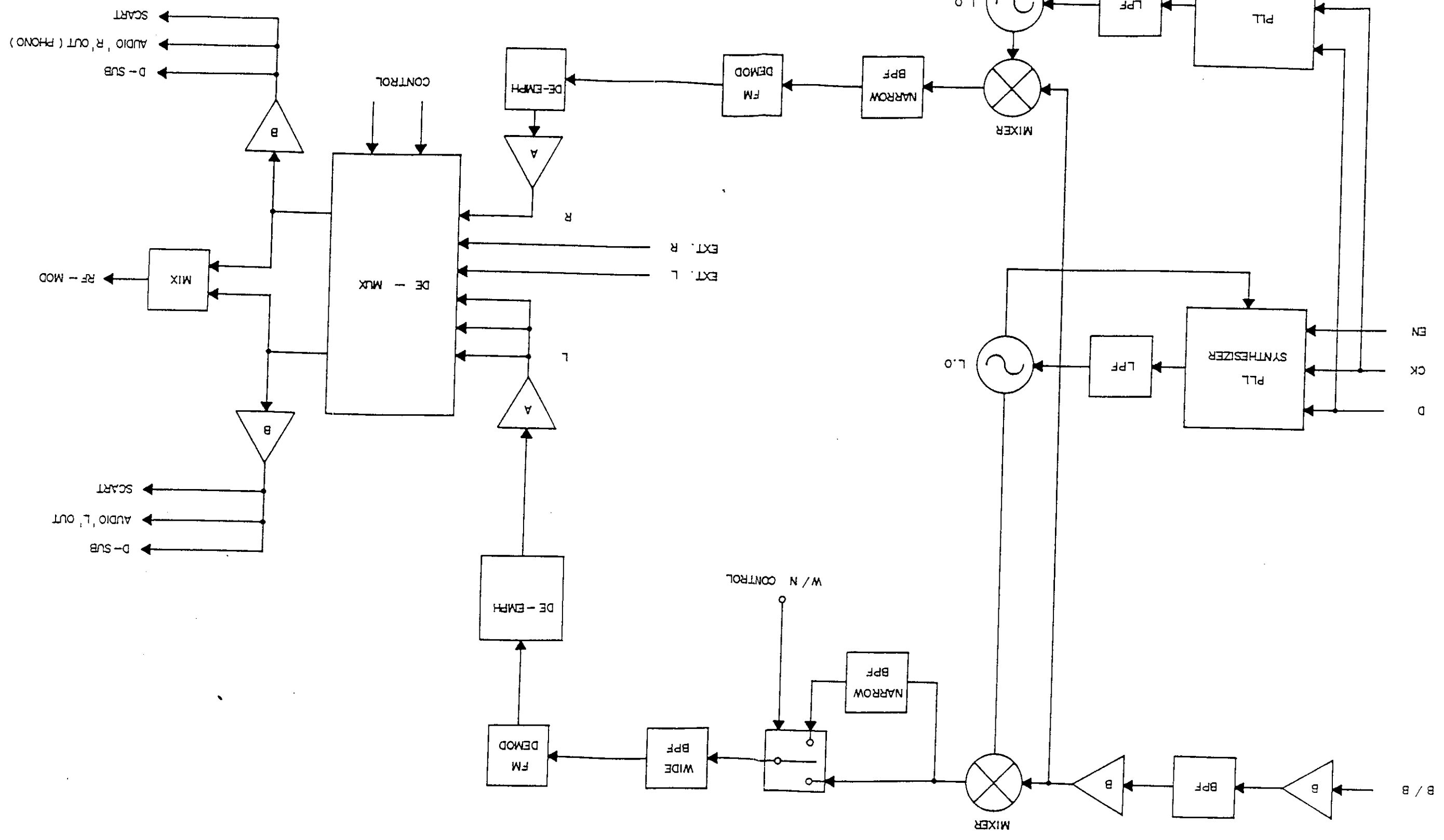
MODEL	SR - 500	TITLE	TUNER & VIDEO BLOCK DIAGRAM
APPR.	76222	CHECK.	8/8/88
DESIG.	8/8/88	DRAW.	이재우
DATE	90.11.20	DWG. NO.	0222 - 3134
SHEET	1 OF 1	REV. A	DAE RYUNG IND. INC.



REVISIONS	DATE	DESCRIPTION	APP.

DWG. NO. 0222 - 3134

MODEL	SHEET 1 OF 1
TITLE	SR - 500
APP. [Signature]	DATE 90.11.20
CHECK. [Signature]	DWG. NO. 0222-3133
DESIG. [Signature]	ASS'Y. NO.
AUDIO BLOCK DIAGRAM	
DAE RYUNG IND. INC. REV. A	



REVISIONS	DATE	DESCRIPTION	APP.