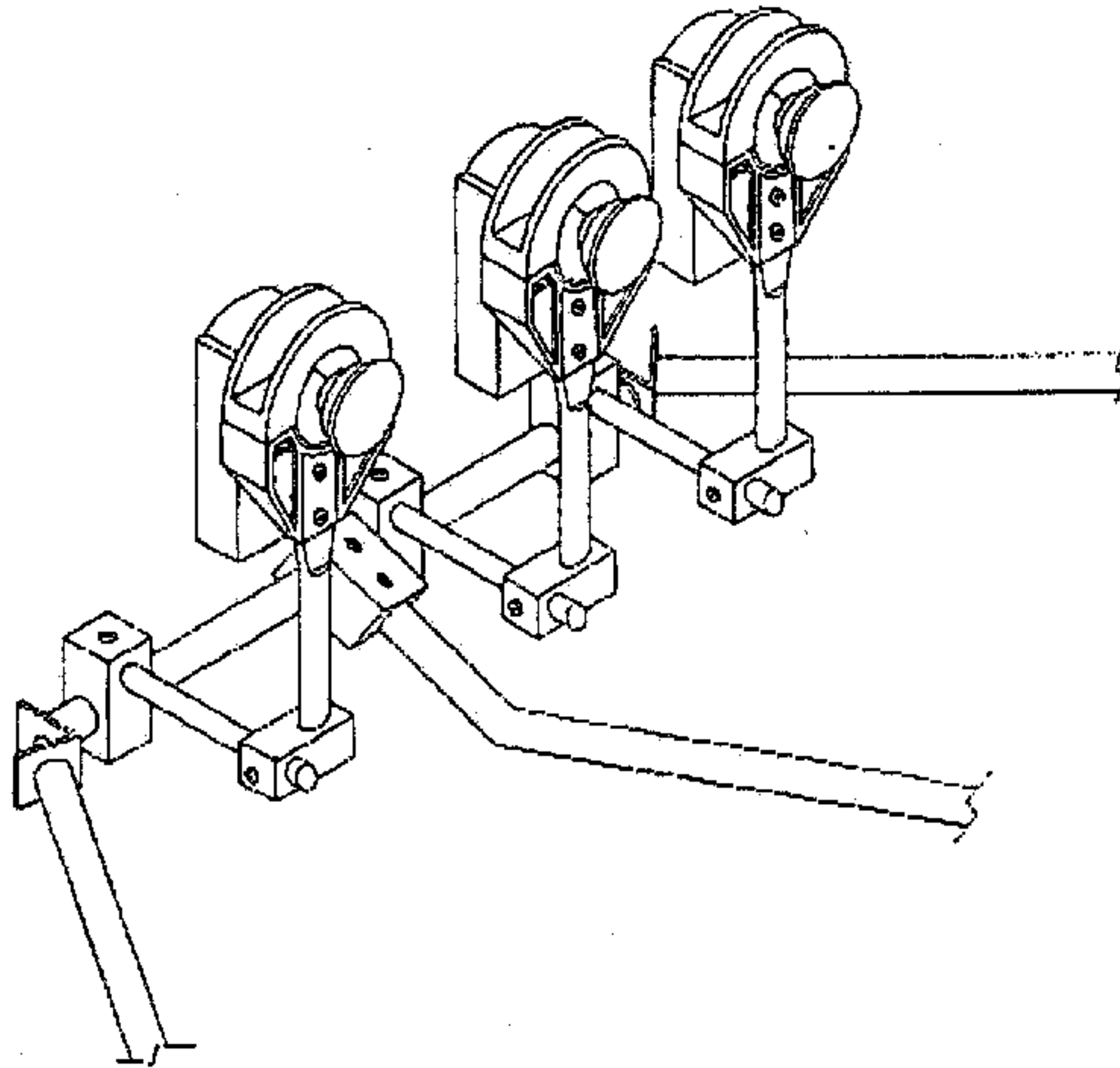


Channel Master[®]



MODEL 6067 MULTI-FEED ASSEMBLY KIT

The Channel Master 3 leg Multi-Feed kit is available for use with a wide range of antenna's ranging from 0.9M to 1.80M.

With its rigid design, constructed from metal & plastic it will give exceptional performance and durability in a wide range of applications.

The Multi-Feed kit has been designed to allow multu satelite signal reception using a single fixed antenna.

SPECIFICATIONS

The following table is a guide to minimum and maximum recommended spacings between satellites, attainable with the multifeed

Antenna Size (m)	Minimum Spacing	Maximum Spacing
0.90	6.0 degrees	+/- 10 degrees
1.00	4.5 degrees	+/- 15 degrees
1.20	3.0 degrees	+/- 25 degrees
1.80	3.0 degrees	+/- 10 degrees

- * The Channel Master Multi-Feed kit comes complete with 3 off 40mm dia LNBF clamps
- * Adaptors available to suit a wide range of LNBF's
- * Full instructions for ease of assembly
- * Lightweight and easy to handle components
- * Compact packaging

The Channel Master Multi-Feed has been specially designed to allow the user to position their LNBF's in any possible position due to the versatility & moveable capabilities of the Multi-Feed assembly.

