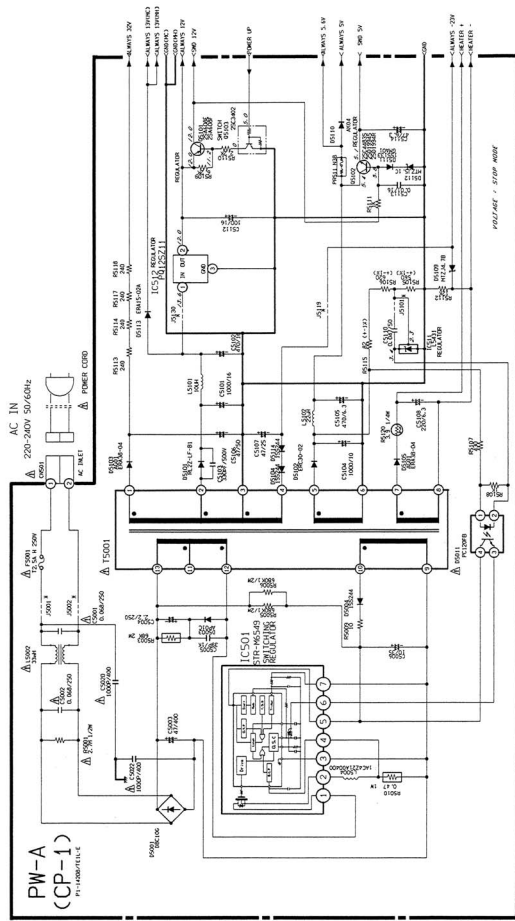
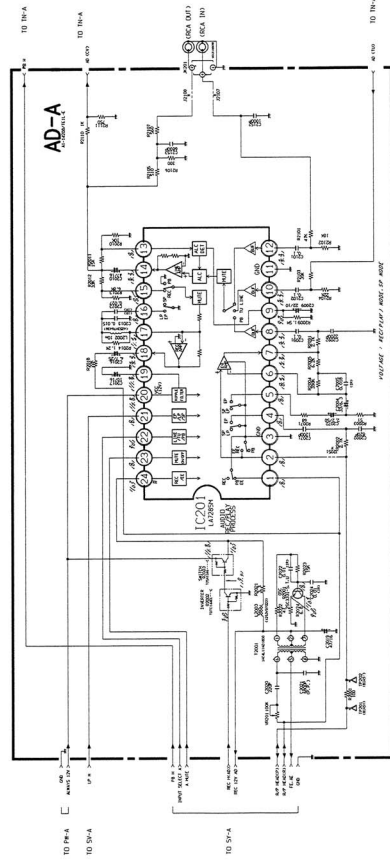


CP-1 BOARD (PW-A) POWER SUPPLY



CP-1 BOARD (AD-A) AUDIO



K
J
I
H
G
F
E
D
C
B
A

1 2 3 4 5 6 7 8 9 10 11 12 13 14 15 16 17 18 19 20 21 22 23