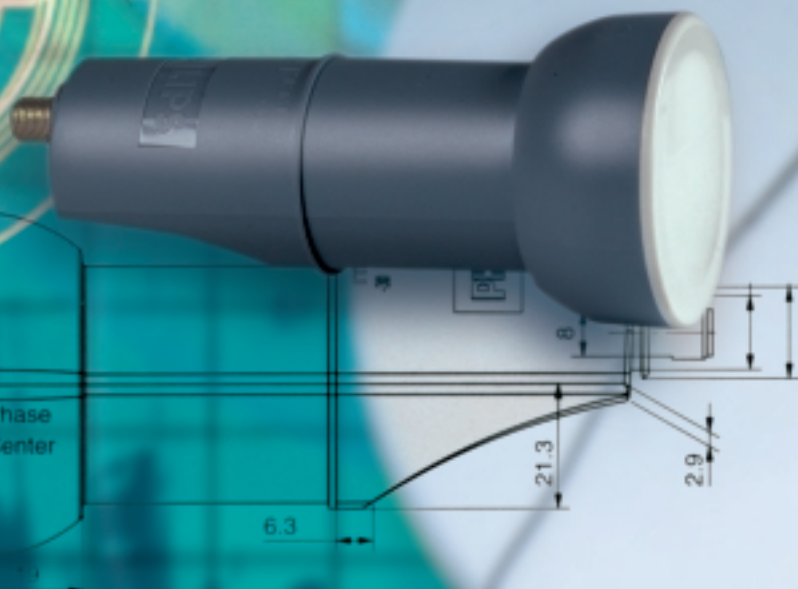


Philips LNB Converters with excellent value for money

SX family



The Philips SX family is your solution for best quality-price ratio LNB's (Low Noise Block Converter) for digital and analog satellite reception for one or more user.

The main benefits:

- Easy to install
- Fully weather proof
- Low power consumption



PHILIPS

Let's make things better.

SX family

SX1019 universal single

Features

- Very good price / quality ratio
- Easy installation
- Fits 40 mm antenna mounting standards
- Linear concept makes skewing position suitable for any global position
- Low power consumption
- 100 % water proof, suitable for all situations and weather conditions
- Small dimensions and low weight
- Meets specifications for digital services according to DVB standards
- Meets ETSI and CE regulations
- Euro-I certificate for exports can be given
- Cable accessories incl. (expt. SX1019)
- 24 months warranty period (from production date)
- Made in Germany



- to serve 1 satellite receiver



Our completely renewed, and ultra modern production site in Krefeld, Germany

Technical Specifications SX1019

Noise Figure	0,6	dB
Cross Polar Isolation (XPD)	20 24	dB min. dB typical
Power Consumption	100 70	mA max mA typical
Conversion Gain	60 55	dB max dB typical
Weight	0.195	kg
Input Frequency Range	10.70 - 11.70 11.70 - 12.75	GHz GHz
Output Frequency Range	950 - 1950 1100 - 2150	MHz MHz
Local Oscillator Frequencies	9.75 10.60	GHz Low Band GHz High Band
Output Connector	F-type, 75	Ohm
Ambient Temperature	from -40 to +60	°C
Water Protection	According IP67	(splash water)

Type	Description	Color	Catalogue Number
SX1019	Universal Single	Dark Grey RAL7016	3112 298 02031
		Light Grey RAL7004	3112 298 02041

SX719DS

universal twin

SX719QS

universal quad

SX719Q

universal quattro



- to serve 2 satellite receivers independently

- to serve 4 satellite receivers independently

- to serve more than 4 users, via a master antenna installation

Technical Specifications SX719 family

Noise Figure	0,6	dB
Channel Isolation (ind. XPD)	20 24	dB min. dB typical
Power Consumption	230 200	mA max mA typical
Conversion Gain	60 55	dB max dB typical
Weight	0.195	kg
Input Frequency Range	10.70 - 11.70 11.70 - 12.75	GHz GHz
Output Frequency Range	950 - 1950 1100 - 2150	MHz MHz
Local Oscillator Frequencies	9.75 10.60	GHz Low Band GHz High Band
Output Connector	F-type, 75	Ohm
Ambient Temperature	from -40 to +60	°C
Water Protection	According IP67	(splash water)

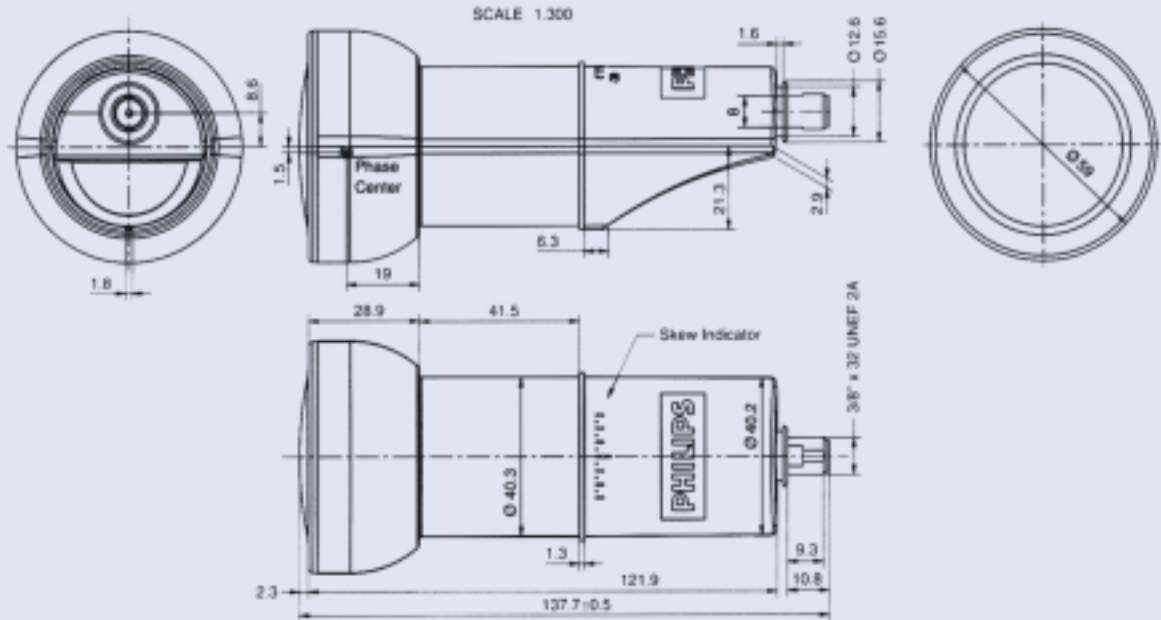
Type	Description	Catalogue Number
SX719DS	Universal Twin Dark Grey RAL7016	3112 298 02271
SX719QS	Universal Quad Dark Grey RAL7016	3112 298 02231
SX719Q	Universal Quattro Dark Grey RAL7016	3112 298 02191



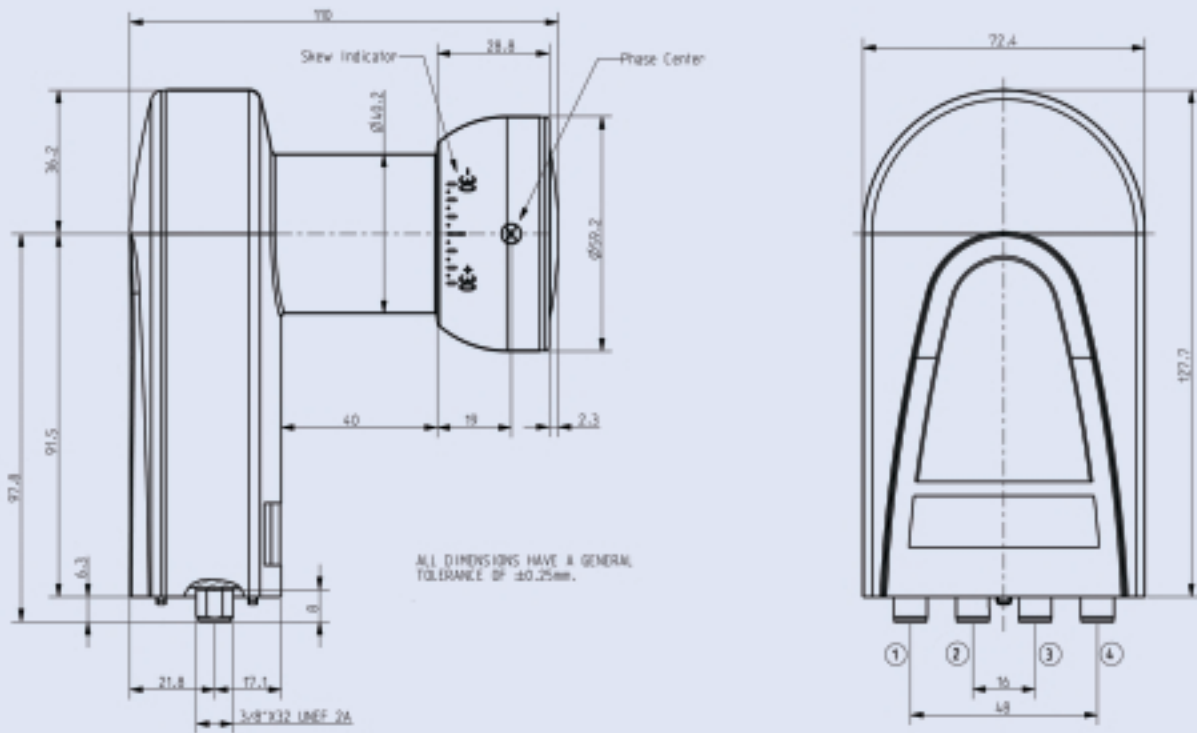
PHILIPS

Let's make things better.

SXI019



SX719 family



All rights reserved. Reproduction in whole or in part is prohibited without the prior written consent of the copyright owner. The information presented in this document does not form part of any quotation or contract, is believed to be accurate and reliable and may be changed without notice. No liability will be accepted by the publisher for any consequence of its use. Publication thereof does not convey nor imply any license under patent- or other industrial or intellectual property rights.

Philips GmbH
 Tuners Competence Center Krefeld
 Kreuzweg 60
 D-47809 Krefeld
 E-mail: Inbsales@philips.com
 Fax +49(0)2151 520588



PHILIPS

Let's make things better.