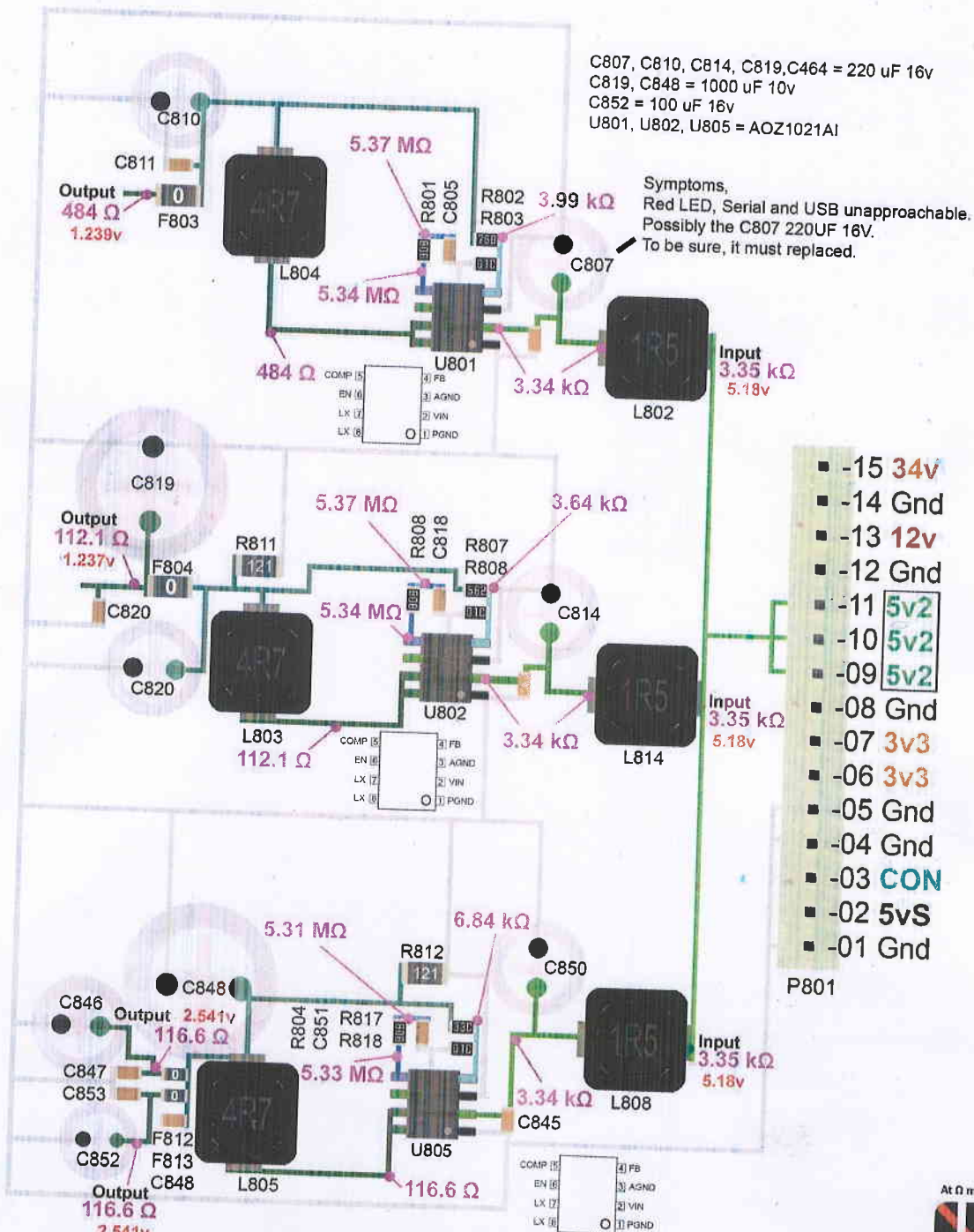


# Vu+ Duo P801/5v2 information

U801 / U802 / U803 in & outputs.



## Ohm measurements.

All measurements are done from the ground, to the measuring point.  
 Ohm measurements without PSU / HDD / Display etc, connected.

