

# MS - 9/8 TNT

## Specifications

### Frequency Range

LNB Inputs:	950 - 2300 MHz
Terr. Input:	40 - 862 MHz
Outputs:	40 - 2300 MHz

### Maximum Input Level

SAT:	105 dB $\mu$ V
Terr.	82 dB $\mu$ V

### Control

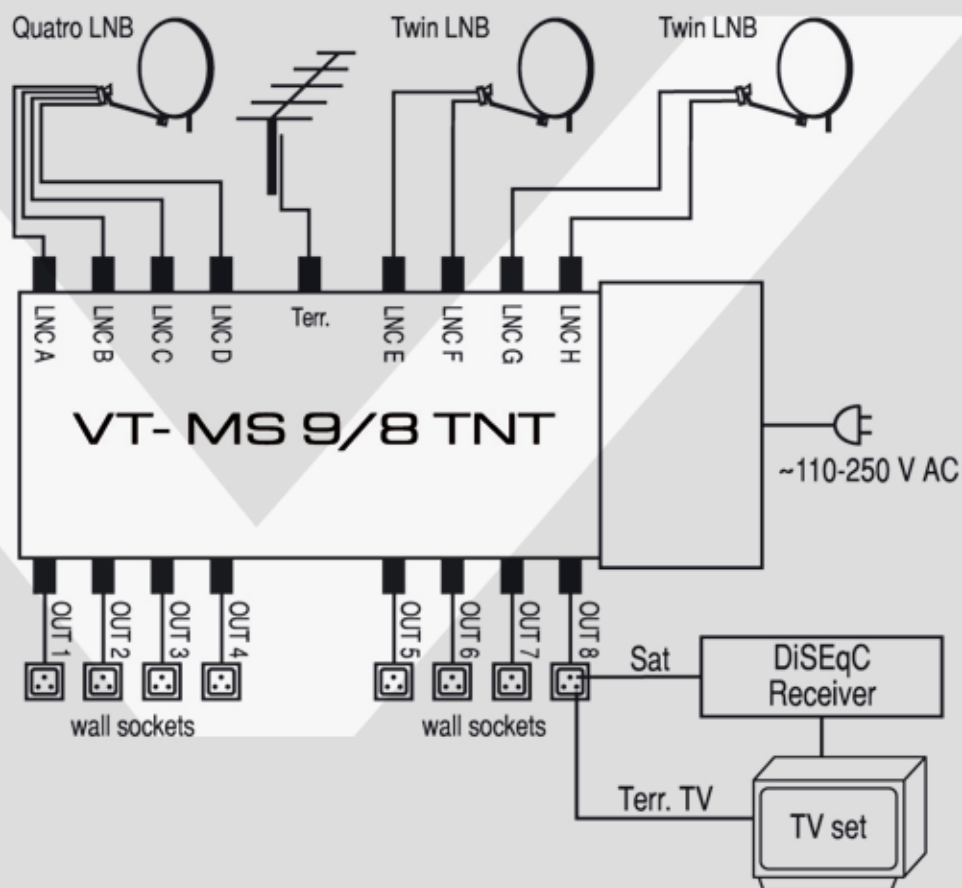
Switch:	DiSEqC commands or [10-14,5/15,5 - 20 V +0/22 kHz +Toneburst]
---------	--

### Physical Specification

Power consumption(incl. LNB):	45 VA max
LNB Power Supply:	1400 mA max.
Dimensions [W,D,H]:	31,7 x 15,2 x 8,0 cm
Temperature range:	-25°C - +60°C

### Insertion Loss

950 - 2150 MHz	5 dB avg
40 - 862 MHz	0 dB avg



# VANTAGE®

[www.vantage-digital.com](http://www.vantage-digital.com)