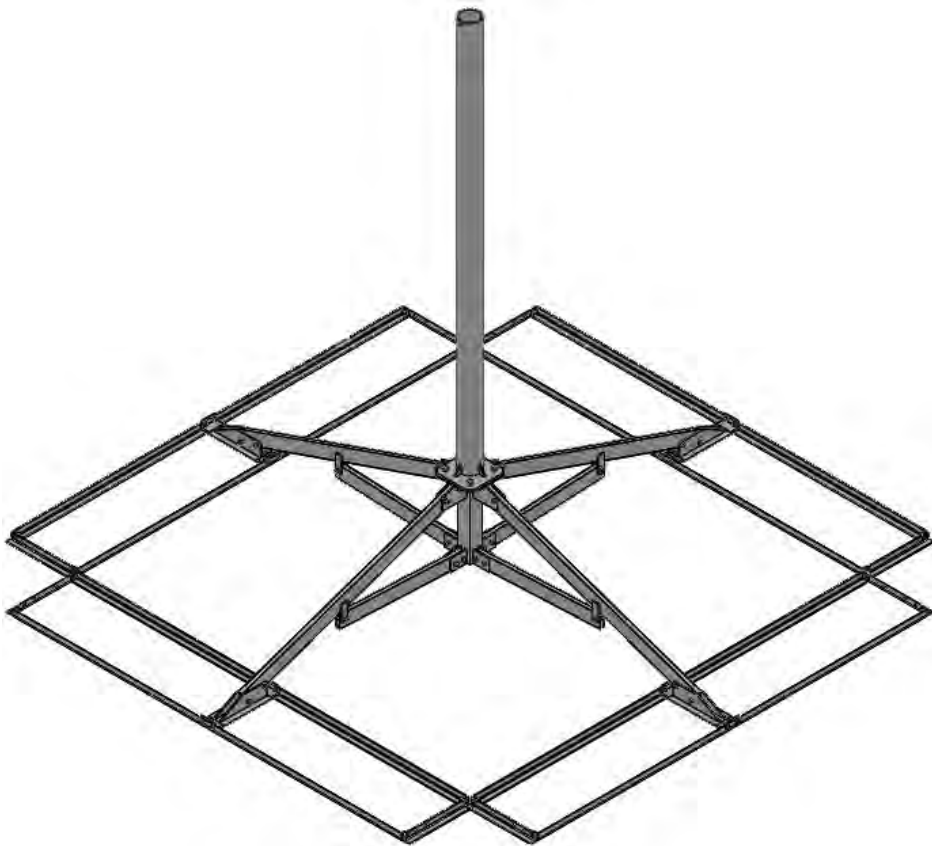




www.bairdmounts.com



Wireless Mounting Catalog

2014



TABLE OF CONTENTS

Non-Penetrating

4-37

B6-18
B6-30
B3-(000)X25
B3-(000)X5
B3-(000)X8
B3-(000)X10
B46-(000)X3
B46DRB-(000)X3
B46DRB-(000)X5
B46DRB-(000)X8
B46DRB-(000)X10
B6116-(000)X4
B6116(000)X7
B6116-(000)X9
PS10-S-(000)X3
PS10-S-(000)X6
PS10-S-(000)X8
PL2-S-(000)X8

Ridgemounts

38-59

SSRM-(000)X2
SSRM-(000)X5
SSRM-(000)X8
SSRM-(000)X10
SURM-(000)X2
SURM-(000)X5
SURM-(000)X8
SURM-(000)X10
URM-(000)X5
URM-(000)X8
URM10-(000)X10

Wall Mounts

60-76

WL4-(000)X1
WL4-(000)X3
WL4-MK
WL4-23(000)X3
WL2-23-(000)X5
WL2-36-(000)X3

WL2-36-(000)X5

WL2-36-(000)X8

WL2-48-(000)X3

Universal Oil Rig Mount

77-78

UORM-(000)X55-P

Universal Beam Mount

79-82

UBM-(000)X5

UBM-(000)X10

Universal Chimney Mount

83-84

UCM-6-(000)X6-4

Tactical Deploy Mount

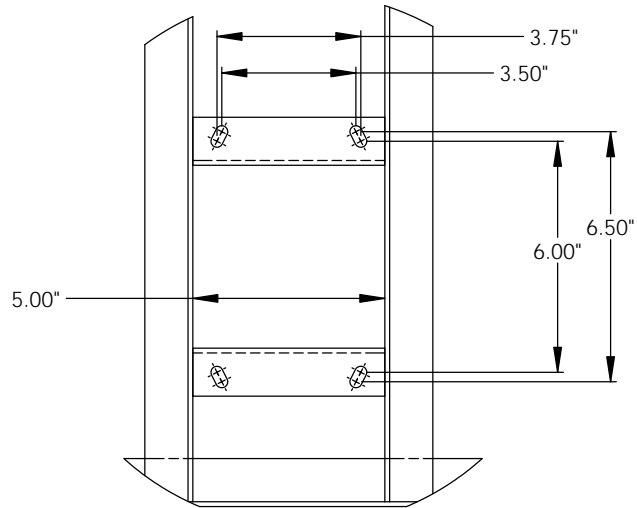
85-86

BTD12-(000)X1

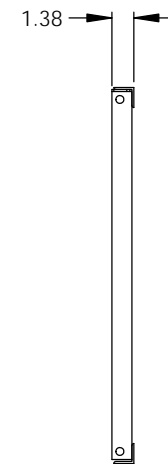
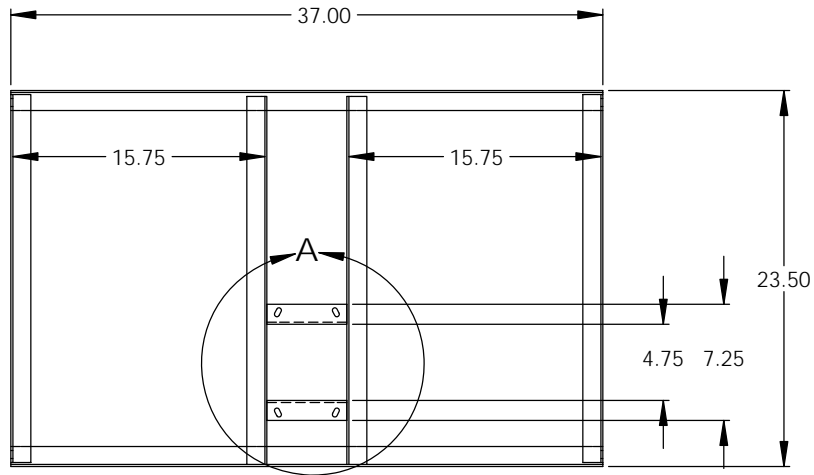
Rubber Pads

87

RM-48-18-05 (1/2 inch thick pads)



DETAIL A
SCALE 1 : 5



PROPRIETARY AND CONFIDENTIAL
THE INFORMATION CONTAINED IN THIS DRAWING IS THE SOLE PROPERTY OF BAIRD SUPPORTING SYSTEMS. ANY REPRODUCTION IN PART OR AS A WHOLE WITHOUT THE WRITTEN PERMISSION OF BAIRD SUPPORTING SYSTEMS IS PROHIBITED.



WWW.BAIRD MOUNTS.COM

UNLESS OTHERWISE SPECIFIED:
DIMENSIONS ARE IN INCHES
TOLERANCES:
FRACTIONAL ±
ANGULAR: MACH ± BEND ±
TWO PLACE DECIMAL ±
THREE PLACE DECIMAL ±

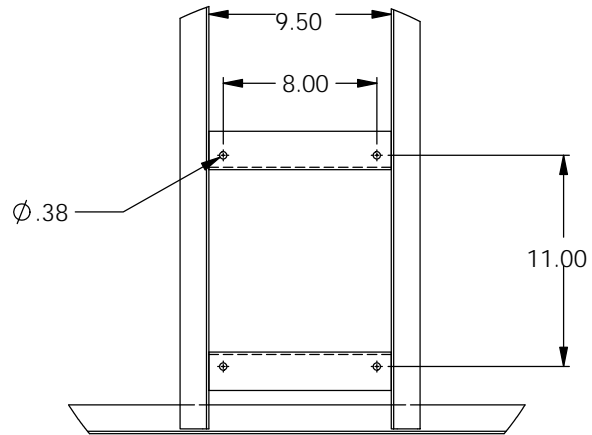
DO NOT SCALE DRAWING

BAIRD MOUNTING SYSTEMS

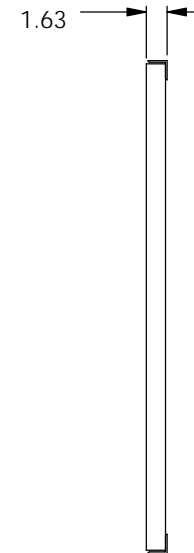
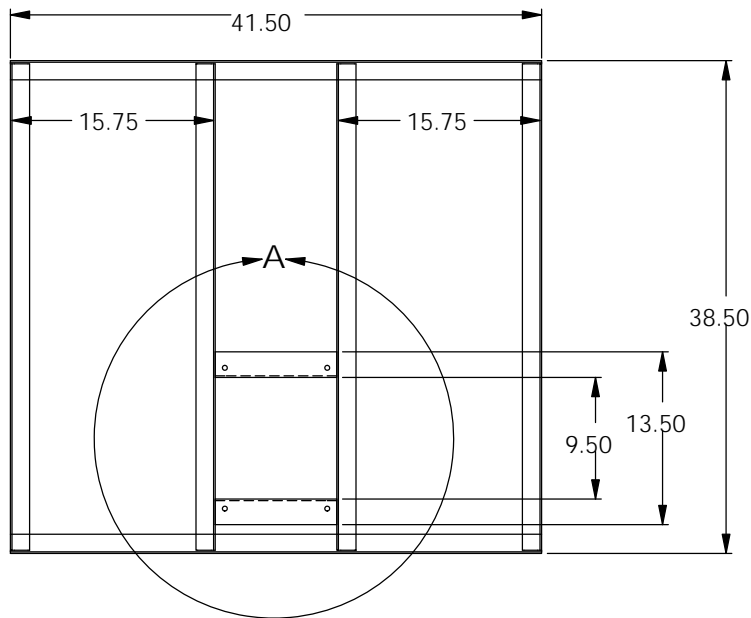
WATERLOO, IA 50703
PHONE: 319-233-3561
SALES@BAIRDMOUNTS.COM

TITLE:
B6-18

DRAWN BY JK	DATE 08/14/13	
MATERIAL STEEL	FINISH HDG	
DWG. PURPOSE CUSTOMER	SHEET 1 OF 1	SCALE 1:10
PART. NO. B618		
DWG. NO. B618		



DETAIL A
SCALE 1 : 10



PROPRIETARY AND CONFIDENTIAL
THE INFORMATION CONTAINED IN THIS DRAWING IS THE SOLE PROPERTY OF BAIRD SUPPORTING SYSTEMS. ANY REPRODUCTION IN PART OR AS A WHOLE WITHOUT THE WRITTEN PERMISSION OF BAIRD SUPPORTING SYSTEMS IS PROHIBITED.



WWW.BAIRD MOUNTS.COM

UNLESS OTHERWISE SPECIFIED:
DIMENSIONS ARE IN INCHES
TOLERANCES:
FRACTIONAL ±
ANGULAR: MACH ± BEND ±
TWO PLACE DECIMAL ±
THREE PLACE DECIMAL ±

DO NOT SCALE DRAWING

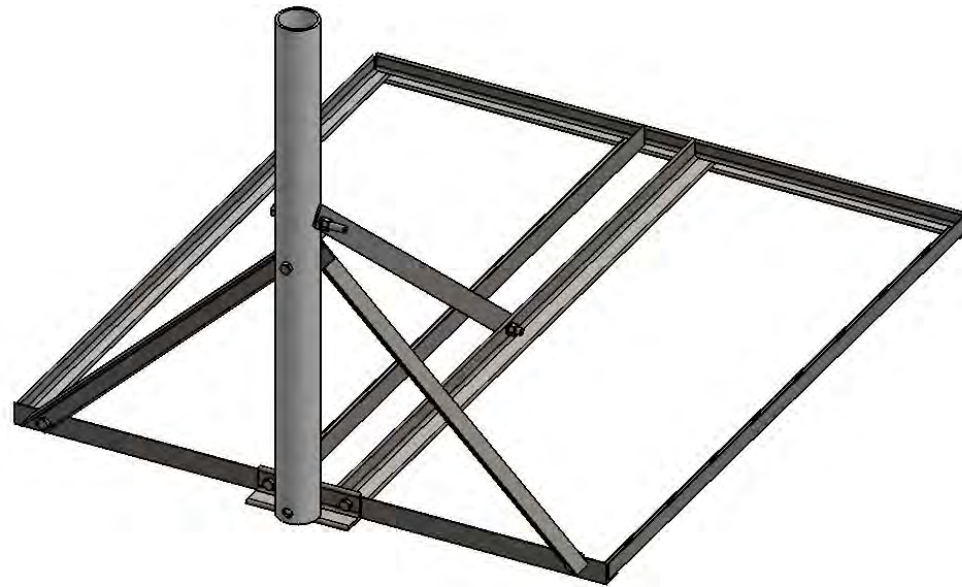
BAIRD MOUNTING SYSTEMS

WATERLOO, IA 50703
PHONE: 319-233-3561
SALES@BAIRDMOUNTS.COM

TITLE:
B6-30

DRAWN BY JK	DATE 08/15/13	
MATERIAL STEEL	FINISH HDG	
DWG. PURPOSE CUSTOMER	SHEET 10F1	SCALE 1:15
PART. NO. B630		
DWG. NO. B630		

PART NO.	MAST DIAMETER	WEIGHT
B3-131X25	1.31"OD [33.4mm]	33 lbs. [15.0kg]
B3-166X25	1.66"OD [42.2mm]	35 lbs. [15.9kg]
B3-190X25	1.90"OD [48.3mm]	36 lbs. [15.3kg]
B3-200X25	2"OD [50.8mm]	36 lbs. [16.3kg]
B3-237X25	2.37"OD [60.3mm]	38 lbs. [17.2kg]
B3-288X25	2.88"OD [73mm]	38 lbs. [17.2kg]
B3-300X25	3"OD [76.2mm]	38 lbs. [17.2kg]



PROPRIETARY AND CONFIDENTIAL
 THE INFORMATION CONTAINED IN THIS DRAWING IS THE SOLE PROPERTY OF BAIRD SUPPORTING SYSTEMS. ANY REPRODUCTION IN PART OR AS A WHOLE WITHOUT THE WRITTEN PERMISSION OF BAIRD SUPPORTING SYSTEMS IS PROHIBITED.



WWW.BAIRD MOUNTS.COM

UNLESS OTHERWISE SPECIFIED:
 DIMENSIONS ARE IN INCHES
 TOLERANCES:
 FRACTIONAL ±
 ANGULAR: MACH ± END ±
 TWO PLACE DECIMAL ±
 THREE PLACE DECIMAL ±

DO NOT SCALE DRAWING

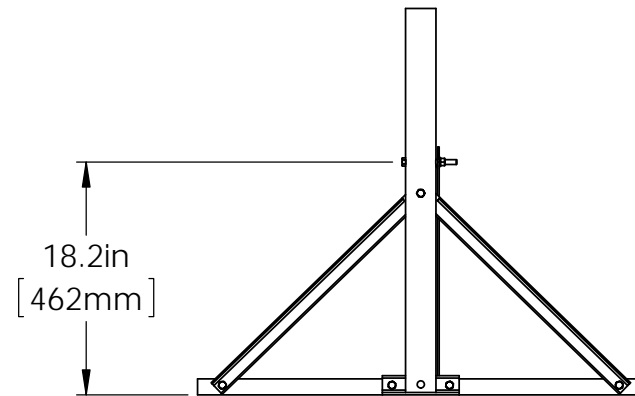
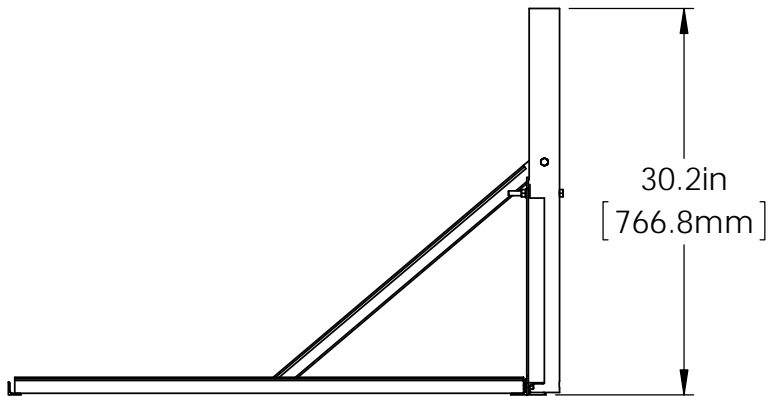
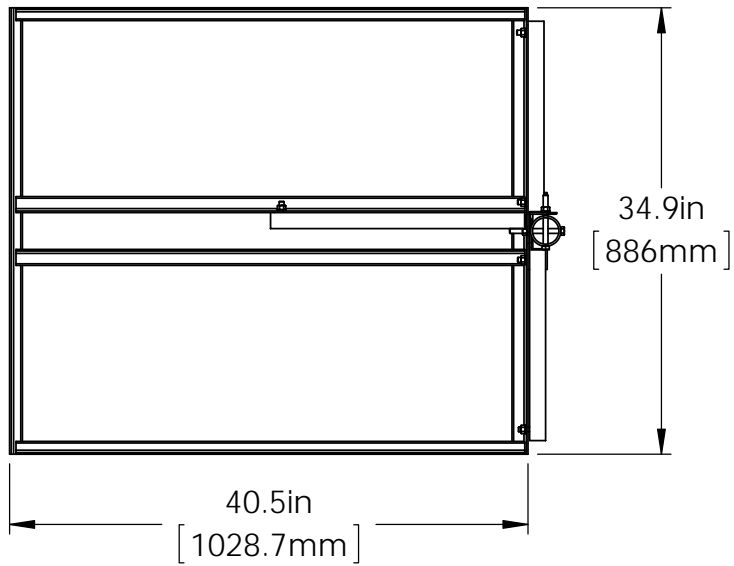
BAIRD MOUNTING SYSTEMS

WATERLOO, IA 50703
 PHONE: 319-233-3561
 SALES@BAIRD MOUNTS.COM

TITLE:
 B3-34X40 MOUNT WITH 2.5' MAST

DRAWN BY JK	DATE 05/03/13	
MATERIAL STEEL	FINISH HDG	
DWG. PURPOSE CUSTOMER	SHEET 1 OF 2	SCALE 1:10

PART. NO.
 SEE TABLE
 DWG. NO.
 B3-(000)X25



PROPRIETARY AND CONFIDENTIAL
THE INFORMATION CONTAINED IN THIS DRAWING IS THE SOLE PROPERTY OF BAIRD SUPPORTING SYSTEMS. ANY REPRODUCTION IN PART OR AS A WHOLE WITHOUT THE WRITTEN PERMISSION OF BAIRD SUPPORTING SYSTEMS IS PROHIBITED.



WWW.BAIRD MOUNTS.COM

UNLESS OTHERWISE SPECIFIED:
DIMENSIONS ARE IN INCHES
TOLERANCES:
FRACTIONAL ±
ANGULAR: MACH ± BEND ±
TWO PLACE DECIMAL ±
THREE PLACE DECIMAL ±

DO NOT SCALE DRAWING

BAIRD MOUNTING SYSTEMS

WATERLOO, IA 50703
PHONE: 319-233-3561
SALES@BAIRDMOUNTS.COM

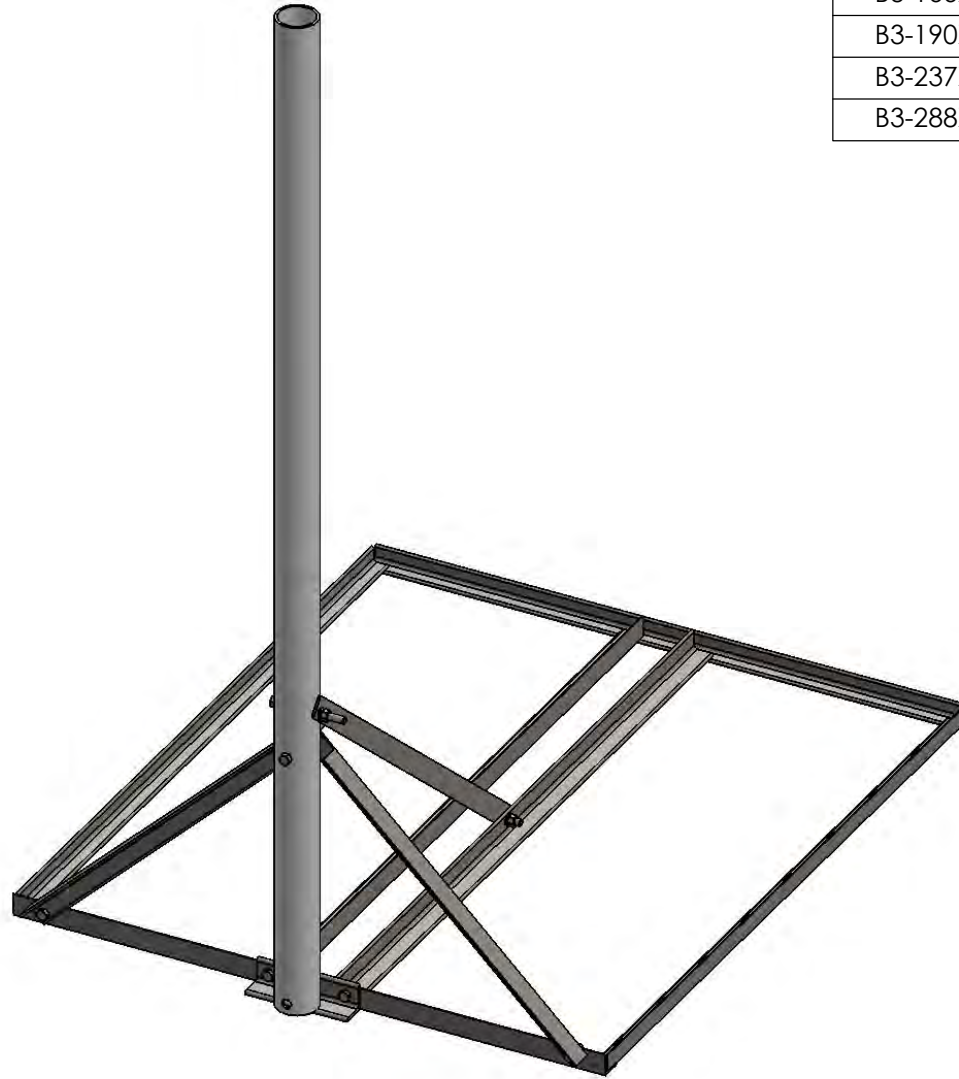
TITLE:
B3-34X40 MOUNT WITH 2.5' MAST

DRAWN BY JK	DATE 05/30/13	
MATERIAL STEEL	FINISH HDG	
DWG. PURPOSE CUSTOMER	SHEET 2 OF 2	SCALE 1:15

PART. NO.
SEE TABLE-SHEET 1

DWG. NO.
B3-(000)X25

PART NO.	MAST DIAMETER	WEIGHT
B3-131X5	1.31"OD [33.4mm]	37 lbs. [16.8kg]
B3-166X5	1.66"OD [42.2mm]	42 lbs. [19.1kg]
B3-190X5	1.90"OD [48.3mm]	43 lbs. [19.5kg]
B3-237X5	2.37"OD [60.3mm]	47 lbs. [21.3kg]
B3-288X5	2.88"OD [73mm]	60 lbs. [27.2kg]



PROPRIETARY AND CONFIDENTIAL
 THE INFORMATION CONTAINED IN THIS DRAWING IS THE SOLE PROPERTY OF BAIRD SUPPORTING SYSTEMS. ANY REPRODUCTION IN PART OR AS A WHOLE WITHOUT THE WRITTEN PERMISSION OF BAIRD SUPPORTING SYSTEMS IS PROHIBITED.



WWW.BAIRD MOUNTS.COM

UNLESS OTHERWISE SPECIFIED:
 DIMENSIONS ARE IN INCHES
 TOLERANCES:
 FRACTIONAL ±
 ANGULAR: MACH ± BEND ±
 TWO PLACE DECIMAL ±
 THREE PLACE DECIMAL ±

DO NOT SCALE DRAWING

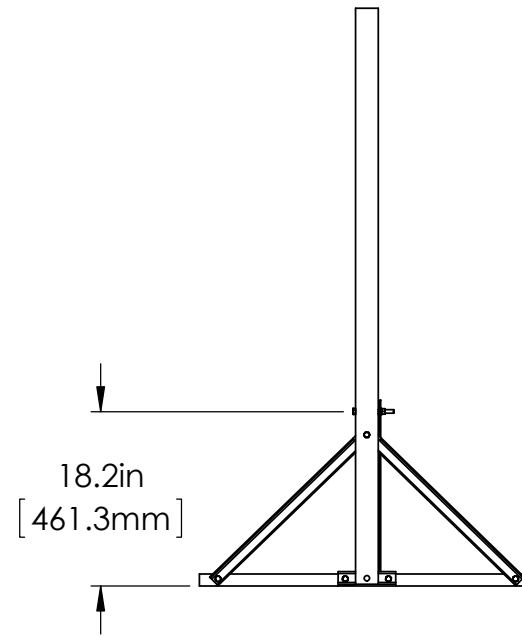
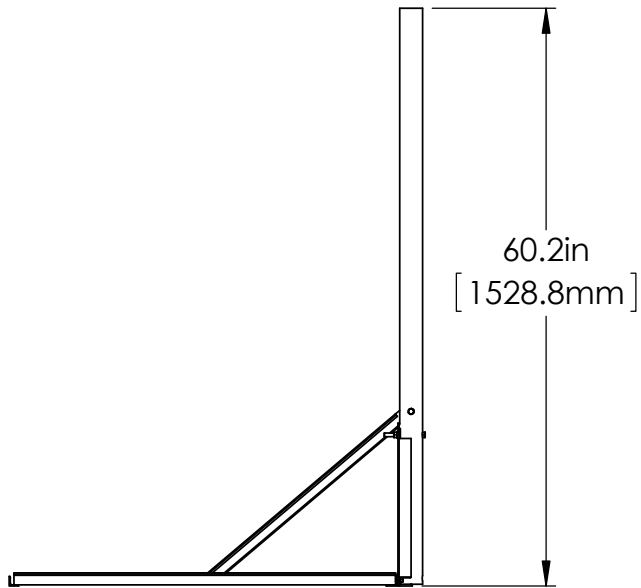
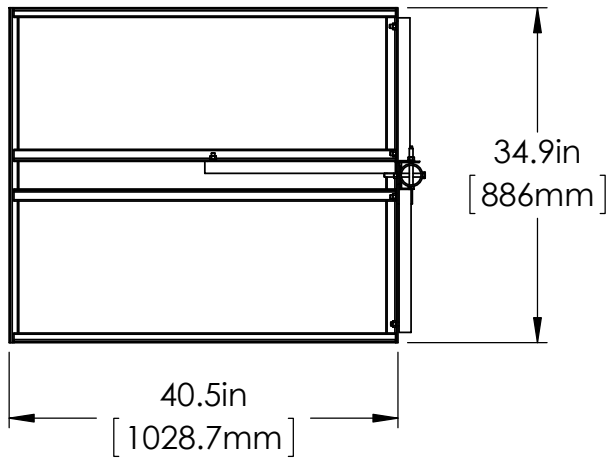
BAIRD MOUNTING SYSTEMS

WATERLOO, IA 50703
 PHONE: 319-233-3561
 SALES@BAIRD MOUNTS.COM

DESCRIPTION:
 B3-34X40 MOUNT WITH 5' MAST

DRAWN BY JK	DATE 05/30/13	
MATERIAL STEEL	FINISH HDG	
DWG. PURPOSE CUSTOMER	SHEET 1 OF 2	SCALE 1:10

PART. NO.
SEE TABLE
 DWG. NO.
 B3-(000)X5



PROPRIETARY AND CONFIDENTIAL
THE INFORMATION CONTAINED IN THIS DRAWING IS THE SOLE PROPERTY OF BAIRD SUPPORTING SYSTEMS. ANY REPRODUCTION IN PART OR AS A WHOLE WITHOUT THE WRITTEN PERMISSION OF BAIRD SUPPORTING SYSTEMS IS PROHIBITED.



WWW.BAIRD MOUNTS.COM

UNLESS OTHERWISE SPECIFIED:
DIMENSIONS ARE IN INCHES
TOLERANCES:
FRACTIONAL ±
ANGULAR: MACH ± BEND ±
TWO PLACE DECIMAL ±
THREE PLACE DECIMAL ±

DO NOT SCALE DRAWING

BAIRD MOUNTING SYSTEMS

WATERLOO, IA 50703
PHONE: 319-233-3561
SALES@BAIRD MOUNTS.COM

DESCRIPTION:
B3-34X40 MOUNT WITH 5' MAST

DRAWN BY JK	DATE 05/30/13	
MATERIAL STEEL	FINISH HDG	
DWG. PURPOSE CUSTOMER	SHEET 2 OF 2	SCALE 1:20

PART. NO.
SEE TABLE-SHEET 1

DWG. NO.
B3-(000)X5



PART NO.	MAST DIAMETER	WEIGHT
B3-131X8	1.31"OD [33.4mm]	42 lbs. [19.1kg]
B3-166X8	1.66"OD [42.2mm]	49 lbs. [22.2kg]
B3-190X8	1.90"OD [48.3mm]	51 lbs. [23.1kg]
B3-237X8	2.37"OD [60.3mm]	58 lbs. [26.3kg]
B3-288X8	2.88"OD [73mm]	78 lbs. [35.4kg]

PROPRIETARY AND CONFIDENTIAL
 THE INFORMATION CONTAINED IN THIS DRAWING IS THE SOLE PROPERTY OF BAIRD SUPPORTING SYSTEMS. ANY REPRODUCTION IN PART OR AS A WHOLE WITHOUT THE WRITTEN PERMISSION OF BAIRD SUPPORTING SYSTEMS IS PROHIBITED.



WWW.BAIRD MOUNTS.COM

UNLESS OTHERWISE SPECIFIED:
 DIMENSIONS ARE IN INCHES
 TOLERANCES:
 FRACTIONAL ±
 ANGULAR: MACH ± BEND ±
 TWO PLACE DECIMAL ±
 THREE PLACE DECIMAL ±

DO NOT SCALE DRAWING

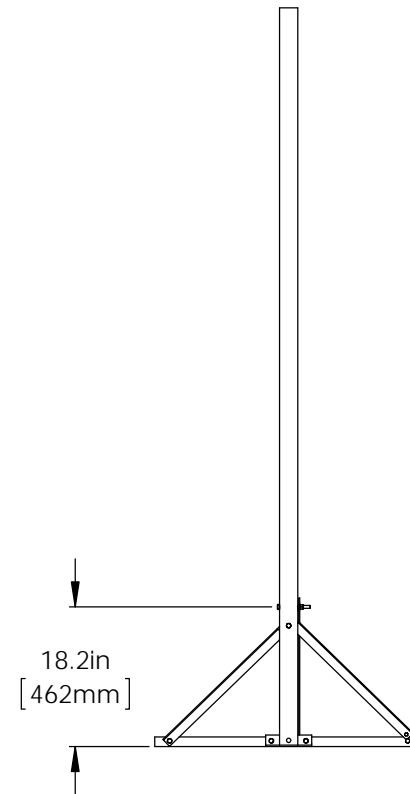
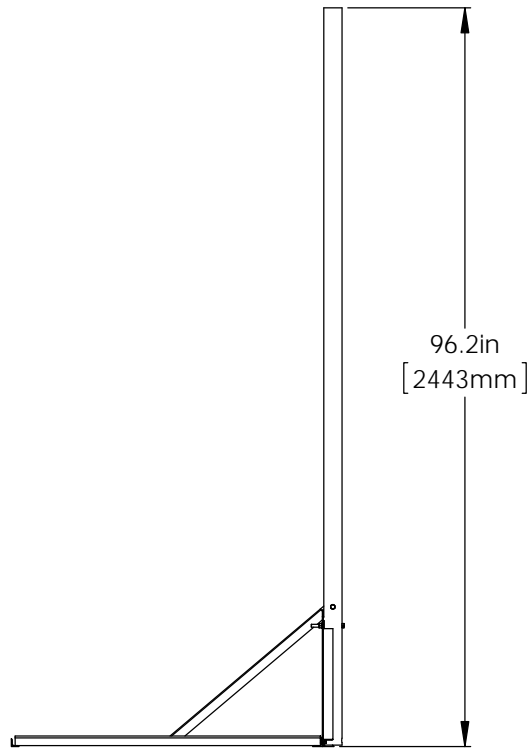
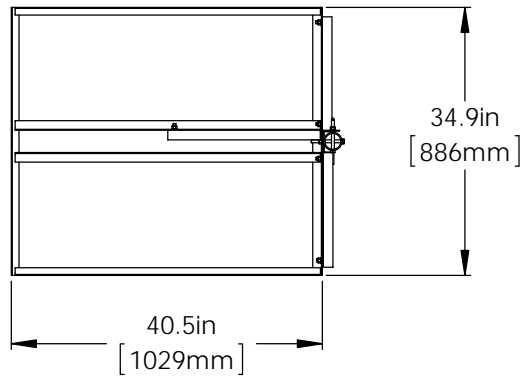
BAIRD MOUNTING SYSTEMS

WATERLOO, IA 50703
 PHONE: 319-233-3561
 SALES@BAIRD MOUNTS.COM

DESCRIPTION:
 B3-34X40 MOUNT WITH 8' MAST

DRAWN BY JK	DATE 06/17/13	
MATERIAL STEEL	FINISH HDG	
DWG. PURPOSE CUSTOMER	SHEET 1 OF 2	SCALE 1:15

PART. NO.
 SEE TABLE
 DWG. NO.
 B3-(000)X8



PROPRIETARY AND CONFIDENTIAL
THE INFORMATION CONTAINED IN THIS DRAWING IS THE SOLE PROPERTY OF BAIRD SUPPORTING SYSTEMS. ANY REPRODUCTION IN PART OR AS A WHOLE WITHOUT THE WRITTEN PERMISSION OF BAIRD SUPPORTING SYSTEMS IS PROHIBITED.



WWW.BAIRD MOUNTS.COM

UNLESS OTHERWISE SPECIFIED:
DIMENSIONS ARE IN INCHES
TOLERANCES:
FRACTIONAL ±
ANGULAR: MACH ± BEND ±
TWO PLACE DECIMAL ±
THREE PLACE DECIMAL ±

DO NOT SCALE DRAWING

BAIRD MOUNTING SYSTEMS

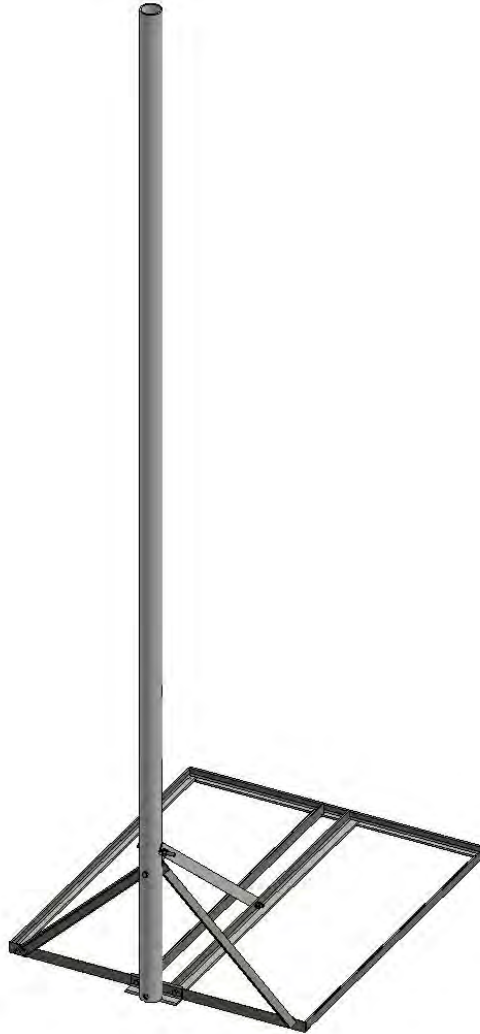
WATERLOO, IA 50703
PHONE: 319-233-3561
SALES@BAIRD MOUNTS.COM

DESCRIPTION:
B3-34X40 MOUNT WITH 8' MAST

DRAWN BY JK	DATE 06/17/13	
MATERIAL STEEL	FINISH HDG	
DWG. PURPOSE CUSTOMER	SHEET 2 OF 2	SCALE 1:25

PART. NO.
SEE TABLE-SHEET 1

DWG. NO.
B3-(000)X8



PART NO.	MAST DIAMETER	WEIGHT
B3-131X10	1.31"OD [33.4mm]	45 lbs. [20.4kg]
B3-166X10	1.66"OD [42.2mm]	53 lbs. [24.0kg]
B3-190X10	1.90"OD [48.3mm]	56 lbs. [25.4kg]
B3-237X10	2.37"OD [60.3mm]	65 lbs. [29.5kg]
B3-288X10	2.88"OD [73mm]	90 lbs. [40.8kg]

PROPRIETARY AND CONFIDENTIAL
 THE INFORMATION CONTAINED IN THIS DRAWING IS THE SOLE PROPERTY OF BAIRD SUPPORTING SYSTEMS. ANY REPRODUCTION IN PART OR AS A WHOLE WITHOUT THE WRITTEN PERMISSION OF BAIRD SUPPORTING SYSTEMS IS PROHIBITED.



WWW.BAIRD MOUNTS.COM

UNLESS OTHERWISE SPECIFIED:
 DIMENSIONS ARE IN INCHES
 TOLERANCES:
 FRACTIONAL ±
 ANGULAR: MACH ± BEND ±
 TWO PLACE DECIMAL ±
 THREE PLACE DECIMAL ±

DO NOT SCALE DRAWING

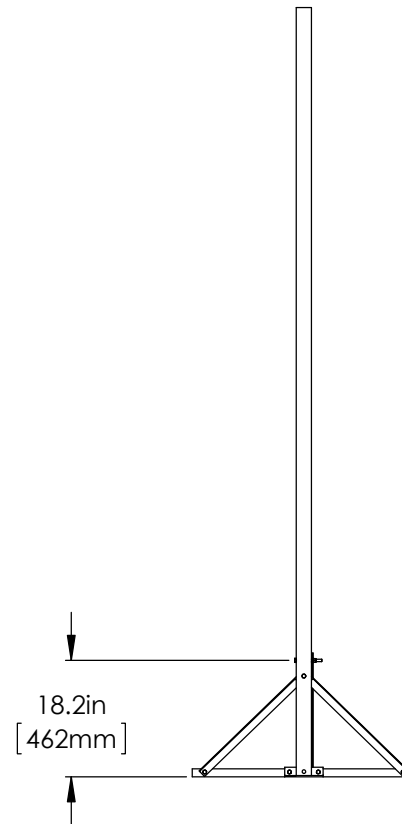
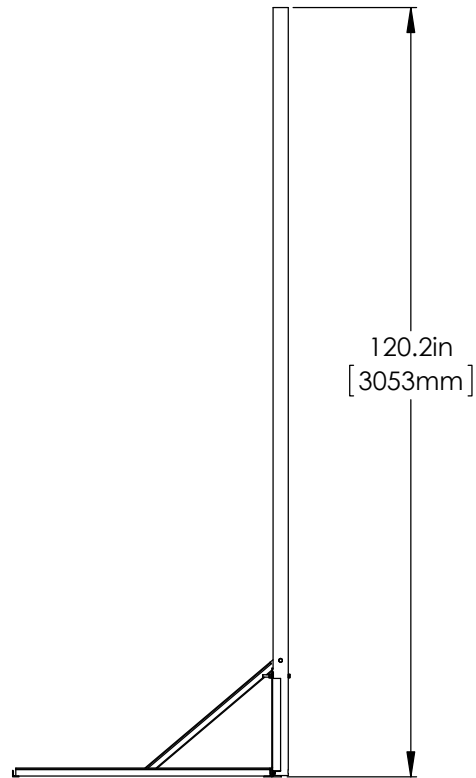
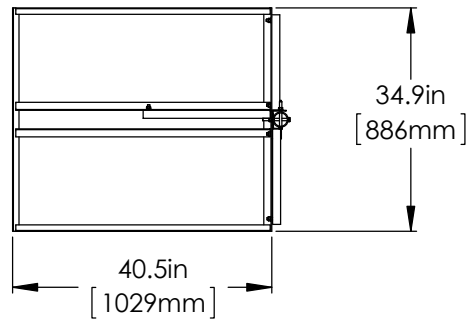
BAIRD MOUNTING SYSTEMS

WATERLOO, IA 50703
 PHONE: 319-233-3561
 SALES@BAIRD MOUNTS.COM

DESCRIPTION:
 B3-34X40 MOUNT WITH 10' MAST

DRAWN BY JK	DATE 06/17/13	
MATERIAL STEEL	FINISH HDG	
DWG. PURPOSE CUSTOMER	SHEET 1 OF 2	SCALE 1:20

PART. NO.
SEE TABLE
 DWG. NO.
 B3-(000)X10



PROPRIETARY AND CONFIDENTIAL
THE INFORMATION CONTAINED IN THIS DRAWING IS THE SOLE PROPERTY OF BAIRD SUPPORTING SYSTEMS. ANY REPRODUCTION IN PART OR AS A WHOLE WITHOUT THE WRITTEN PERMISSION OF BAIRD SUPPORTING SYSTEMS IS PROHIBITED.



WWW.BAIRD MOUNTS.COM

UNLESS OTHERWISE SPECIFIED:
DIMENSIONS ARE IN INCHES
TOLERANCES:
FRACTIONAL ±
ANGULAR: MACH ± BEND ±
TWO PLACE DECIMAL ±
THREE PLACE DECIMAL ±

DO NOT SCALE DRAWING

BAIRD MOUNTING SYSTEMS

WATERLOO, IA 50703
PHONE: 319-233-3561
SALES@BAIRD MOUNTS.COM

DESCRIPTION:
B3-34X40 MOUNT WITH 10' MAST

DRAWN BY JK	DATE 05/30/13	
MATERIAL STEEL	FINISH HDG	
DWG. PURPOSE CUSTOMER	SHEET 2 OF 2	SCALE 1:30

PART. NO.
SEE TABLE-SHEET 1

DWG. NO.
B3-(000)X10

PART NO.	MAST DIAMETER	WEIGHT
B46-237X3	2.37"OD [60.3mm]	86 lbs. [39kg]
B46-288X3	2.88"OD [73mm]	87 lbs. [39.5kg]
B46-300X3	3"OD [76.2mm]	87 lbs. [39.5kg]



PROPRIETARY AND CONFIDENTIAL
 THE INFORMATION CONTAINED IN THIS DRAWING IS THE SOLE PROPERTY OF BAIRD SUPPORTING SYSTEMS. ANY REPRODUCTION IN PART OR AS A WHOLE WITHOUT THE WRITTEN PERMISSION OF BAIRD SUPPORTING SYSTEMS IS PROHIBITED.



WWW.BAIRD MOUNTS.COM

UNLESS OTHERWISE SPECIFIED:
 DIMENSIONS ARE IN INCHES
 TOLERANCES:
 FRACTIONAL ±
 ANGULAR: MACH ± BEND ±
 TWO PLACE DECIMAL ±
 THREE PLACE DECIMAL ±

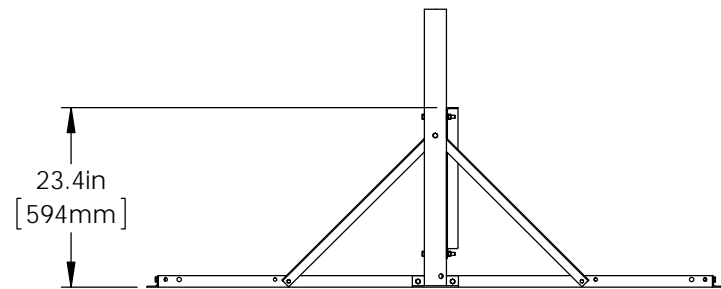
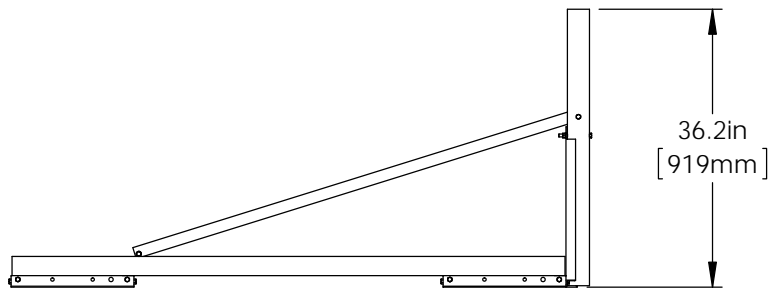
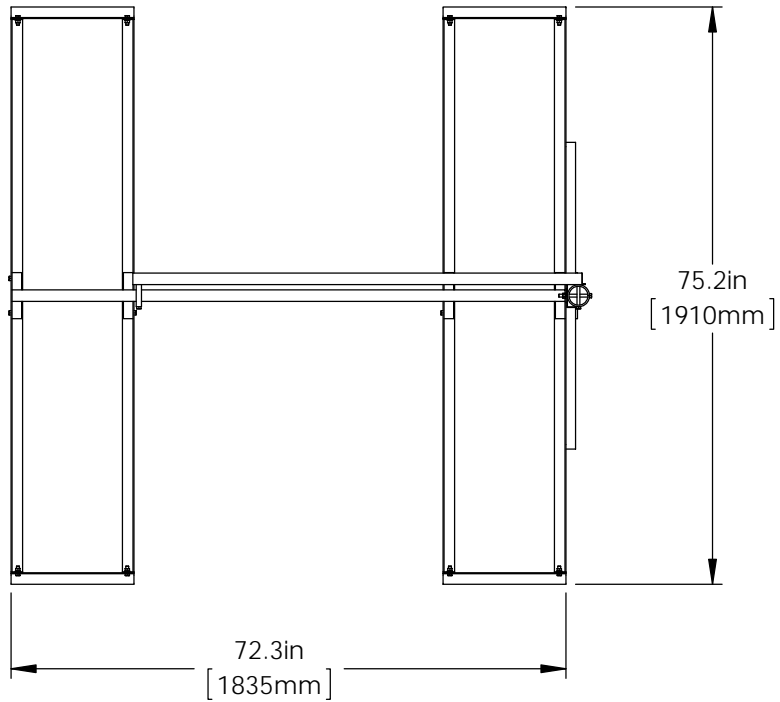
DO NOT SCALE DRAWING

BAIRD MOUNTING SYSTEMS

WATERLOO, IA 50703
 PHONE: 319-233-3561
 SALES@BAIRD MOUNTS.COM

TITLE:
 B4-6X6 MOUNT WITH 3' MAST

DRAWN BY JK	DATE 05/31/13	
MATERIAL STEEL	FINISH HDG	
DWG. PURPOSE CUSTOMER	SHEET 1OF2	SCALE 1:15
PART. NO. SEE TABLE		
DWG. NO. B46-(000)X3		



PROPRIETARY AND CONFIDENTIAL
THE INFORMATION CONTAINED IN THIS DRAWING IS THE SOLE PROPERTY OF BAIRD SUPPORTING SYSTEMS. ANY REPRODUCTION IN PART OR AS A WHOLE WITHOUT THE WRITTEN PERMISSION OF BAIRD SUPPORTING SYSTEMS IS PROHIBITED.



WWW.BAIRD MOUNTS.COM

UNLESS OTHERWISE SPECIFIED:
DIMENSIONS ARE IN INCHES
TOLERANCES:
FRACTIONAL ±
ANGULAR: MACH ± BEND ±
TWO PLACE DECIMAL ±
THREE PLACE DECIMAL ±

DO NOT SCALE DRAWING

BAIRD MOUNTING SYSTEMS

WATERLOO, IA 50703
PHONE: 319-233-3561
SALES@BAIRD MOUNTS.COM

TITLE:
B4-6X6 MOUNT WITH 3' MAST

DRAWN BY JK	DATE 05/31/13	
MATERIAL STEEL	FINISH HDG	
DWG. PURPOSE CUSTOMER	SHEET 2OF2	SCALE 1:25

PART. NO.
SEE TABLE-SHEET 1

DWG. NO.
B46-(000)X3

PART NO.	MAST DIAMETER	WEIGHT
B46DRB-237X3	2.37"OD [60.3mm]	93 lbs. [42.2kg]
B46DRB-288X3	2.88"OD [73mm]	94 lbs. [42.6kg]
B46DRB-300X3	3"OD [76.2mm]	94 lbs. [42.6kg]



PROPRIETARY AND CONFIDENTIAL
 THE INFORMATION CONTAINED IN THIS DRAWING IS THE SOLE PROPERTY OF BAIRD SUPPORTING SYSTEMS. ANY REPRODUCTION IN PART OR AS A WHOLE WITHOUT THE WRITTEN PERMISSION OF BAIRD SUPPORTING SYSTEMS IS PROHIBITED.



WWW.BAIRD MOUNTS.COM

UNLESS OTHERWISE SPECIFIED:
 DIMENSIONS ARE IN INCHES
 TOLERANCES:
 FRACTIONAL ±
 ANGULAR: MACH ± BEND ±
 TWO PLACE DECIMAL ±
 THREE PLACE DECIMAL ±

DO NOT SCALE DRAWING

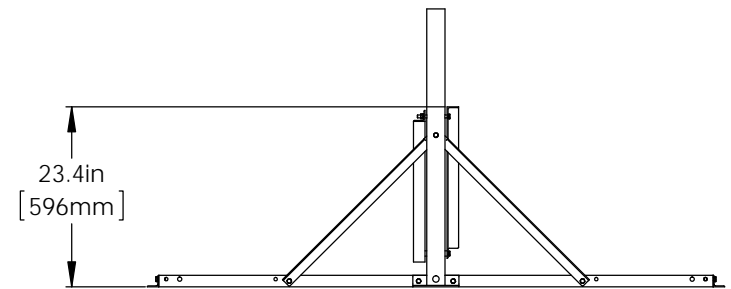
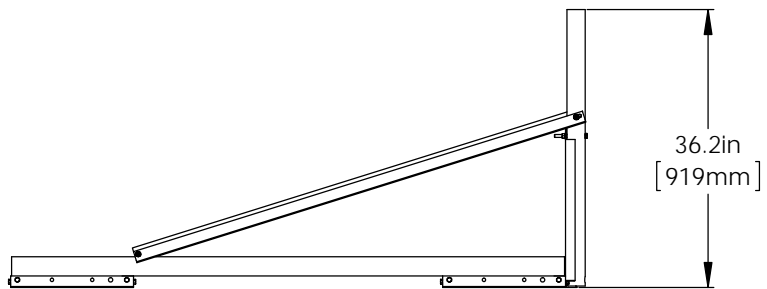
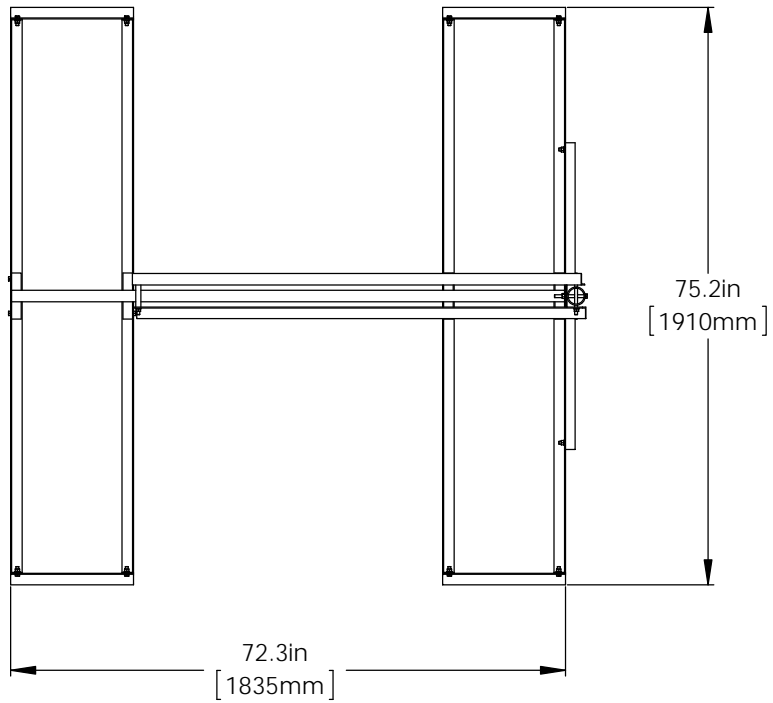
BAIRD MOUNTING SYSTEMS

WATERLOO, IA 50703
 PHONE: 319-233-3561
 SALES@BAIRDMOUNTS.COM

TITLE:
 B4-6X6DRB MOUNT WITH 3' MAST

DRAWN BY JK	DATE 06/14/13
MATERIAL STEEL	FINISH HDG
DWG. PURPOSE CUSTOMER	SHEET 1OF2
	SCALE 1:15

PART. NO.
 SEE TABLE
 DWG. NO.
 B46DRB-(000)X3



PROPRIETARY AND CONFIDENTIAL
THE INFORMATION CONTAINED IN THIS DRAWING IS THE SOLE PROPERTY OF BAIRD SUPPORTING SYSTEMS. ANY REPRODUCTION IN PART OR AS A WHOLE WITHOUT THE WRITTEN PERMISSION OF BAIRD SUPPORTING SYSTEMS IS PROHIBITED.



WWW.BAIRD MOUNTS.COM

UNLESS OTHERWISE SPECIFIED:
DIMENSIONS ARE IN INCHES
TOLERANCES:
FRACTIONAL ±
ANGULAR: MACH ± BEND ±
TWO PLACE DECIMAL ±
THREE PLACE DECIMAL ±

DO NOT SCALE DRAWING

BAIRD MOUNTING SYSTEMS

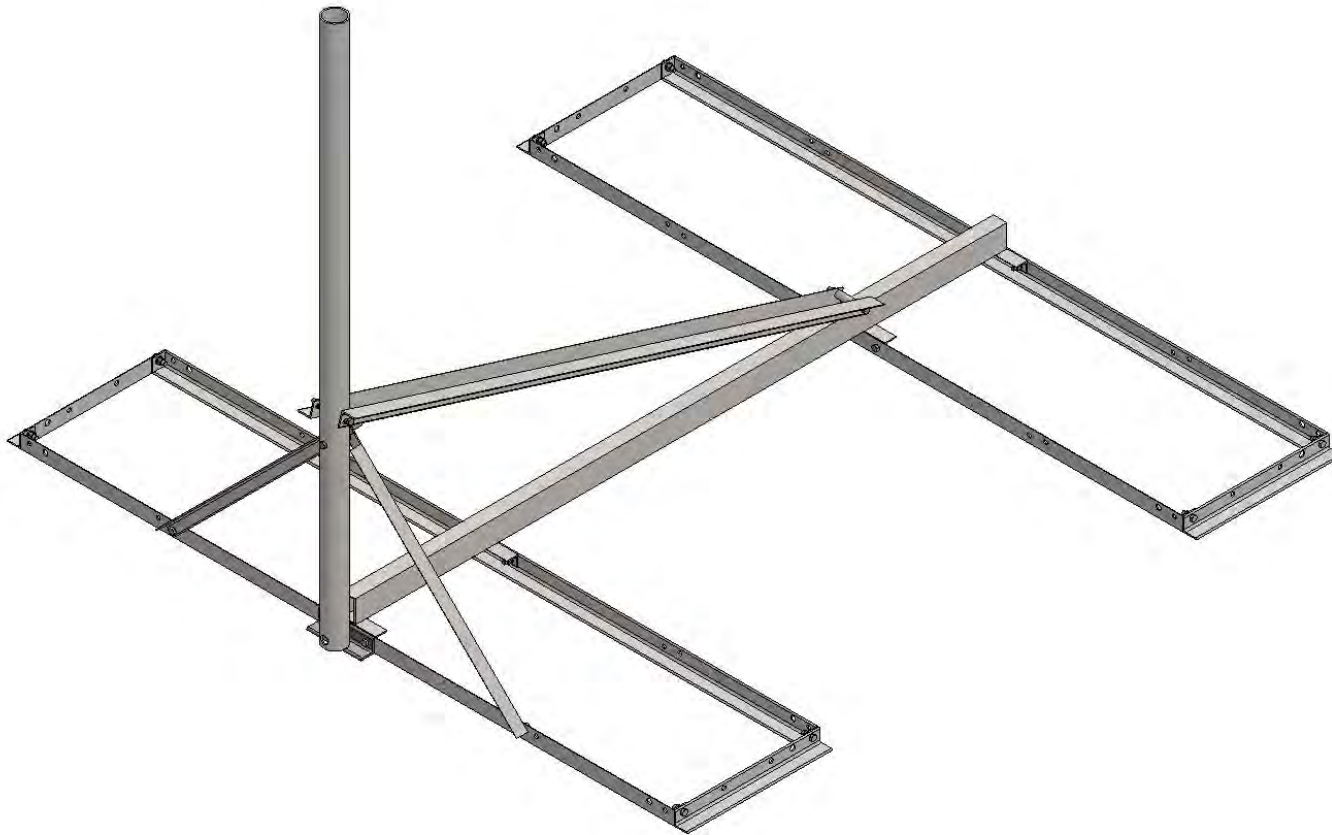
WATERLOO, IA 50703
PHONE: 319-233-3561
SALES@BAIRD MOUNTS.COM

TITLE:
B4-6X6DRB MOUNT WITH 3' MAST

DRAWN BY JK	DATE 06/14/13	
MATERIAL STEEL	FINISH HDG	
DWG. PURPOSE CUSTOMER	SHEET 2OF2	SCALE 1:25

PART. NO.
SEE TABLE-SHEET 1
DWG. NO.
B46DRB-(000)X3

PART NO.	MAST DIAMETER	WEIGHT
B46DRB-166X5	1.66"OD [42.2mm]	87 lbs. [39.5kg]
B46DRB-190X5	1.9"OD [48.3mm]	89 lbs. [40.4kg]
B46DRB-237X5	2.37"OD [60.3mm]	101 lbs. [45.8kg]
B46DRB-288X5	2.88"OD [73mm]	106 lbs. [48.1kg]



PROPRIETARY AND CONFIDENTIAL
 THE INFORMATION CONTAINED IN THIS DRAWING IS THE SOLE PROPERTY OF BAIRD SUPPORTING SYSTEMS. ANY REPRODUCTION IN PART OR AS A WHOLE WITHOUT THE WRITTEN PERMISSION OF BAIRD SUPPORTING SYSTEMS IS PROHIBITED.



WWW.BAIRD MOUNTS.COM

UNLESS OTHERWISE SPECIFIED:
 DIMENSIONS ARE IN INCHES
 TOLERANCES:
 FRACTIONAL ±
 ANGULAR: MACH ± BEND ±
 TWO PLACE DECIMAL ±
 THREE PLACE DECIMAL ±

DO NOT SCALE DRAWING

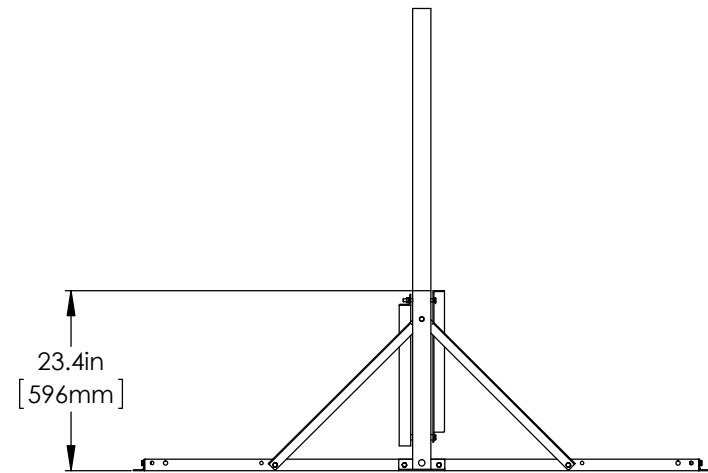
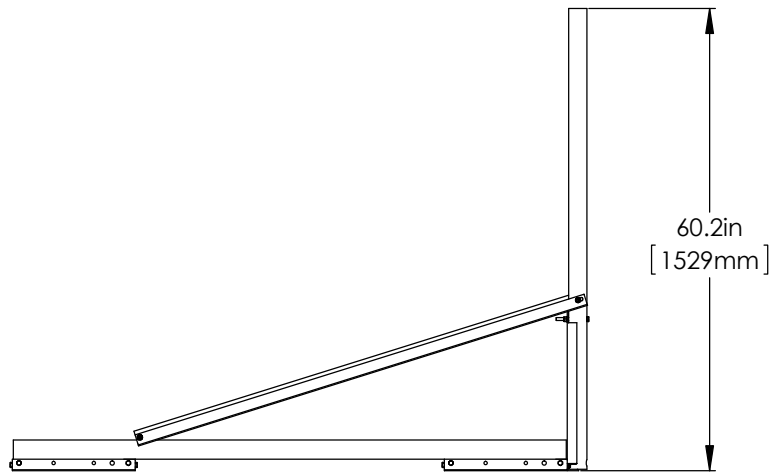
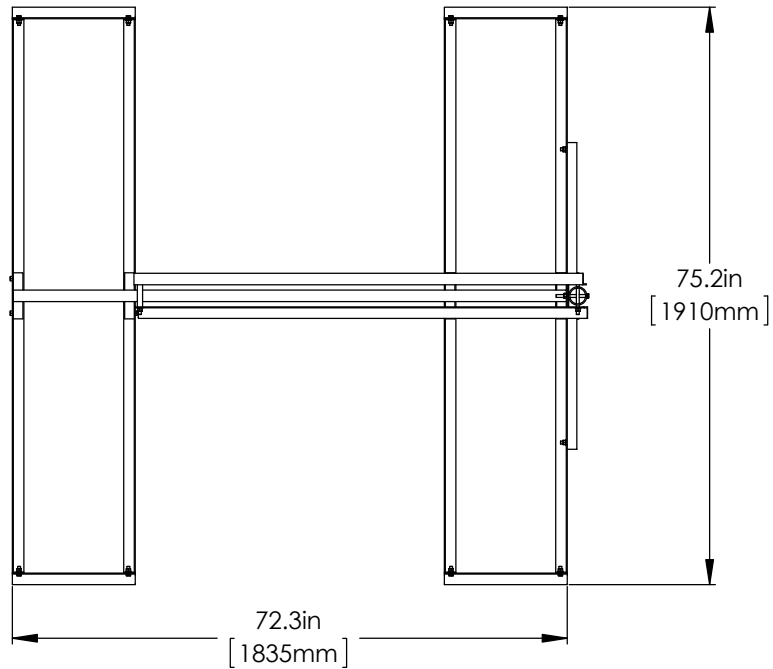
BAIRD MOUNTING SYSTEMS

WATERLOO, IA 50703
 PHONE: 319-233-3561
 SALES@BAIRD MOUNTS.COM

DESCRIPTION:
 B4-6X6DRB MOUNT WITH 5' MAST

DRAWN BY JK	DATE 06/18/13
MATERIAL STEEL	FINISH HDG
DWG. PURPOSE CUSTOMER	SHEET 1OF2
	SCALE 1:15

PART. NO.
SEE TABLE
 DWG. NO.
 B46DRB-(000)X5



PROPRIETARY AND CONFIDENTIAL
 THE INFORMATION CONTAINED IN THIS DRAWING IS THE SOLE PROPERTY OF BAIRD SUPPORTING SYSTEMS. ANY REPRODUCTION IN PART OR AS A WHOLE WITHOUT THE WRITTEN PERMISSION OF BAIRD SUPPORTING SYSTEMS IS PROHIBITED.



WWW.BAIRD MOUNTS.COM

UNLESS OTHERWISE SPECIFIED:
 DIMENSIONS ARE IN INCHES
 TOLERANCES:
 FRACTIONAL ±
 ANGULAR: MACH ± BEND ±
 TWO PLACE DECIMAL ±
 THREE PLACE DECIMAL ±

DO NOT SCALE DRAWING

BAIRD MOUNTING SYSTEMS

WATERLOO, IA 50703
 PHONE: 319-233-3561
 SALES@BAIRDMOUNTS.COM

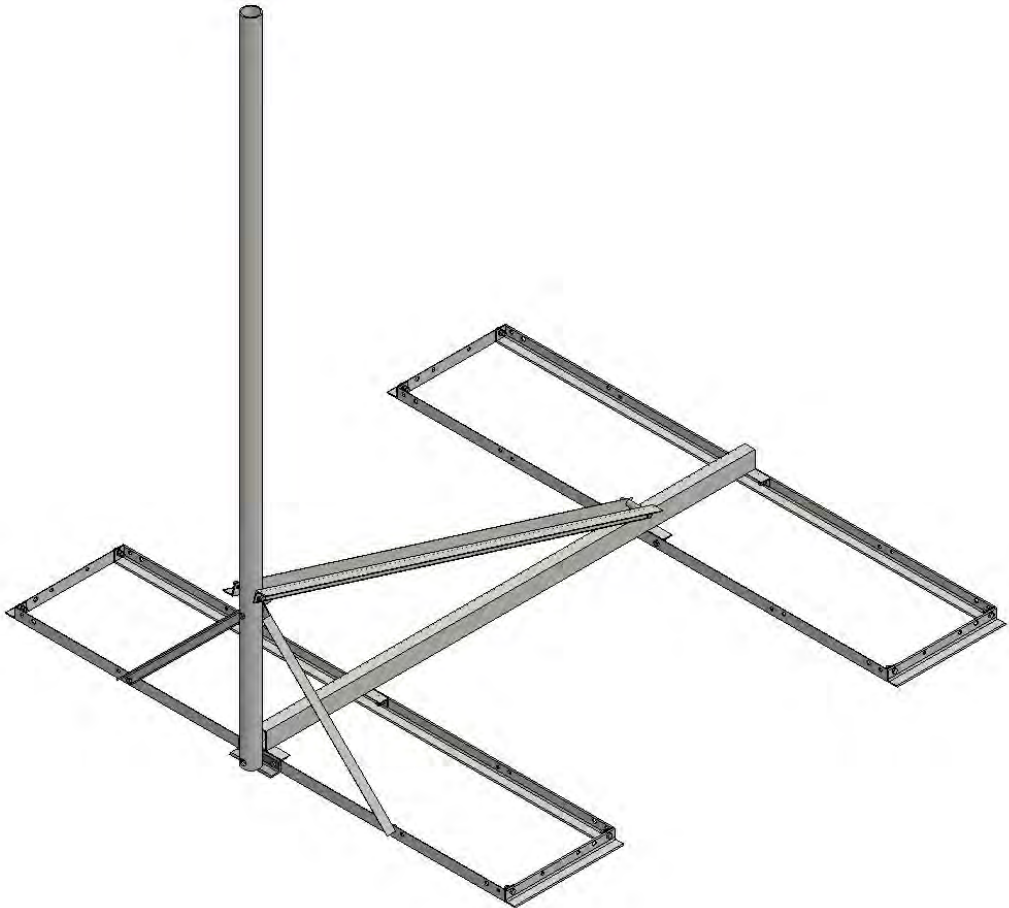
TITLE:
 B4-6X6DRB MOUNT WITH 5' MAST

DRAWN BY JK	DATE 06/14/13
MATERIAL STEEL	FINISH HDG
DWG. PURPOSE CUSTOMER	SHEET 2OF2
	SCALE 1:25

PART. NO.
 SEE TABLE-SHEET 1

DWG. NO.
 B46DRB-(000)X5

PART NO.	MAST DIAMETER	WEIGHT
B46DRB-166X8	1.66"OD [42.2mm]	94 lbs. [42.6kg]
B46DRB-190X8	1.9"OD [48.3mm]	97 lbs. [44.0kg]
B46DRB-237X8	2.37"OD [60.3mm]	112 lbs. [50.8kg]
B46DRB-288X8	2.88"OD [73mm]	124 lbs. [56.2kg]



PROPRIETARY AND CONFIDENTIAL
 THE INFORMATION CONTAINED IN THIS DRAWING IS THE SOLE PROPERTY OF BAIRD SUPPORTING SYSTEMS. ANY REPRODUCTION IN PART OR AS A WHOLE WITHOUT THE WRITTEN PERMISSION OF BAIRD SUPPORTING SYSTEMS IS PROHIBITED.



WWW.BAIRD MOUNTS.COM

UNLESS OTHERWISE SPECIFIED:
 DIMENSIONS ARE IN INCHES
 TOLERANCES:
 FRACTIONAL ±
 ANGULAR: MACH ± BEND ±
 TWO PLACE DECIMAL ±
 THREE PLACE DECIMAL ±

DO NOT SCALE DRAWING

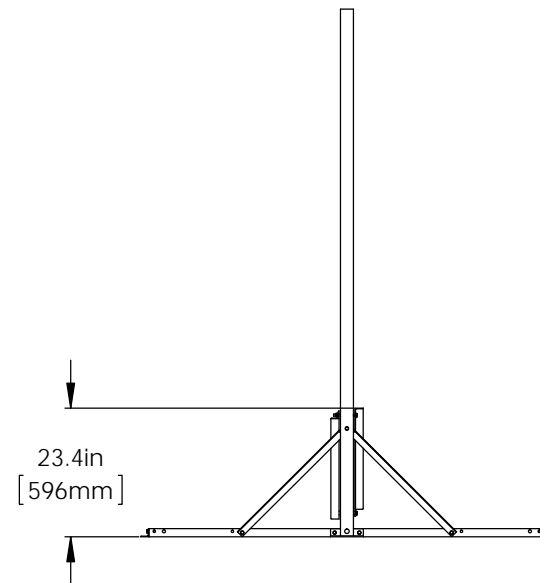
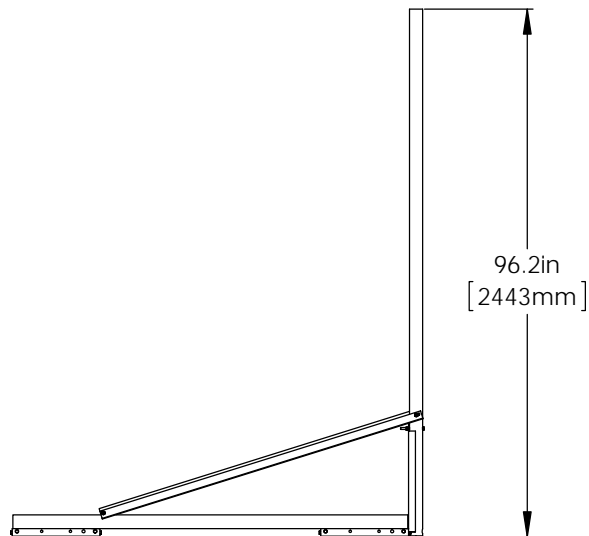
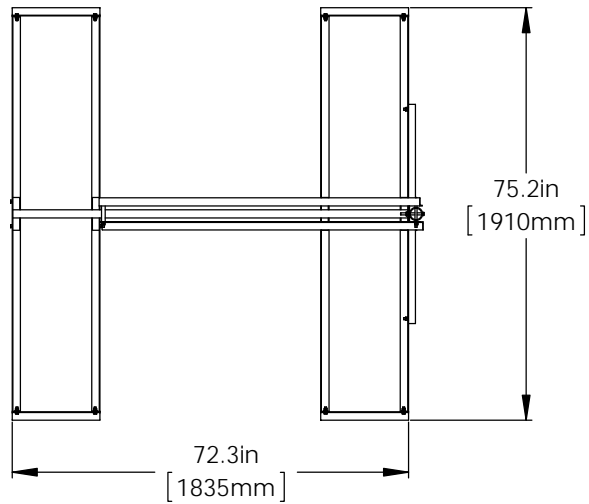
BAIRD MOUNTING SYSTEMS

WATERLOO, IA 50703
 PHONE: 319-233-3561
 SALES@BAIRD MOUNTS.COM

DESCRIPTION:
 B4-6X6DRB MOUNT WITH 8' MAST

DRAWN BY JK	DATE 06/18/13
MATERIAL STEEL	FINISH HDG
DWG. PURPOSE CUSTOMER	SHEET 1OF2
	SCALE 1:20

PART. NO.
SEE TABLE
 DWG. NO.
 B46DRB-(000)X8



PROPRIETARY AND CONFIDENTIAL
THE INFORMATION CONTAINED IN THIS DRAWING IS THE SOLE PROPERTY OF BAIRD SUPPORTING SYSTEMS. ANY REPRODUCTION IN PART OR AS A WHOLE WITHOUT THE WRITTEN PERMISSION OF BAIRD SUPPORTING SYSTEMS IS PROHIBITED.



WWW.BAIRD MOUNTS.COM

UNLESS OTHERWISE SPECIFIED:
DIMENSIONS ARE IN INCHES
TOLERANCES:
FRACTIONAL ±
ANGULAR: MACH ± BEND ±
TWO PLACE DECIMAL ±
THREE PLACE DECIMAL ±

DO NOT SCALE DRAWING

BAIRD MOUNTING SYSTEMS

WATERLOO, IA 50703
PHONE: 319-233-3561
SALES@BAIRD MOUNTS.COM

TITLE:
B4-6X6DRB MOUNT WITH 8' MAST

DRAWN BY JK	DATE 06/14/13	
MATERIAL STEEL	FINISH HDG	
DWG. PURPOSE CUSTOMER	SHEET 2OF2	SCALE 1:35

PART. NO.
SEE TABLE-SHEET 1

DWG. NO.
B46DRB-(000)X8

PART NO.	MAST DIAMETER	WEIGHT
B46DRB-166X10	1.66"OD [42.2mm]	99 lbs. [44.9kg]
B46DRB-190X10	1.9"OD [48.3mm]	102 lbs. [46.3kg]
B46DRB-237X10	2.37"OD [60.3mm]	120 lbs. [54.4kg]
B46DRB-288X10	2.88"OD [73mm]	136lbs. [61.7kg]



PROPRIETARY AND CONFIDENTIAL
 THE INFORMATION CONTAINED IN THIS DRAWING IS THE SOLE PROPERTY OF BAIRD SUPPORTING SYSTEMS. ANY REPRODUCTION IN PART OR AS A WHOLE WITHOUT THE WRITTEN PERMISSION OF BAIRD SUPPORTING SYSTEMS IS PROHIBITED.



WWW.BAIRD MOUNTS.COM

UNLESS OTHERWISE SPECIFIED:
 DIMENSIONS ARE IN INCHES
 TOLERANCES:
 FRACTIONAL ±
 ANGULAR: MACH ± BEND ±
 TWO PLACE DECIMAL ±
 THREE PLACE DECIMAL ±

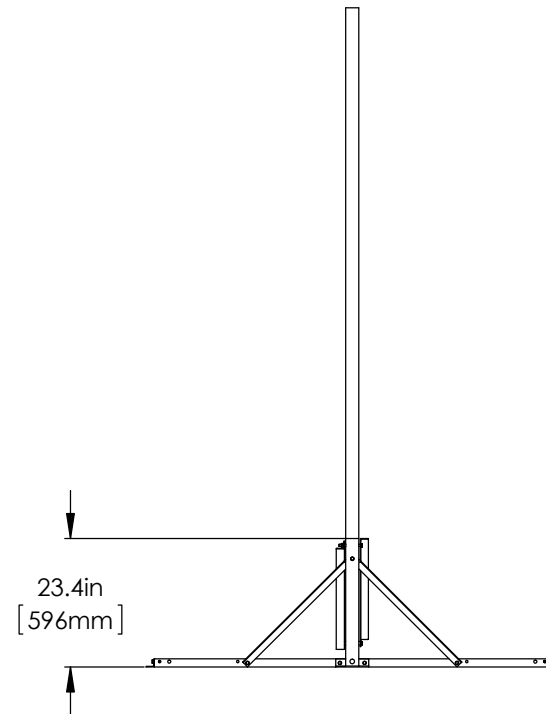
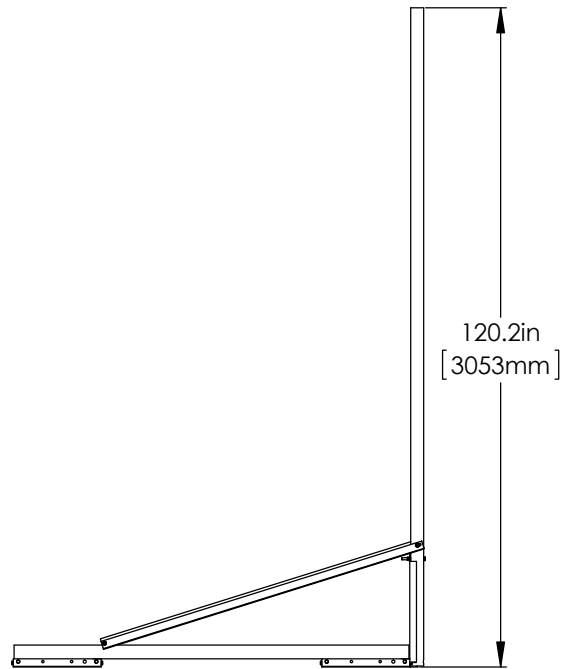
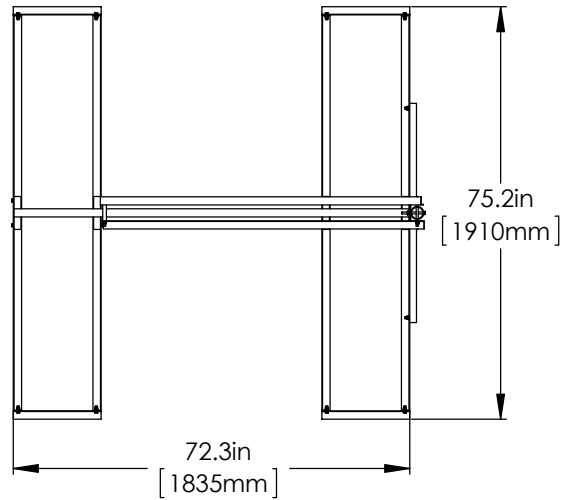
DO NOT SCALE DRAWING

BAIRD MOUNTING SYSTEMS

WATERLOO, IA 50703
 PHONE: 319-233-3561
 SALES@BAIRD MOUNTS.COM

DESCRIPTION:
 B4-6X6DRB MOUNT WITH 10' MAST

DRAWN BY JK	DATE 06/18/13	
MATERIAL STEEL	FINISH HDG	
DWG. PURPOSE CUSTOMER	SHEET 1OF2	SCALE 1:20
PART. NO. SEE TABLE		
DWG. NO. B46DRB-(000)X10		



PROPRIETARY AND CONFIDENTIAL
THE INFORMATION CONTAINED IN THIS DRAWING IS THE SOLE PROPERTY OF BAIRD SUPPORTING SYSTEMS. ANY REPRODUCTION IN PART OR AS A WHOLE WITHOUT THE WRITTEN PERMISSION OF BAIRD SUPPORTING SYSTEMS IS PROHIBITED.



WWW.BAIRD MOUNTS.COM

UNLESS OTHERWISE SPECIFIED:
DIMENSIONS ARE IN INCHES
TOLERANCES:
FRACTIONAL ±
ANGULAR: MACH ± BEND ±
TWO PLACE DECIMAL ±
THREE PLACE DECIMAL ±

DO NOT SCALE DRAWING

BAIRD MOUNTING SYSTEMS

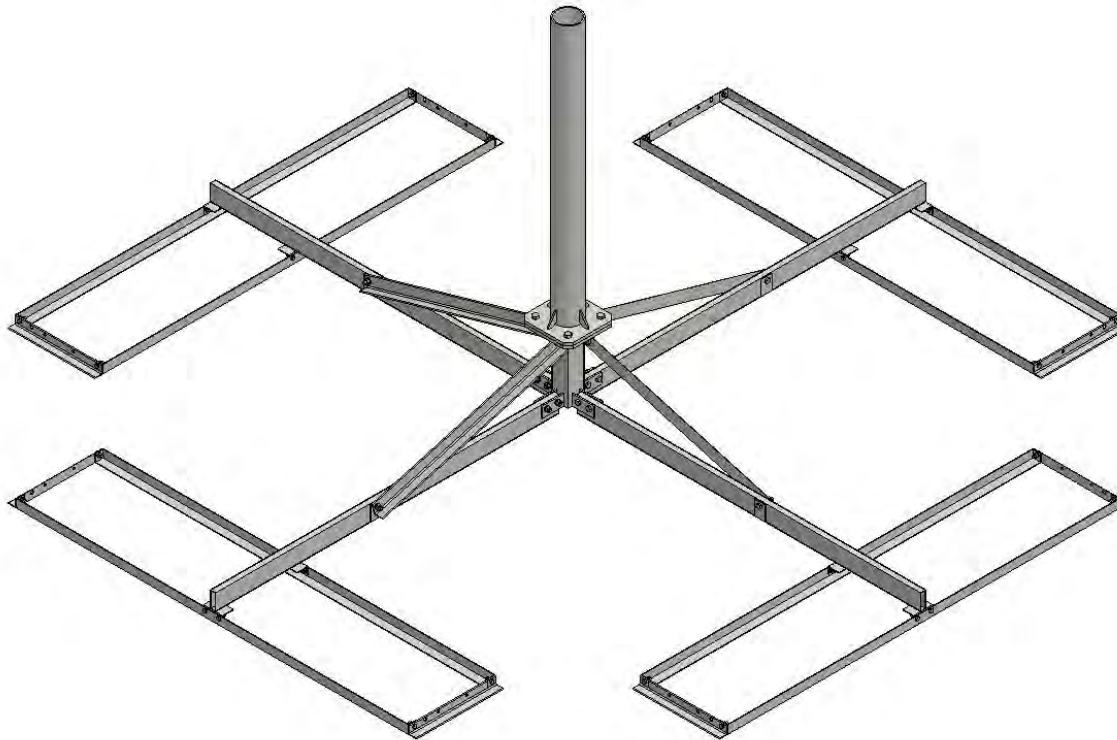
WATERLOO, IA 50703
PHONE: 319-233-3561
SALES@BAIRDMOUNTS.COM

TITLE:
B4-6X6DRB MOUNT WITH 10' MAST

DRAWN BY JK	DATE 06/18/13	
MATERIAL STEEL	FINISH HDG	
DWG. PURPOSE CUSTOMER	SHEET 2OF2	SCALE 1:35

PART. NO.
SEE TABLE-SHEET 1
DWG. NO.
B46DRB-(000)X10

PART NO.	MAST DIAMETER	WEIGHT
B6116-237X4	2.37"OD [60.3mm]	204 lbs. [92.5kg]
B6116-288X4	2.88"OD [73mm]	214 lbs. [97.0kg]
B6116-350X4	3.5"OD [88.9mm]	222 lbs. [100.7kg]
B6116-450X4	4.5"OD [114.3mm]	235 lbs. [106.6kg]



PROPRIETARY AND CONFIDENTIAL
 THE INFORMATION CONTAINED IN THIS DRAWING IS THE SOLE PROPERTY OF BAIRD SUPPORTING SYSTEMS. ANY REPRODUCTION IN PART OR AS A WHOLE WITHOUT THE WRITTEN PERMISSION OF BAIRD SUPPORTING SYSTEMS IS PROHIBITED.



WWW.BAIRD MOUNTS.COM

UNLESS OTHERWISE SPECIFIED:
 DIMENSIONS ARE IN INCHES
 TOLERANCES:
 FRACTIONAL ±
 ANGULAR: MACH ± BEND ±
 TWO PLACE DECIMAL ±
 THREE PLACE DECIMAL ±

DO NOT SCALE DRAWING

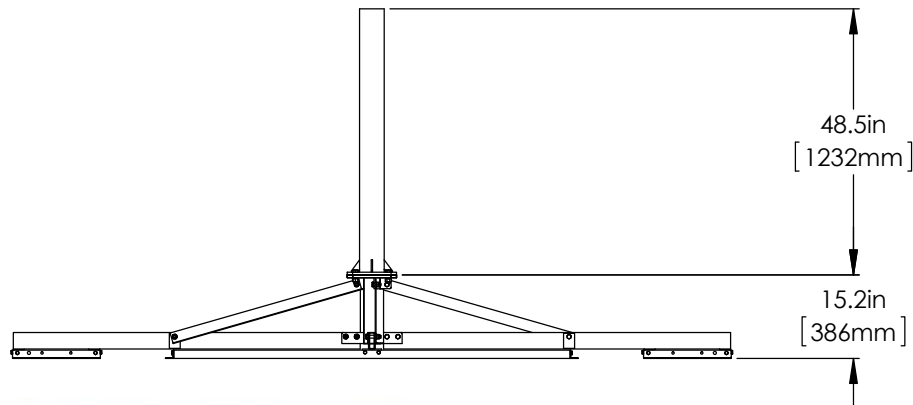
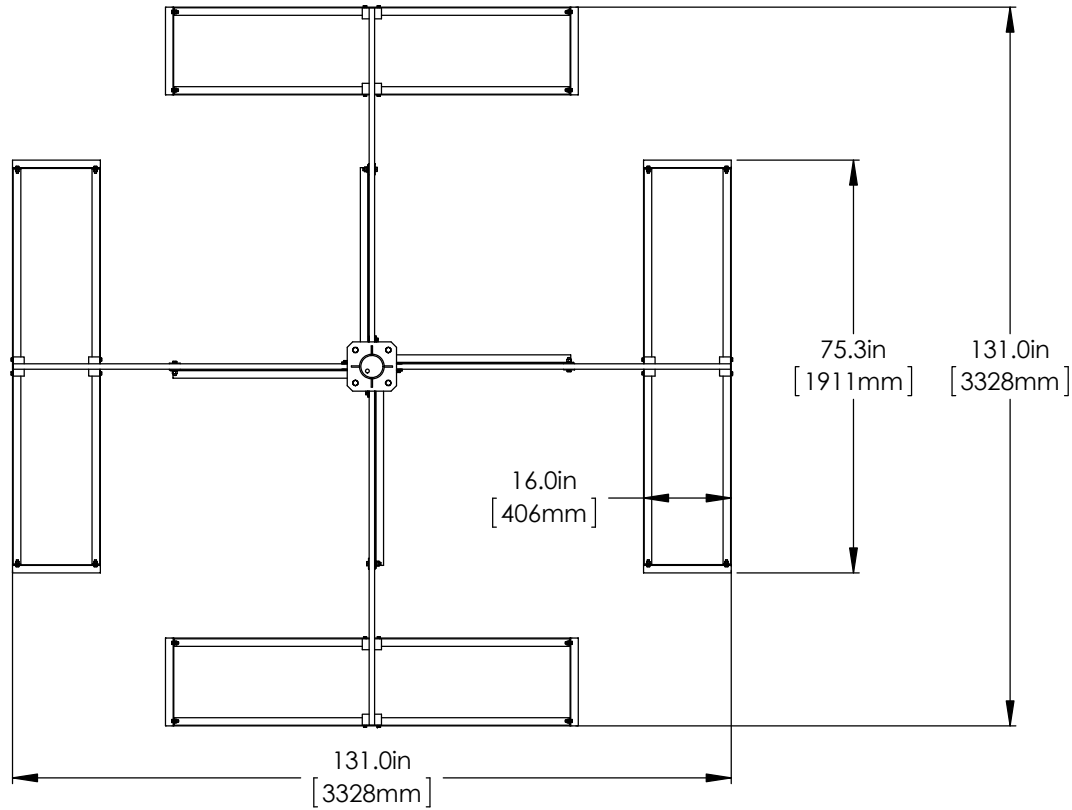
BAIRD MOUNTING SYSTEMS

WATERLOO, IA 50703
 PHONE: 319-233-3561
 SALES@BAIRD MOUNTS.COM

DESCRIPTION:
 B6-116 MOUNT WITH 4' MAST

DRAWN BY JK	DATE 06/18/13
MATERIAL STEEL	FINISH HDG
DWG. PURPOSE CUSTOMER	SHEET 1OF2
	SCALE 1:25

PART. NO.
SEE TABLE
 DWG. NO.
 B6116-(000)X4



PROPRIETARY AND CONFIDENTIAL
 THE INFORMATION CONTAINED IN THIS DRAWING IS THE SOLE PROPERTY OF BAIRD SUPPORTING SYSTEMS. ANY REPRODUCTION IN PART OR AS A WHOLE WITHOUT THE WRITTEN PERMISSION OF BAIRD SUPPORTING SYSTEMS IS PROHIBITED.



WWW.BAIRD MOUNTS.COM

UNLESS OTHERWISE SPECIFIED:
 DIMENSIONS ARE IN INCHES
 TOLERANCES:
 FRACTIONAL ±
 ANGULAR: MACH ± BEND ±
 TWO PLACE DECIMAL ±
 THREE PLACE DECIMAL ±

DO NOT SCALE DRAWING

BAIRD MOUNTING SYSTEMS

WATERLOO, IA 50703
 PHONE: 319-233-3561
 SALES@BAIRDMOUNTS.COM

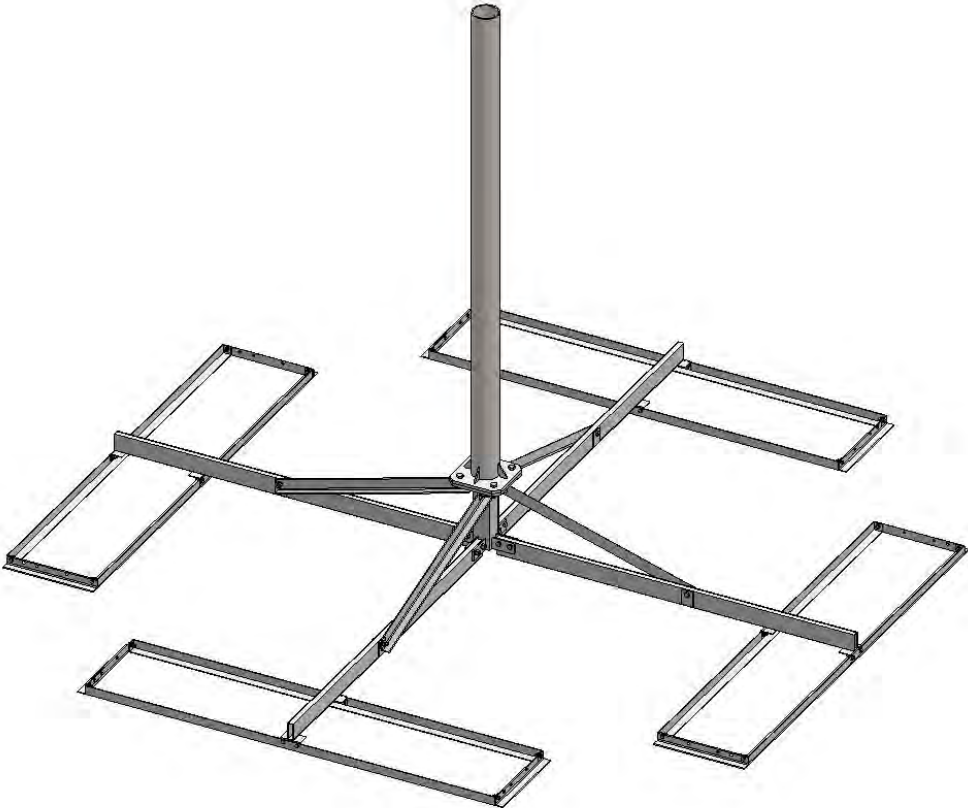
DESCRIPTION:
 B6-116 MOUNT WITH 4' MAST

DRAWN BY JK	DATE 06/18/13	
MATERIAL STEEL	FINISH HDG	
DWG. PURPOSE CUSTOMER	SHEET 2OF2	SCALE 1:25

PART. NO.
 SEE TABLE-SHEET 1

DWG. NO.
 B6116-(000)X4

PART NO.	MAST DIAMETER	WEIGHT
B6116-237X7	2.37"OD [60.3mm]	215 lbs. [97.5kg]
B6116-288X7	2.88"OD [73mm]	232 lbs. [105.2kg]
B6116-350X7	3.5"OD [88.9mm]	245 lbs. [111.1kg]
B6116-450X7	4.5"OD [114.3mm]	268 lbs. [121.6kg]



PROPRIETARY AND CONFIDENTIAL
 THE INFORMATION CONTAINED IN THIS DRAWING IS THE SOLE PROPERTY OF BAIRD SUPPORTING SYSTEMS. ANY REPRODUCTION IN PART OR AS A WHOLE WITHOUT THE WRITTEN PERMISSION OF BAIRD SUPPORTING SYSTEMS IS PROHIBITED.



WWW.BAIRD MOUNTS.COM

UNLESS OTHERWISE SPECIFIED:
 DIMENSIONS ARE IN INCHES
 TOLERANCES:
 FRACTIONAL ±
 ANGULAR: MACH ± BEND ±
 TWO PLACE DECIMAL ±
 THREE PLACE DECIMAL ±

DO NOT SCALE DRAWING

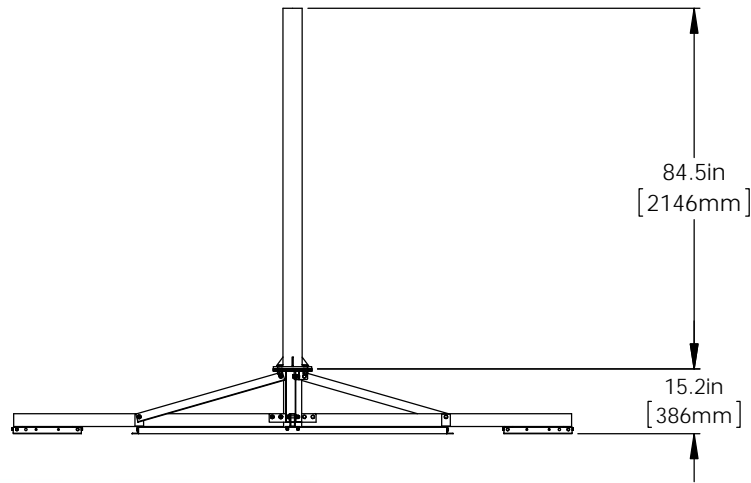
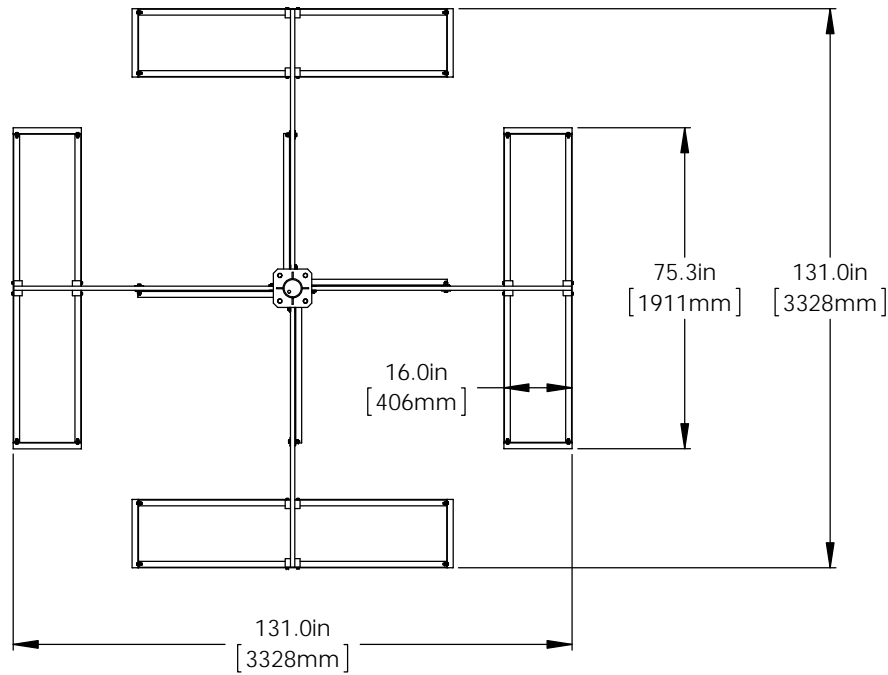
BAIRD MOUNTING SYSTEMS

WATERLOO, IA 50703
 PHONE: 319-233-3561
 SALES@BAIRD MOUNTS.COM

TITLE:
 B6-116 MOUNT WITH 7' MAST

DRAWN BY JK	DATE 08/16/13
MATERIAL STEEL	FINISH HDG
DWG. PURPOSE CUSTOMER	SHEET 1OF2
	SCALE 1:30

PART. NO.
SEE TABLE
 DWG. NO.
 B6116-(000)x7



PROPRIETARY AND CONFIDENTIAL
 THE INFORMATION CONTAINED IN THIS DRAWING IS THE SOLE PROPERTY OF BAIRD SUPPORTING SYSTEMS. ANY REPRODUCTION IN PART OR AS A WHOLE WITHOUT THE WRITTEN PERMISSION OF BAIRD SUPPORTING SYSTEMS IS PROHIBITED.



WWW.BAIRD MOUNTS.COM

UNLESS OTHERWISE SPECIFIED:
 DIMENSIONS ARE IN INCHES
 TOLERANCES:
 FRACTIONAL ±
 ANGULAR: MACH ± BEND ±
 TWO PLACE DECIMAL ±
 THREE PLACE DECIMAL ±

DO NOT SCALE DRAWING

BAIRD MOUNTING SYSTEMS

WATERLOO, IA 50703
 PHONE: 319-233-3561
 SALES@BAIRDMOUNTS.COM

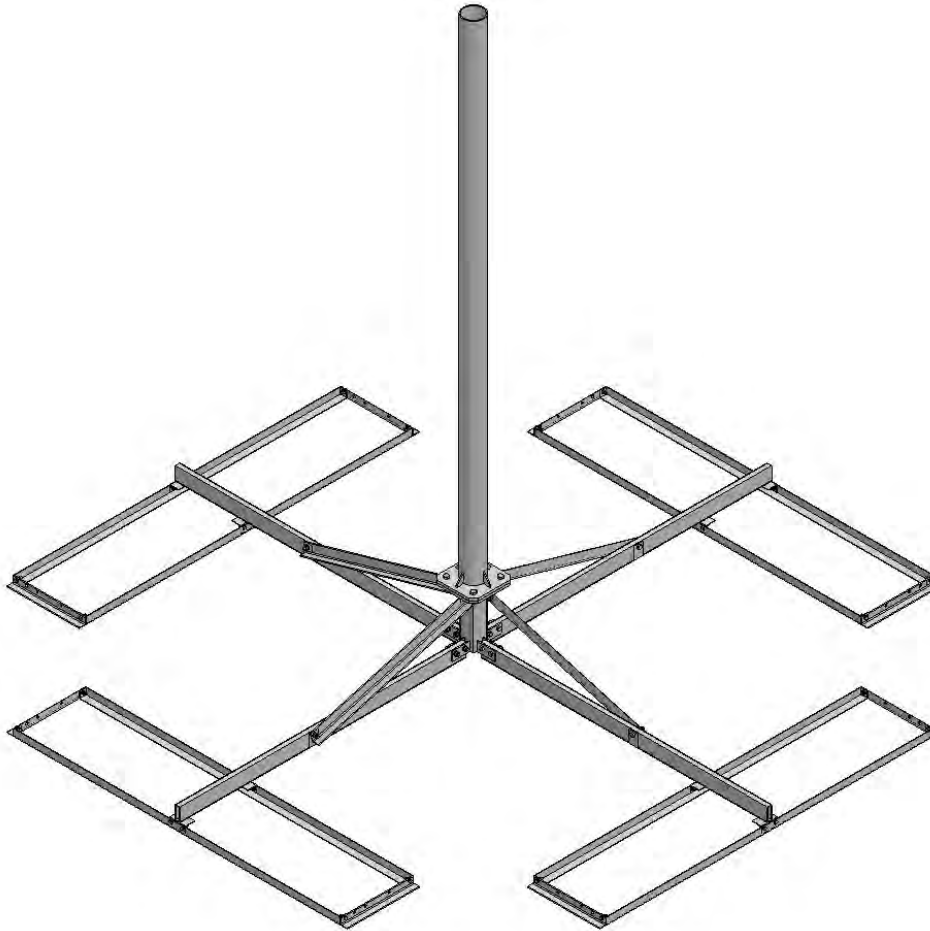
DESCRIPTION:
 B6-116 MOUNT WITH 7' MAST

DRAWN BY JK	DATE 08/16/13	
MATERIAL STEEL	FINISH HDG	
DWG. PURPOSE CUSTOMER	SHEET 2OF2	SCALE 1:30

PART. NO.
 SEE TABLE-SHEET 1

DWG. NO.
 B6116-(000)X7

PART NO.	MAST DIAMETER	WEIGHT
B6116-237X9	2.37"OD [60.3mm]	223 lbs. [101.2kg]
B6116-288X9	2.88"OD [73mm]	244 lbs. [110.7kg]
B6116-350X9	3.5"OD [88.9mm]	262 lbs. [118.8kg]
B6116-450X9	4.5"OD [114.3mm]	292 lbs. [132.4kg]



PROPRIETARY AND CONFIDENTIAL
 THE INFORMATION CONTAINED IN THIS DRAWING IS THE SOLE PROPERTY OF BAIRD SUPPORTING SYSTEMS. ANY REPRODUCTION IN PART OR AS A WHOLE WITHOUT THE WRITTEN PERMISSION OF BAIRD SUPPORTING SYSTEMS IS PROHIBITED.



WWW.BAIRD MOUNTS.COM

UNLESS OTHERWISE SPECIFIED:
 DIMENSIONS ARE IN INCHES
 TOLERANCES:
 FRACTIONAL ±
 ANGULAR: MACH ± BEND ±
 TWO PLACE DECIMAL ±
 THREE PLACE DECIMAL ±

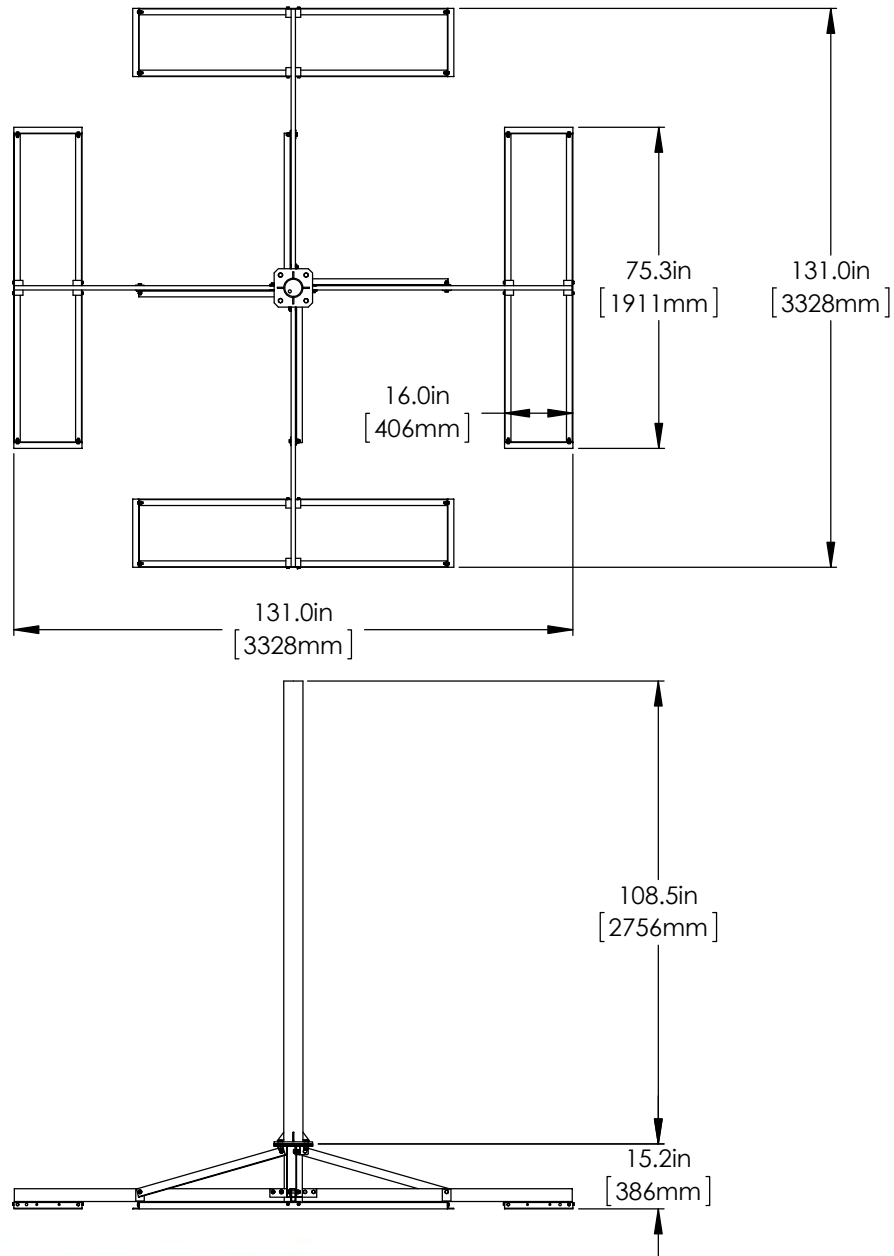
DO NOT SCALE DRAWING

BAIRD MOUNTING SYSTEMS

WATERLOO, IA 50703
 PHONE: 319-233-3561
 SALES@BAIRD MOUNTS.COM

DESCRIPTION:
 B6-116 MOUNT WITH 9' MAST

DRAWN BY JK	DATE 06/18/13
MATERIAL STEEL	FINISH HDG
DWG. PURPOSE CUSTOMER	SHEET 1OF2
SCALE 1:30	
PART. NO. SEE TABLE	
DWG. NO. B6116-(000)X9	



PROPRIETARY AND CONFIDENTIAL
 THE INFORMATION CONTAINED IN THIS DRAWING IS THE SOLE PROPERTY OF BAIRD SUPPORTING SYSTEMS. ANY REPRODUCTION IN PART OR AS A WHOLE WITHOUT THE WRITTEN PERMISSION OF BAIRD SUPPORTING SYSTEMS IS PROHIBITED.



WWW.BAIRD MOUNTS.COM

UNLESS OTHERWISE SPECIFIED:
 DIMENSIONS ARE IN INCHES
 TOLERANCES:
 FRACTIONAL ±
 ANGULAR: MACH ± BEND ±
 TWO PLACE DECIMAL ±
 THREE PLACE DECIMAL ±

DO NOT SCALE DRAWING

BAIRD MOUNTING SYSTEMS

WATERLOO, IA 50703
 PHONE: 319-233-3561
 SALES@BAIRDMOUNTS.COM

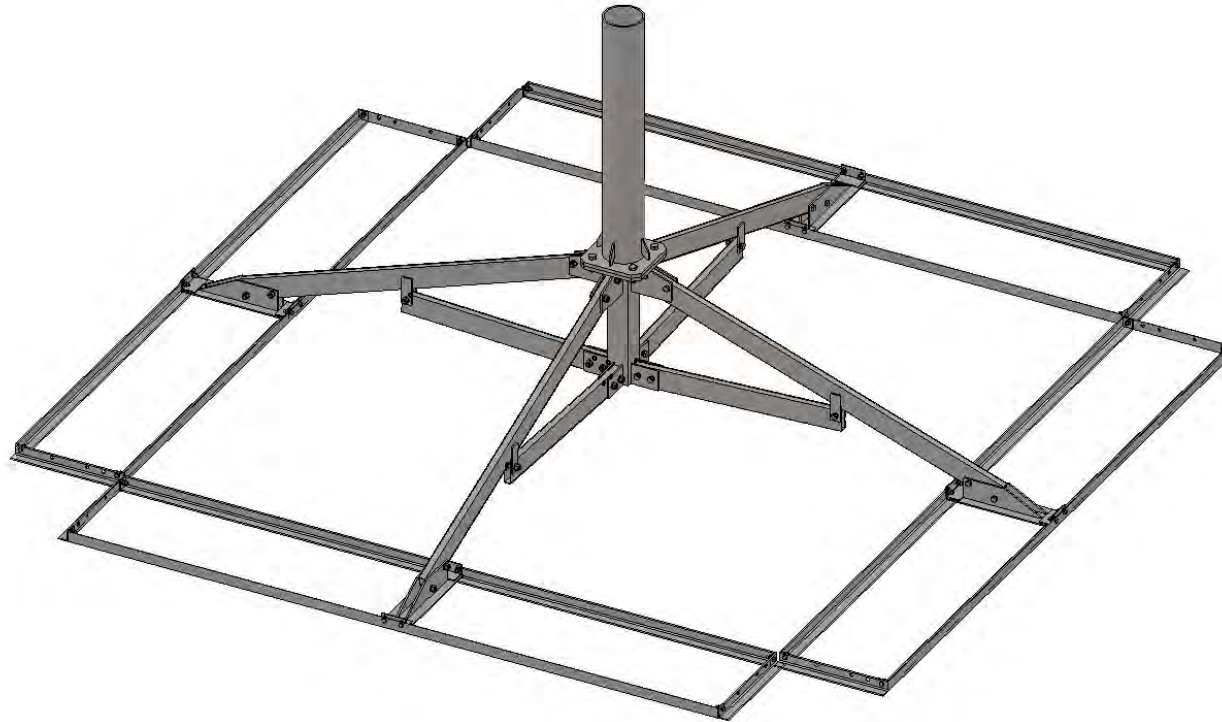
DESCRIPTION:
 B6-116 MOUNT WITH 9' MAST

DRAWN BY JK	DATE 06/18/13	
MATERIAL STEEL	FINISH HDG	
DWG. PURPOSE CUSTOMER	SHEET 2OF2	SCALE 1:45

PART. NO.
 SEE TABLE-SHEET 1

DWG. NO.
 B6116-(000)X9

PART NO.	MAST DIAMETER	WEIGHT
PS10-S-237X3	2.37"OD [60.3mm]	276 lbs. [125.2kg]
PS10-S-288X3	2.88"OD [73mm]	283 lbs. [128.4kg]
PS10-S-350X3	3.5"OD [88.9mm]	289 lbs. [131.1kg]
PS10-S-400X3	4"OD [101.6mm]	294 lbs. [133.4kg]
PS10-S-450X3	4.5"OD [114.3mm]	299 lbs. [135.6kg]
PS10-S-550X3	5.5"OD [139.7mm]	311 lbs. [141.1kg]
PS10-S-556X3	5.56"OD [141.3mm]	311 lbs. [141.1kg]
PS10-S-662X3	6.62"OD [168.3mm]	325 lbs. [147.4kg]



PROPRIETARY AND CONFIDENTIAL
 THE INFORMATION CONTAINED IN THIS DRAWING IS THE SOLE PROPERTY OF BAIRD SUPPORTING SYSTEMS. ANY REPRODUCTION IN PART OR AS A WHOLE WITHOUT THE WRITTEN PERMISSION OF BAIRD SUPPORTING SYSTEMS IS PROHIBITED.



WWW.BAIRD MOUNTS.COM

UNLESS OTHERWISE SPECIFIED:
 DIMENSIONS ARE IN INCHES
 TOLERANCES:
 FRACTIONAL ±
 ANGULAR: MACH ± BEND ±
 TWO PLACE DECIMAL ±
 THREE PLACE DECIMAL ±

DO NOT SCALE DRAWING

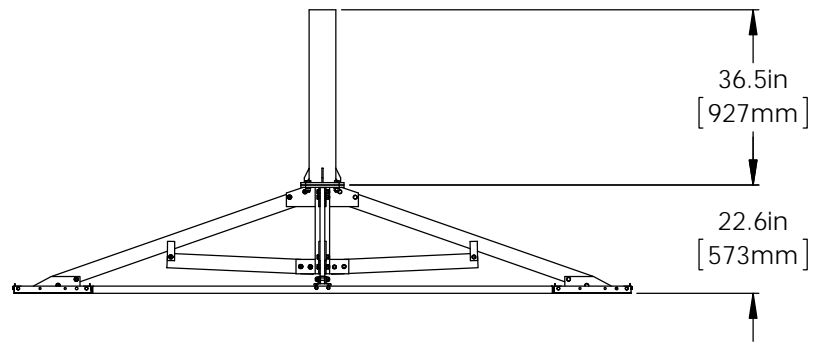
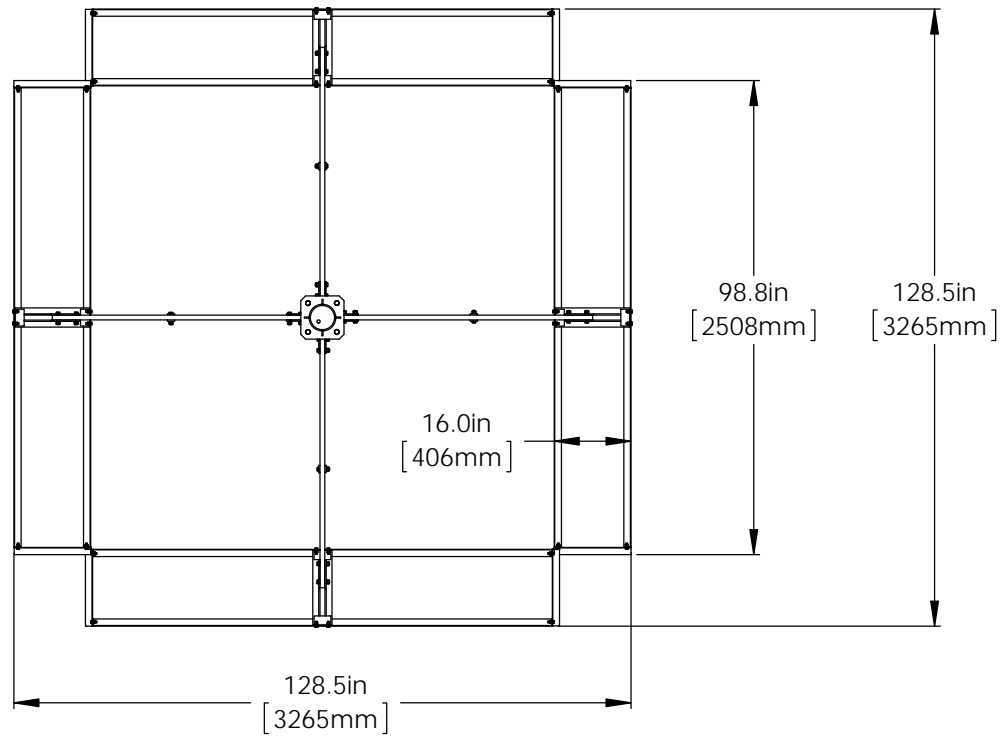
BAIRD MOUNTING SYSTEMS

WATERLOO, IA 50703
 PHONE: 319-233-3561
 SALES@BAIRDMOUNTS.COM

TITLE:
 PS10, SINGLE TRAY WITH 3' MAST

DRAWN BY JK	DATE 06/09/13
MATERIAL STEEL	FINISH HDG
DWG. PURPOSE CUSTOMER	SHEET 1OF2
	SCALE 1:25

PART. NO.
SEE TABLE
 DWG. NO.
 PS10-S-(000)X3



PROPRIETARY AND CONFIDENTIAL
 THE INFORMATION CONTAINED IN THIS DRAWING IS THE SOLE PROPERTY OF BAIRD SUPPORTING SYSTEMS. ANY REPRODUCTION IN PART OR AS A WHOLE WITHOUT THE WRITTEN PERMISSION OF BAIRD SUPPORTING SYSTEMS IS PROHIBITED.



WWW.BAIRD MOUNTS.COM

UNLESS OTHERWISE SPECIFIED:
 DIMENSIONS ARE IN INCHES
 TOLERANCES:
 FRACTIONAL ±
 ANGULAR: MACH ± BEND ±
 TWO PLACE DECIMAL ±
 THREE PLACE DECIMAL ±

DO NOT SCALE DRAWING

BAIRD MOUNTING SYSTEMS

WATERLOO, IA 50703
 PHONE: 319-233-3561
 SALES@BAIRD MOUNTS.COM

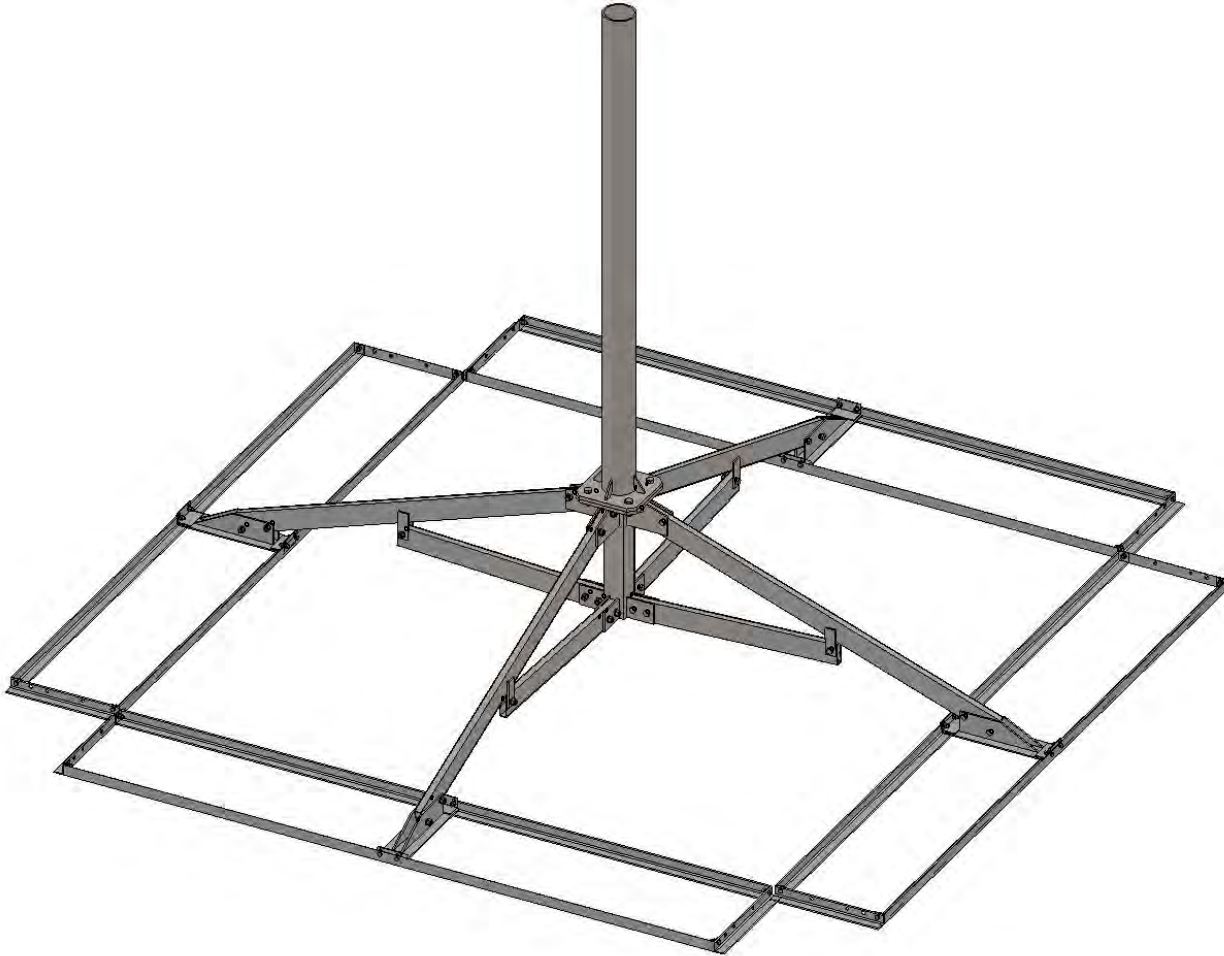
TITLE:
 PS10, SINGLE TRAY WITH 3' MAST

DRAWN BY JK	DATE 06/09/13
MATERIAL STEEL	FINISH HDG
DWG. PURPOSE CUSTOMER	SHEET 1OF2
	SCALE 1:40

PART. NO.
 SEE TABLE-SHEET 1

DWG. NO.
 PS10-S-(000)X3

PART NO.	MAST DIAMETER	WEIGHT
PS10-S-237X6	2.37"OD [60.3mm]	288 lbs. [130.6kg]
PS10-S-288X6	2.88"OD [73mm]	301 lbs. [136.5kg]
PS10-S-350X6	3.5"OD [88.9mm]	313 lbs. [142.0kg]
PS10-S-450X6	4.5"OD [114.3mm]	334 lbs. [151.5kg]



PROPRIETARY AND CONFIDENTIAL
 THE INFORMATION CONTAINED IN THIS DRAWING IS THE SOLE PROPERTY OF BAIRD SUPPORTING SYSTEMS. ANY REPRODUCTION IN PART OR AS A WHOLE WITHOUT THE WRITTEN PERMISSION OF BAIRD SUPPORTING SYSTEMS IS PROHIBITED.



WWW.BAIRD MOUNTS.COM

UNLESS OTHERWISE SPECIFIED:
 DIMENSIONS ARE IN INCHES
 TOLERANCES:
 FRACTIONAL ±
 ANGULAR: MACH ± BEND ±
 TWO PLACE DECIMAL ±
 THREE PLACE DECIMAL ±

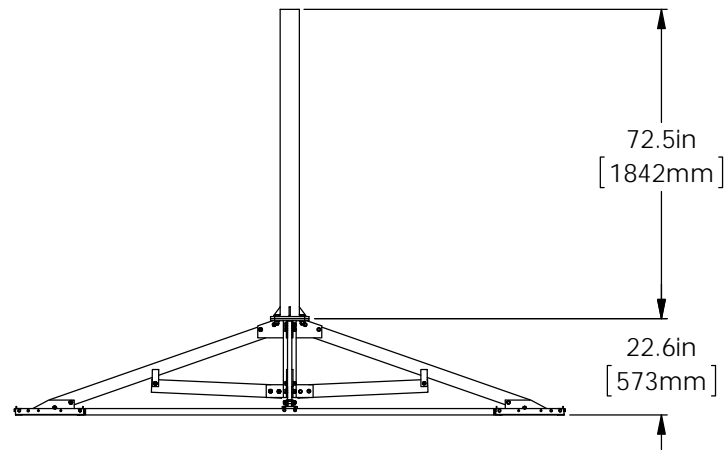
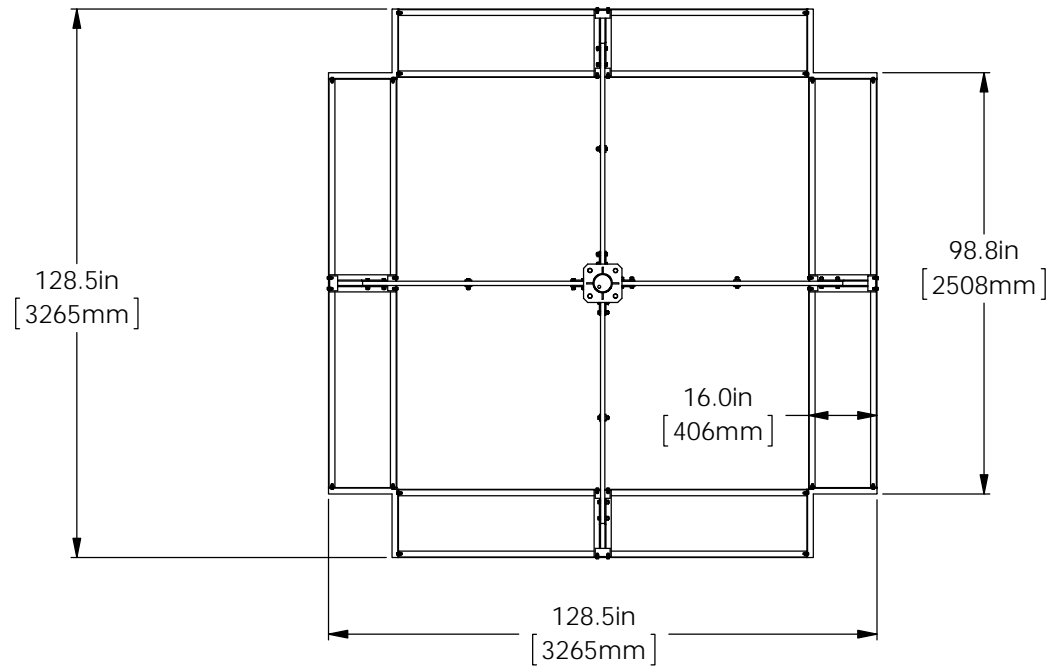
DO NOT SCALE DRAWING

BAIRD MOUNTING SYSTEMS

WATERLOO, IA 50703
 PHONE: 319-233-3561
 SALES@BAIRD MOUNTS.COM

DESCRIPTION:
 PS10, SINGLE TRAY WITH 6' MAST

DRAWN BY JK	DATE 08/16/13	
MATERIAL STEEL	FINISH HDG	
DWG. PURPOSE CUSTOMER	SHEET 10F2	SCALE 1:25
PART. NO. SEE TABLE		
DWG. NO. PS10-S-(000)X6		



PROPRIETARY AND CONFIDENTIAL
 THE INFORMATION CONTAINED IN THIS DRAWING IS THE SOLE PROPERTY OF BAIRD SUPPORTING SYSTEMS. ANY REPRODUCTION IN PART OR AS A WHOLE WITHOUT THE WRITTEN PERMISSION OF BAIRD SUPPORTING SYSTEMS IS PROHIBITED.



WWW.BAIRD MOUNTS.COM

UNLESS OTHERWISE SPECIFIED:
 DIMENSIONS ARE IN INCHES
 TOLERANCES:
 FRACTIONAL ±
 ANGULAR: MACH ± BEND ±
 TWO PLACE DECIMAL ±
 THREE PLACE DECIMAL ±

DO NOT SCALE DRAWING

BAIRD MOUNTING SYSTEMS

WATERLOO, IA 50703
 PHONE: 319-233-3561
 SALES@BAIRD MOUNTS.COM

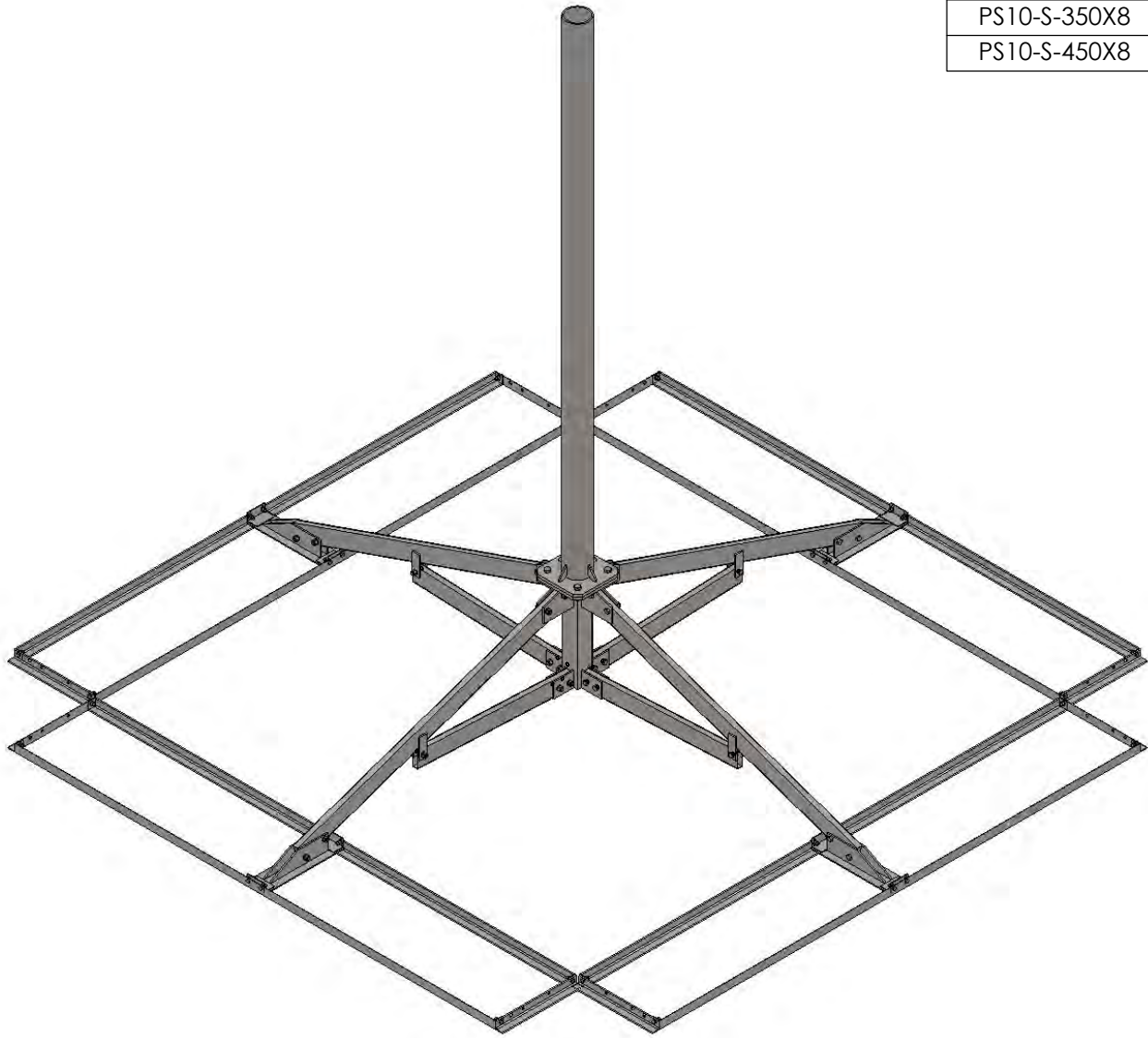
DESCRIPTION:
 PS10, SINGLE TRAY WITH 8' MAST

DRAWN BY JK	DATE 06/18/13	
MATERIAL STEEL	FINISH HDG	
DWG. PURPOSE CUSTOMER	SHEET 1OF2	SCALE 1:45

PART. NO.
 SEE TABLE-SHEET 1

DWG. NO.
 PS10-S-(000)X8

PART NO.	MAST DIAMETER	WEIGHT
PS10-S-237X8	2.37"OD [60.3mm]	295 lbs. [133.8kg]
PS10-S-288X8	2.88"OD [73mm]	313 lbs. [142.0kg]
PS10-S-350X8	3.5"OD [88.9mm]	329 lbs. [149.2kg]
PS10-S-450X8	4.5"OD [114.3mm]	356 lbs. [161.5kg]



PROPRIETARY AND CONFIDENTIAL
 THE INFORMATION CONTAINED IN THIS DRAWING IS THE SOLE PROPERTY OF BAIRD SUPPORTING SYSTEMS. ANY REPRODUCTION IN PART OR AS A WHOLE WITHOUT THE WRITTEN PERMISSION OF BAIRD SUPPORTING SYSTEMS IS PROHIBITED.



WWW.BAIRD MOUNTS.COM

UNLESS OTHERWISE SPECIFIED:
 DIMENSIONS ARE IN INCHES
 TOLERANCES:
 FRACTIONAL ±
 ANGULAR: MACH ± BEND ±
 TWO PLACE DECIMAL ±
 THREE PLACE DECIMAL ±

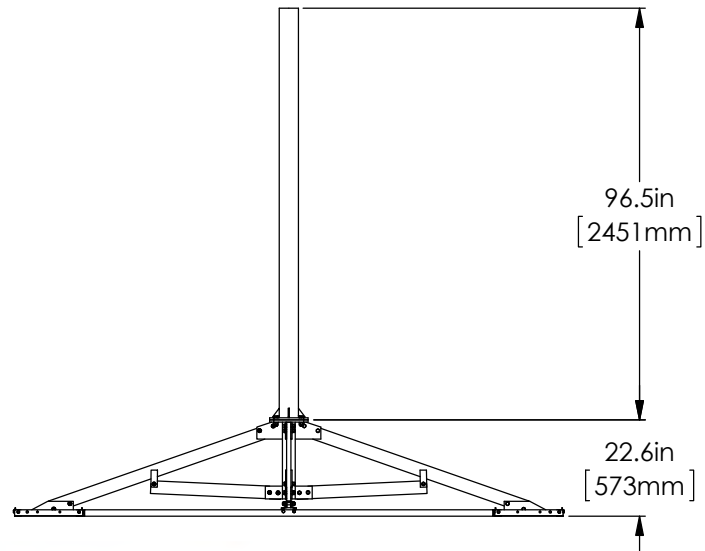
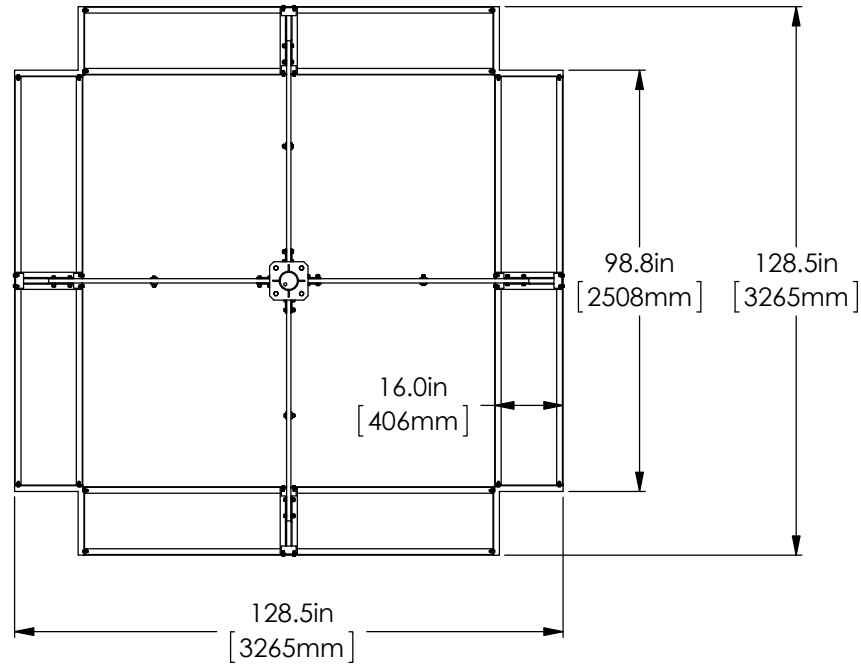
DO NOT SCALE DRAWING

BAIRD MOUNTING SYSTEMS

WATERLOO, IA 50703
 PHONE: 319-233-3561
 SALES@BAIRDMOUNTS.COM

DESCRIPTION:
 PS10, SINGLE TRAY WITH 8' MAST

DRAWN BY JK	DATE 06/18/13	
MATERIAL STEEL	FINISH HDG	
DWG. PURPOSE CUSTOMER	SHEET 1OF2	SCALE 1:25
PART. NO. SEE TABLE		
DWG. NO. PS10-S-(000)X8		



PROPRIETARY AND CONFIDENTIAL
 THE INFORMATION CONTAINED IN THIS DRAWING IS THE SOLE PROPERTY OF BAIRD SUPPORTING SYSTEMS. ANY REPRODUCTION IN PART OR AS A WHOLE WITHOUT THE WRITTEN PERMISSION OF BAIRD SUPPORTING SYSTEMS IS PROHIBITED.



WWW.BAIRD MOUNTS.COM

UNLESS OTHERWISE SPECIFIED:
 DIMENSIONS ARE IN INCHES
 TOLERANCES:
 FRACTIONAL ±
 ANGULAR: MACH ± BEND ±
 TWO PLACE DECIMAL ±
 THREE PLACE DECIMAL ±

DO NOT SCALE DRAWING

BAIRD MOUNTING SYSTEMS

WATERLOO, IA 50703
 PHONE: 319-233-3561
 SALES@BAIRD MOUNTS.COM

DESCRIPTION:
 PS10, SINGLE TRAY WITH 8' MAST

DRAWN BY JK	DATE 06/18/13
MATERIAL STEEL	FINISH HDG
DWG. PURPOSE CUSTOMER	SHEET 1OF2
	SCALE 1:45

PART. NO.
 SEE TABLE-SHEET 1

DWG. NO.
 PS10-S-(000)X8

PART NO.	MAST DIAMETER	WEIGHT
PL2-S-237X8	2.37"OD [60.3mm]	389 lbs. [176.4kg]
PL2-S-288X8	2.88"OD [73mm]	407 lbs. [184.6kg]
PL2-S-350X8	3.5"OD [88.9mm]	423 lbs. [191.9kg]
PL2-S-450X8	4.5"OD [114.3mm]	450 lbs. [204.1kg]



PROPRIETARY AND CONFIDENTIAL
 THE INFORMATION CONTAINED IN THIS DRAWING IS THE SOLE PROPERTY OF BAIRD SUPPORTING SYSTEMS. ANY REPRODUCTION IN PART OR AS A WHOLE WITHOUT THE WRITTEN PERMISSION OF BAIRD SUPPORTING SYSTEMS IS PROHIBITED.



WWW.BAIRD MOUNTS.COM

UNLESS OTHERWISE SPECIFIED:
 DIMENSIONS ARE IN INCHES
 TOLERANCES:
 FRACTIONAL ±
 ANGULAR: MACH ± BEND ±
 TWO PLACE DECIMAL ±
 THREE PLACE DECIMAL ±

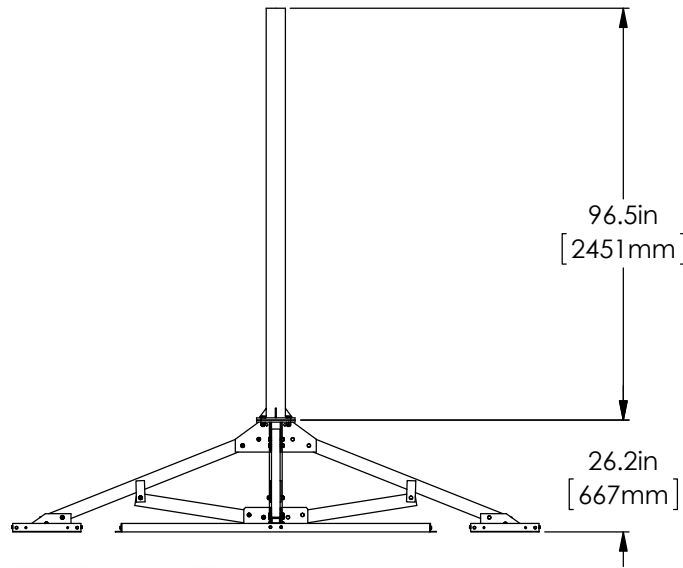
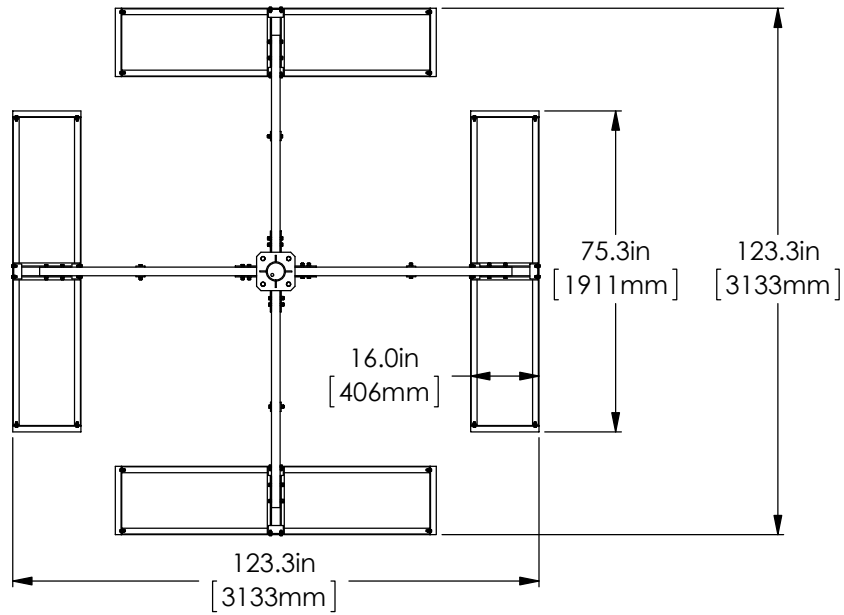
DO NOT SCALE DRAWING

BAIRD MOUNTING SYSTEMS

WATERLOO, IA 50703
 PHONE: 319-233-3561
 SALES@BAIRD MOUNTS.COM

DESCRIPTION:
 PL2, SINGLE TRAY WITH 8' MAST

DRAWN BY JK	DATE 06/18/13	
MATERIAL STEEL	FINISH HDG	
DWG. PURPOSE CUSTOMER	SHEET 1OF2	SCALE 1:25
PART. NO. SEE TABLE		
DWG. NO. PL2-S-(000)X8		



PROPRIETARY AND CONFIDENTIAL
 THE INFORMATION CONTAINED IN THIS DRAWING IS THE SOLE PROPERTY OF BAIRD SUPPORTING SYSTEMS. ANY REPRODUCTION IN PART OR AS A WHOLE WITHOUT THE WRITTEN PERMISSION OF BAIRD SUPPORTING SYSTEMS IS PROHIBITED.



WWW.BAIRD MOUNTS.COM

UNLESS OTHERWISE SPECIFIED:
 DIMENSIONS ARE IN INCHES
 TOLERANCES:
 FRACTIONAL ±
 ANGULAR: MACH ± BEND ±
 TWO PLACE DECIMAL ±
 THREE PLACE DECIMAL ±

DO NOT SCALE DRAWING

BAIRD MOUNTING SYSTEMS

WATERLOO, IA 50703
 PHONE: 319-233-3561
 SALES@BAIRD MOUNTS.COM

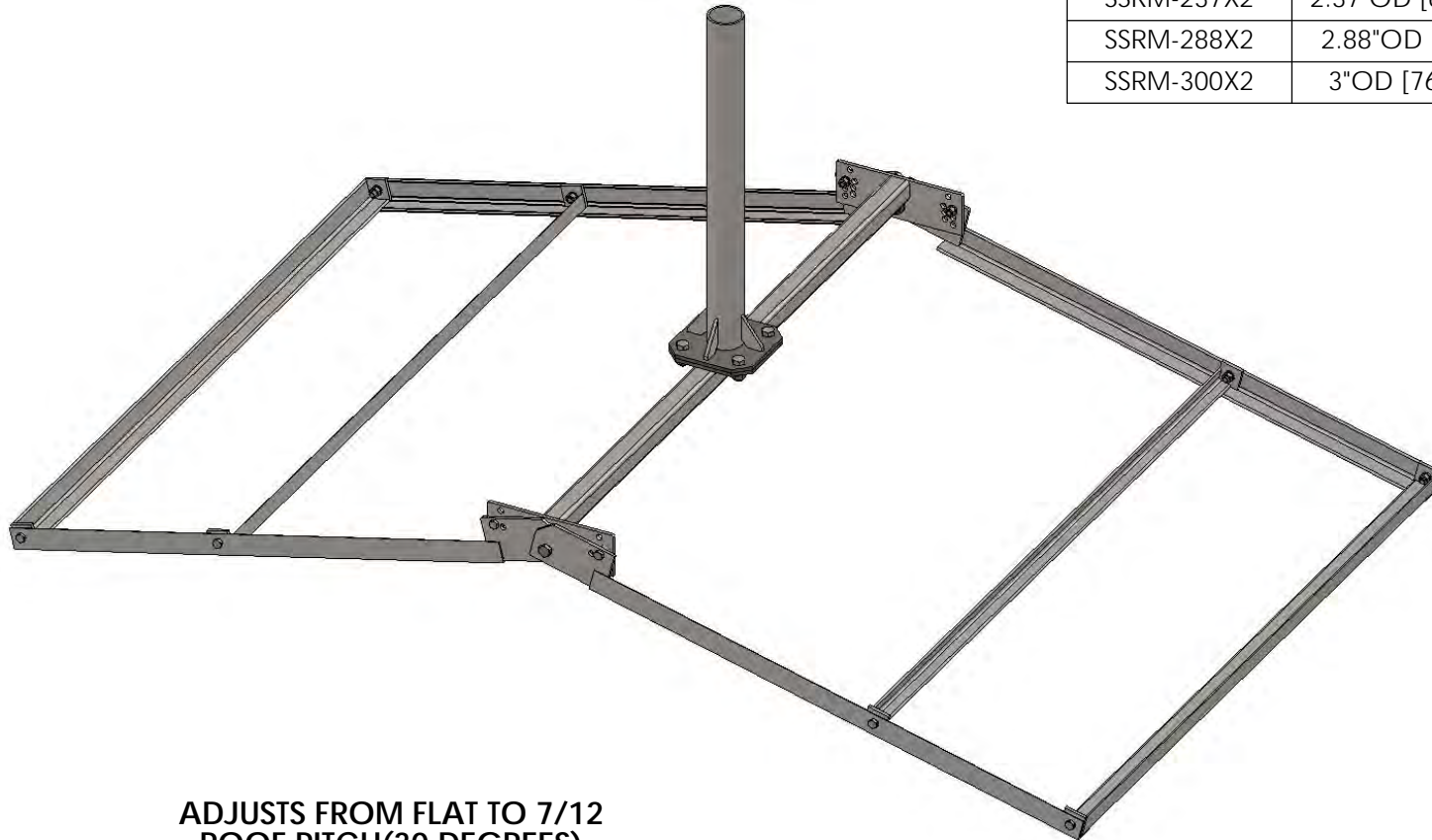
DESCRIPTION:
 PL2, SINGLE TRAY WITH 8' MAST

DRAWN BY JK	DATE 06/18/13	
MATERIAL STEEL	FINISH HDG	
DWG. PURPOSE CUSTOMER	SHEET 1OF2	SCALE 1:45

PART. NO.
 SEE TABLE-SHEET 1

DWG. NO.
 PL2-S-(000)X8

PART NO.	MAST DIAMETER	WEIGHT
SSRM-131X2	1.31"OD [33.4mm]	65 lbs. [29.5kg]
SSRM-166X2	1.66"OD [42.2mm]	66 lbs. [29.9kg]
SSRM-190X2	1.90"OD [48.3mm]	66 lbs. [29.9kg]
SSRM-200X2	2"OD [50.8mm]	66 lbs. [29.9kg]
SSRM-237X2	2.37"OD [60.3mm]	67 lbs. [30.4kg]
SSRM-288X2	2.88"OD [73mm]	68 lbs. [30.8kg]
SSRM-300X2	3"OD [76.2mm]	68 lbs. [30.8kg]



**ADJUSTS FROM FLAT TO 7/12
ROOF PITCH(30 DEGREES)**

PROPRIETARY AND CONFIDENTIAL
THE INFORMATION CONTAINED IN THIS DRAWING IS THE SOLE PROPERTY OF BAIRD SUPPORTING SYSTEMS. ANY REPRODUCTION IN PART OR AS A WHOLE WITHOUT THE WRITTEN PERMISSION OF BAIRD SUPPORTING SYSTEMS IS PROHIBITED.



WWW.BAIRD MOUNTS.COM

UNLESS OTHERWISE SPECIFIED:
DIMENSIONS ARE IN INCHES
TOLERANCES:
FRACTIONAL ±
ANGULAR: MACH ± BEND ±
TWO PLACE DECIMAL ±
THREE PLACE DECIMAL ±

DO NOT SCALE DRAWING

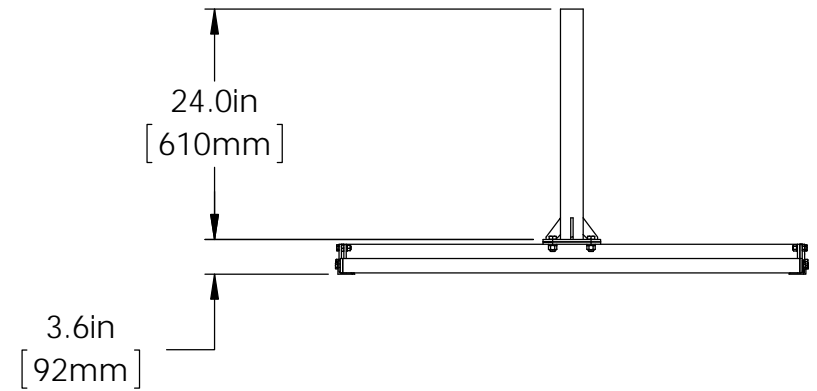
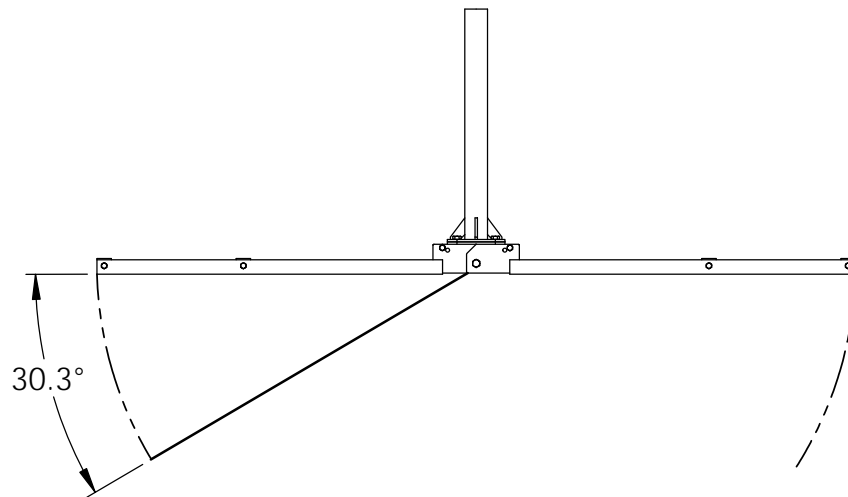
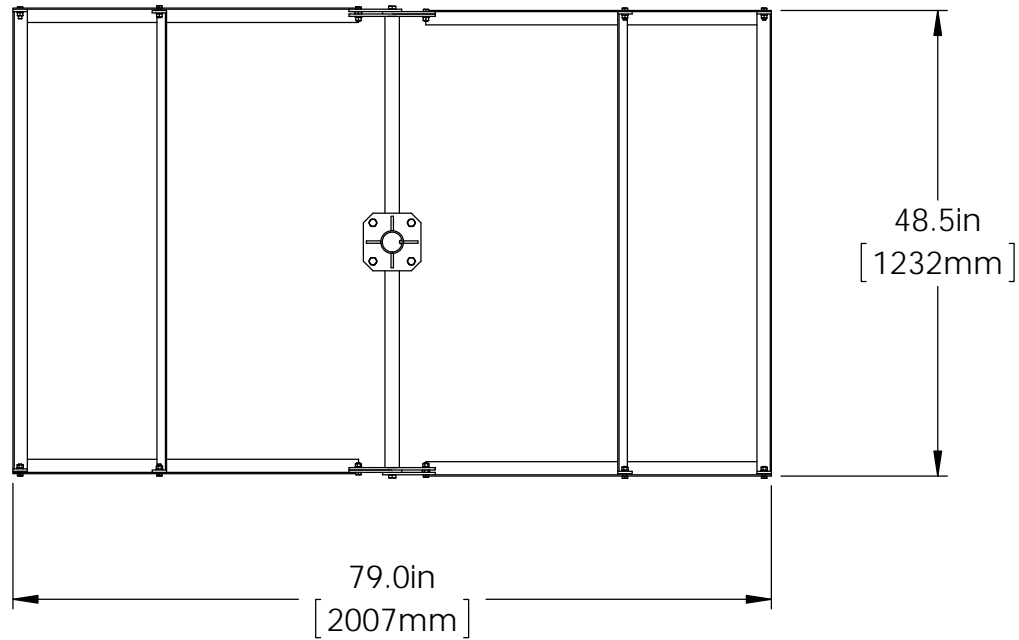
BAIRD MOUNTING SYSTEMS

WATERLOO, IA 50703
PHONE: 319-233-3561
SALES@BAIRD MOUNTS.COM

TITLE:
SS-RIDGEMOUNT WITH 2' MAST

DRAWN BY JK	DATE 05/31/13
MATERIAL STEEL	FINISH HDG
DWG. PURPOSE CUSTOMER	SHEET 1 OF 2
	SCALE 1:12

PART. NO.
SEE TABLE
DWG. NO.
SSRM-(000)X2



PROPRIETARY AND CONFIDENTIAL
THE INFORMATION CONTAINED IN THIS DRAWING IS THE SOLE PROPERTY OF BAIRD SUPPORTING SYSTEMS. ANY REPRODUCTION IN PART OR AS A WHOLE WITHOUT THE WRITTEN PERMISSION OF BAIRD SUPPORTING SYSTEMS IS PROHIBITED.



UNLESS OTHERWISE SPECIFIED:
DIMENSIONS ARE IN INCHES
TOLERANCES:
FRACTIONAL ±
ANGULAR: MACH ± BEND ±
TWO PLACE DECIMAL ±
THREE PLACE DECIMAL ±

DO NOT SCALE DRAWING

BAIRD MOUNTING SYSTEMS

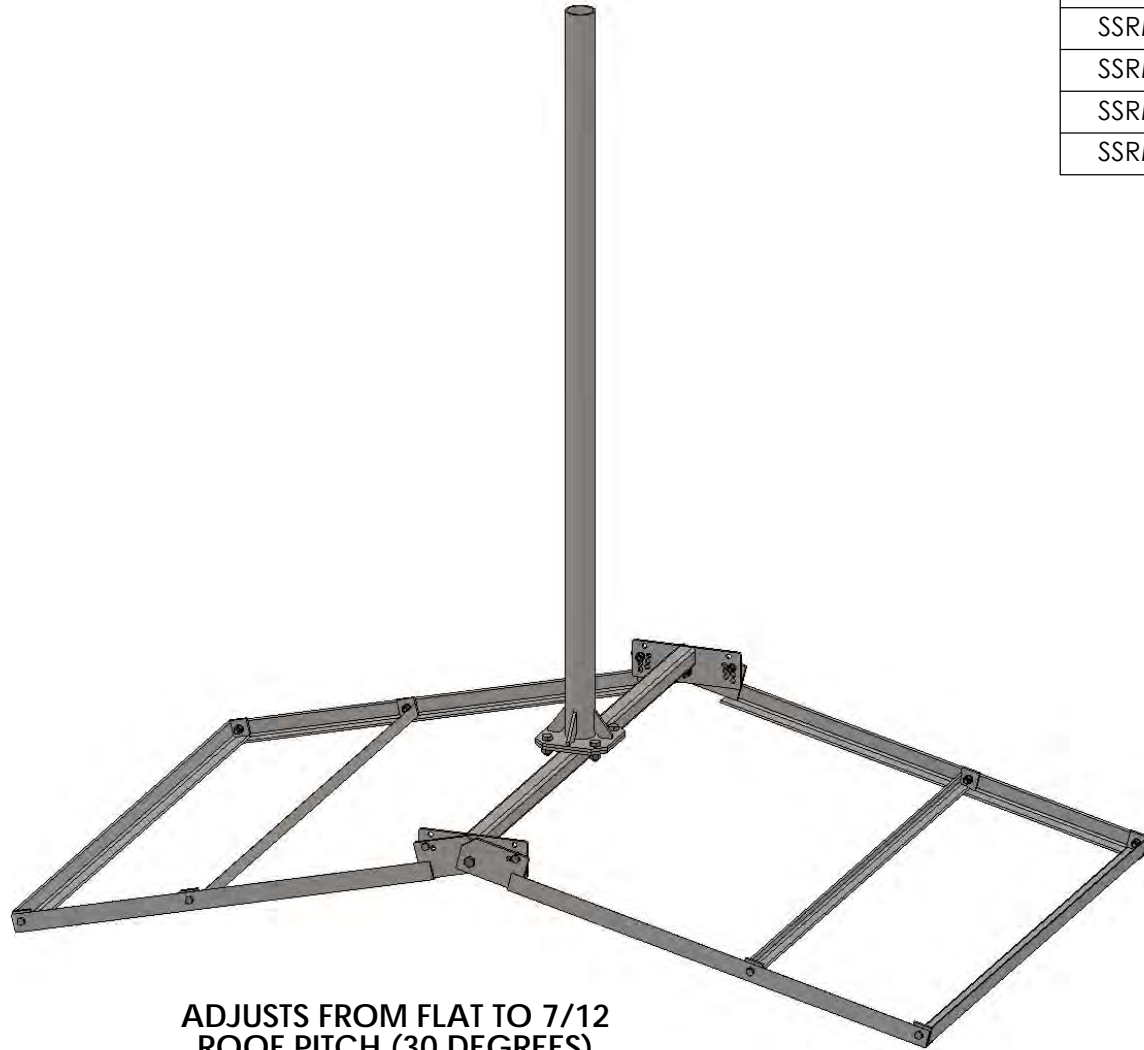
WATERLOO, IA 50703
PHONE: 319-233-3561
SALES@BAIRDMOUNTS.COM

TITLE:
SS-RIDGEMOUNT WITH 2' MAST

DRAWN BY JK	DATE 05/31/13	
MATERIAL STEEL	FINISH HDG	
DWG. PURPOSE CUSTOMER	SHEET 2OF2	SCALE 1:20

PART. NO.
SEE TABLE-SHEET 1

DWG. NO.
SSRM-(000)X2



**ADJUSTS FROM FLAT TO 7/12
ROOF PITCH (30 DEGREES)**

PART NO.	MAST DIAMETER	WEIGHT
SSRM-131X5	1.31"OD [33.4mm]	70 lbs. [31.8kg]
SSRM-166X5	1.66"OD [42.2mm]	73 lbs. [33.1kg]
SSRM-190X5	1.90"OD [48.3mm]	74 lbs. [33.6kg]
SSRM-237X5	2.37"OD [60.3mm]	78 lbs. [35.4kg]
SSRM-288X5	2.88"OD [73mm]	86 lbs. [39.0kg]

PROPRIETARY AND CONFIDENTIAL
THE INFORMATION CONTAINED IN THIS DRAWING IS THE SOLE PROPERTY OF BAIRD SUPPORTING SYSTEMS. ANY REPRODUCTION IN PART OR AS A WHOLE WITHOUT THE WRITTEN PERMISSION OF BAIRD SUPPORTING SYSTEMS IS PROHIBITED.



WWW.BAIRD MOUNTS.COM

UNLESS OTHERWISE SPECIFIED:
DIMENSIONS ARE IN INCHES
TOLERANCES:
FRACTIONAL ±
ANGULAR: MACH ± BEND ±
TWO PLACE DECIMAL ±
THREE PLACE DECIMAL ±

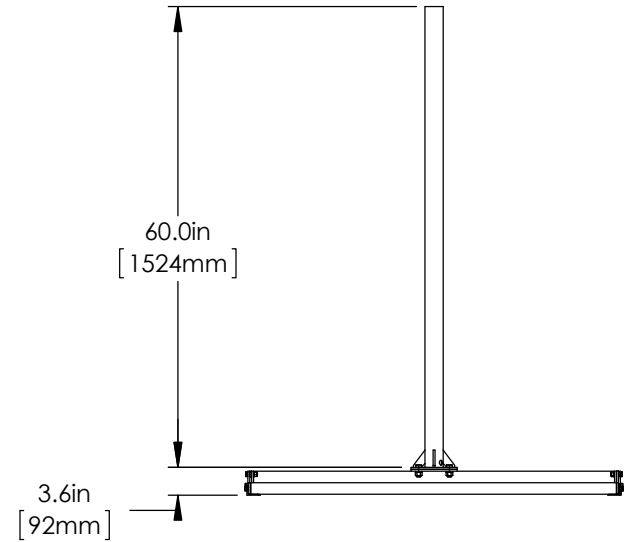
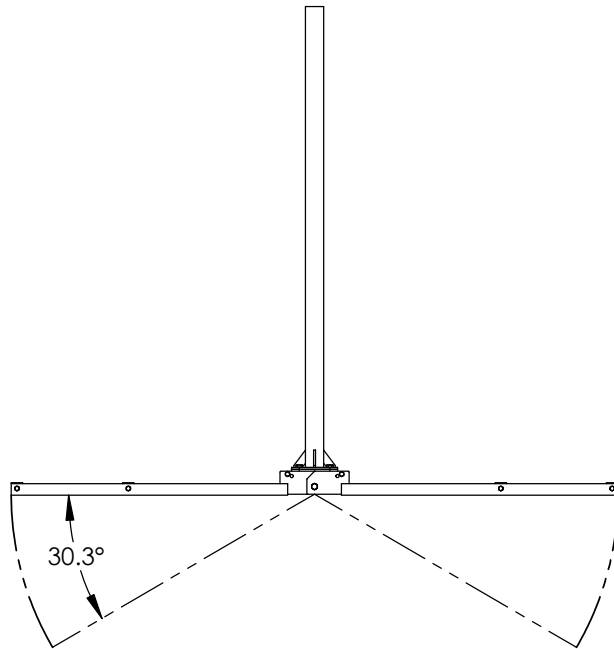
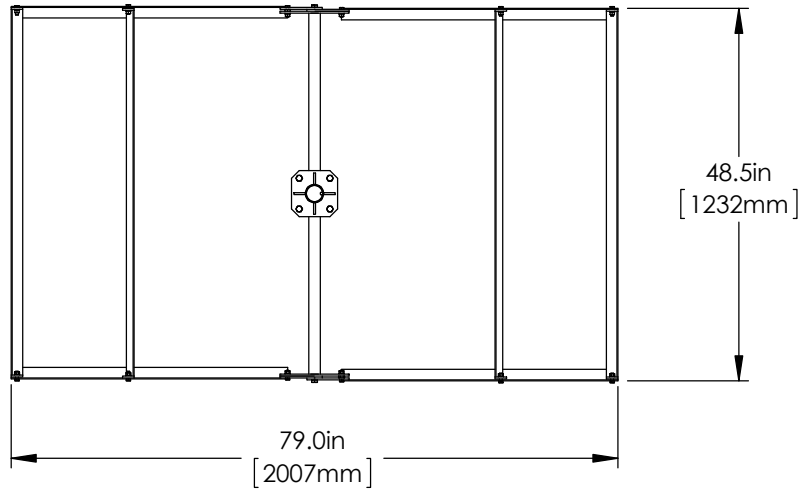
DO NOT SCALE DRAWING

BAIRD MOUNTING SYSTEMS

WATERLOO, IA 50703
PHONE: 319-233-3561
SALES@BAIRD MOUNTS.COM

DESCRIPTION:
SS-RIDGEMOUNT WITH 5' MAST

DRAWN BY JK	DATE 06/18/13	
MATERIAL STEEL	FINISH HDG	
DWG. PURPOSE CUSTOMER	SHEET 1 OF 2	SCALE 1:15
PART. NO. SEE TABLE		
DWG. NO. SSRM-(000)X5		



PROPRIETARY AND CONFIDENTIAL
THE INFORMATION CONTAINED IN THIS DRAWING IS THE SOLE PROPERTY OF BAIRD SUPPORTING SYSTEMS. ANY REPRODUCTION IN PART OR AS A WHOLE WITHOUT THE WRITTEN PERMISSION OF BAIRD SUPPORTING SYSTEMS IS PROHIBITED.



WWW.BAIRD MOUNTS.COM

UNLESS OTHERWISE SPECIFIED:
DIMENSIONS ARE IN INCHES
TOLERANCES:
FRACTIONAL ±
ANGULAR: MACH ± BEND ±
TWO PLACE DECIMAL ±
THREE PLACE DECIMAL ±

DO NOT SCALE DRAWING

BAIRD MOUNTING SYSTEMS

WATERLOO, IA 50703
PHONE: 319-233-3561
SALES@BAIRDMOUNTS.COM

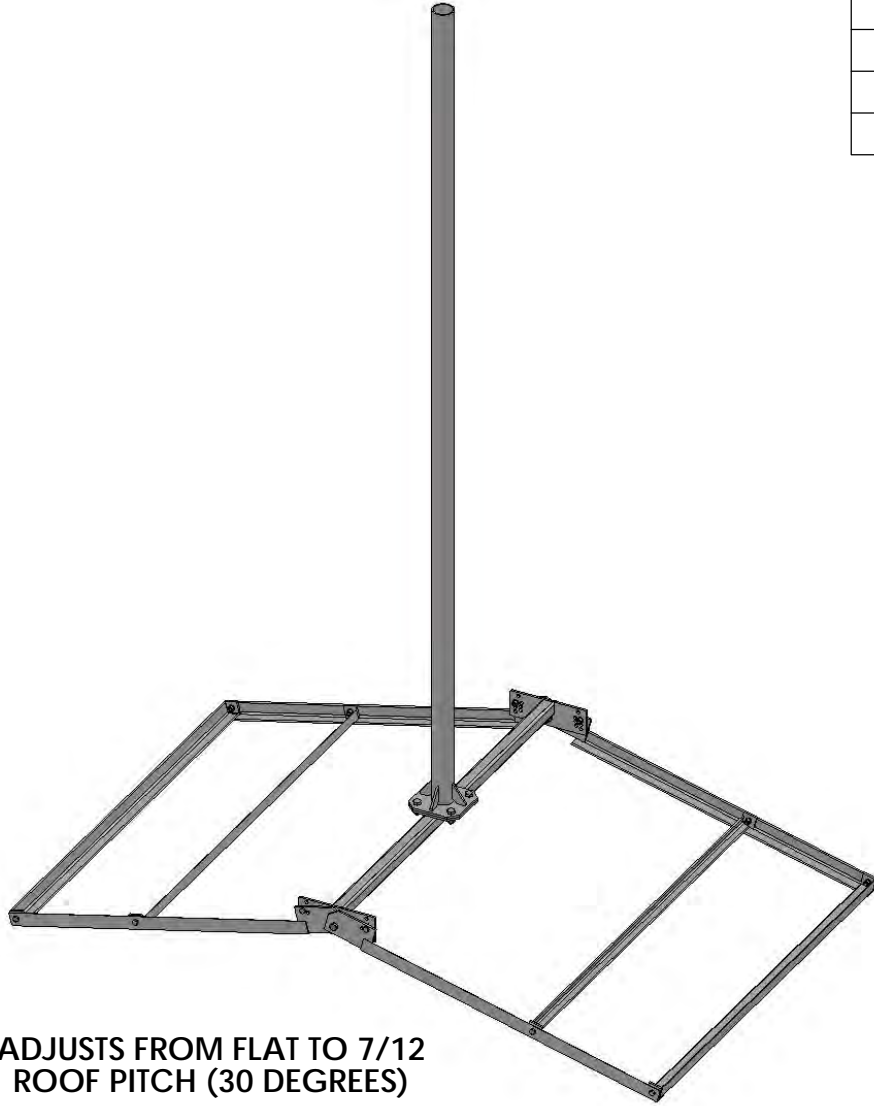
TITLE:
SS-RIDGEMOUNT WITH 5' MAST

DRAWN BY JK	DATE 06/18/13
MATERIAL STEEL	FINISH HDG
DWG. PURPOSE CUSTOMER	SHEET 20F2
	SCALE 1:25

PART. NO.
SEE TABLE-SHEET 1

DWG. NO.
SSRM-(000)X5

PART NO.	MAST DIAMETER	WEIGHT
SSRM-131X8	1.31"OD [33.4mm]	75 lbs. [34.0kg]
SSRM-166X8	1.66"OD [42.2mm]	80 lbs. [36.3kg]
SSRM-190X8	1.90"OD [48.3mm]	82 lbs. [37.2kg]
SSRM-237X8	2.37"OD [60.3mm]	89 lbs. [40.4kg]
SSRM-288X8	2.88"OD [73mm]	104 lbs. [47.2kg]



**ADJUSTS FROM FLAT TO 7/12
ROOF PITCH (30 DEGREES)**

PROPRIETARY AND CONFIDENTIAL
THE INFORMATION CONTAINED IN THIS DRAWING IS THE SOLE PROPERTY OF BAIRD SUPPORTING SYSTEMS. ANY REPRODUCTION IN PART OR AS A WHOLE WITHOUT THE WRITTEN PERMISSION OF BAIRD SUPPORTING SYSTEMS IS PROHIBITED.



WWW.BAIRD MOUNTS.COM

UNLESS OTHERWISE SPECIFIED:
DIMENSIONS ARE IN INCHES
TOLERANCES:
FRACTIONAL ±
ANGULAR: MACH ± BEND ±
TWO PLACE DECIMAL ±
THREE PLACE DECIMAL ±

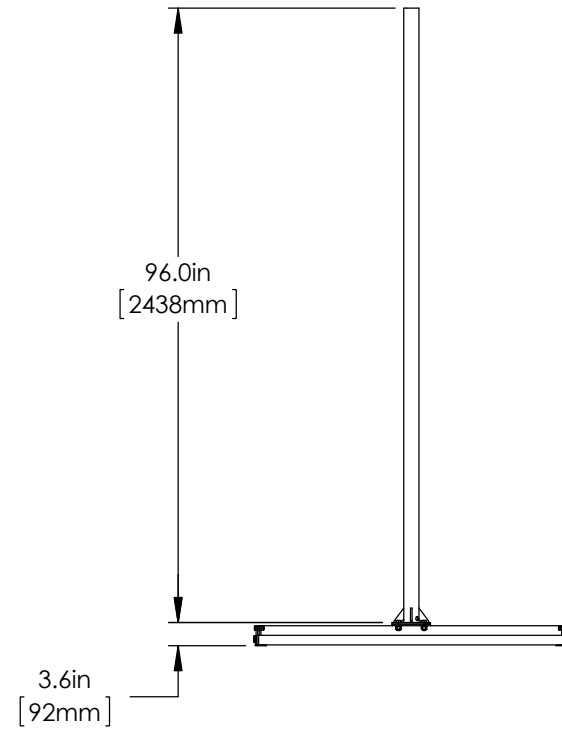
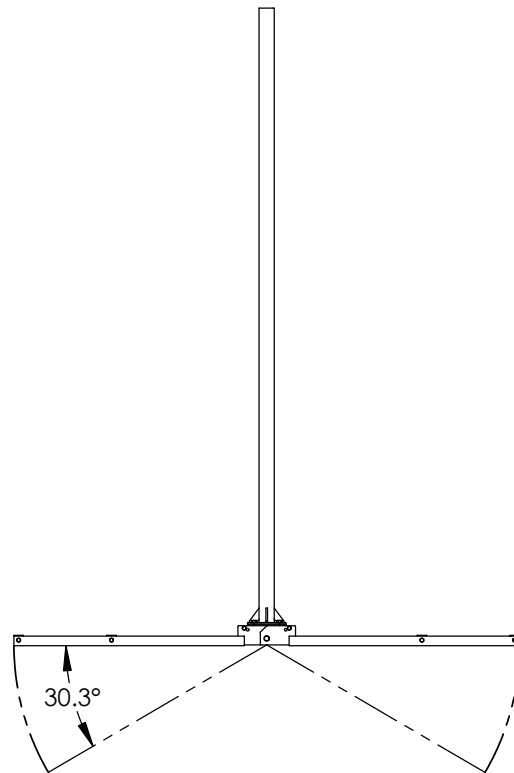
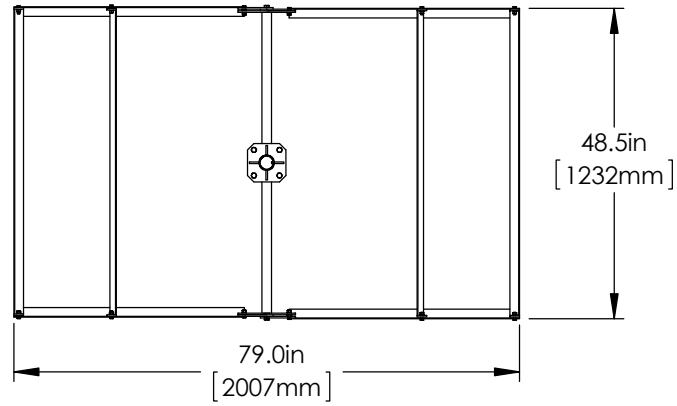
DO NOT SCALE DRAWING

BAIRD MOUNTING SYSTEMS

WATERLOO, IA 50703
PHONE: 319-233-3561
SALES@BAIRD MOUNTS.COM

DESCRIPTION:
SS-RIDGEMOUNT WITH 8' MAST

DRAWN BY JK	DATE 06/18/13	
MATERIAL STEEL	FINISH HDG	
DWG. PURPOSE CUSTOMER	SHEET 1 OF 2	SCALE 1:20
PART. NO. SEE TABLE		
DWG. NO. SSRM-(000)X8		



PROPRIETARY AND CONFIDENTIAL
THE INFORMATION CONTAINED IN THIS DRAWING IS THE SOLE PROPERTY OF BAIRD SUPPORTING SYSTEMS. ANY REPRODUCTION IN PART OR AS A WHOLE WITHOUT THE WRITTEN PERMISSION OF BAIRD SUPPORTING SYSTEMS IS PROHIBITED.



WWW.BAIRD MOUNTS.COM

UNLESS OTHERWISE SPECIFIED:
DIMENSIONS ARE IN INCHES
TOLERANCES:
FRACTIONAL ±
ANGULAR: MACH ± BEND ±
TWO PLACE DECIMAL ±
THREE PLACE DECIMAL ±

DO NOT SCALE DRAWING

BAIRD MOUNTING SYSTEMS

WATERLOO, IA 50703
PHONE: 319-233-3561
SALES@BAIRDMOUNTS.COM

DESCRIPTION:
SS-RIDGEMOUNT WITH 8' MAST

DRAWN BY JK	DATE 06/18/13	
MATERIAL STEEL	FINISH HDG	
DWG. PURPOSE CUSTOMER	SHEET 2OF2	SCALE 1:30

PART. NO.
SEE TABLE-SHEET 1

DWG. NO.
SSRM-(000)X8

PART NO.	MAST DIAMETER	WEIGHT
SSRM-131X10	1.31"OD [33.4mm]	78 lbs. [35.4kg]
SSRM-166X10	1.66"OD [42.2mm]	84 lbs. [38.1kg]
SSRM-190X10	1.90"OD [48.3mm]	87 lbs. [39.5kg]
SSRM-237X10	2.37"OD [60.3mm]	96 lbs. [43.5kg]
SSRM-288X10	2.88"OD [73mm]	116 lbs. [52.6kg]



ADJUSTS FROM FLAT TO 7/12
ROOF PITCH (30 DEGREES)

PROPRIETARY AND CONFIDENTIAL
THE INFORMATION CONTAINED IN THIS DRAWING IS THE SOLE PROPERTY OF BAIRD SUPPORTING SYSTEMS. ANY REPRODUCTION IN PART OR AS A WHOLE WITHOUT THE WRITTEN PERMISSION OF BAIRD SUPPORTING SYSTEMS IS PROHIBITED.



WWW.BAIRD MOUNTS.COM

UNLESS OTHERWISE SPECIFIED:
DIMENSIONS ARE IN INCHES
TOLERANCES:
FRACTIONAL ±
ANGULAR: MACH ± BEND ±
TWO PLACE DECIMAL ±
THREE PLACE DECIMAL ±

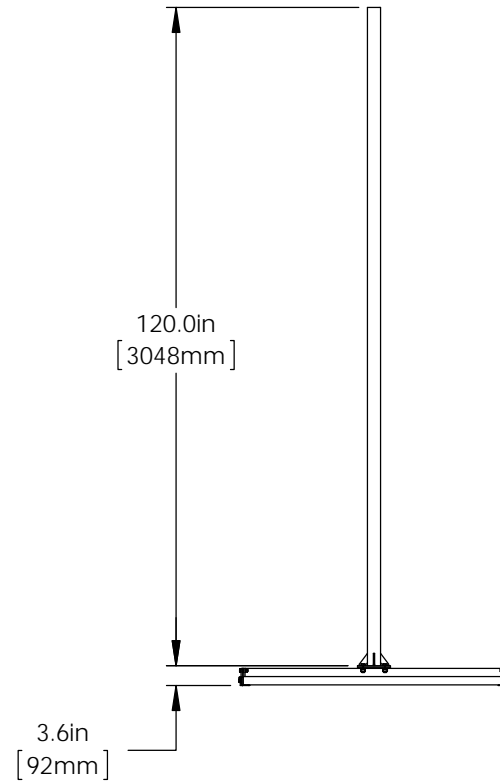
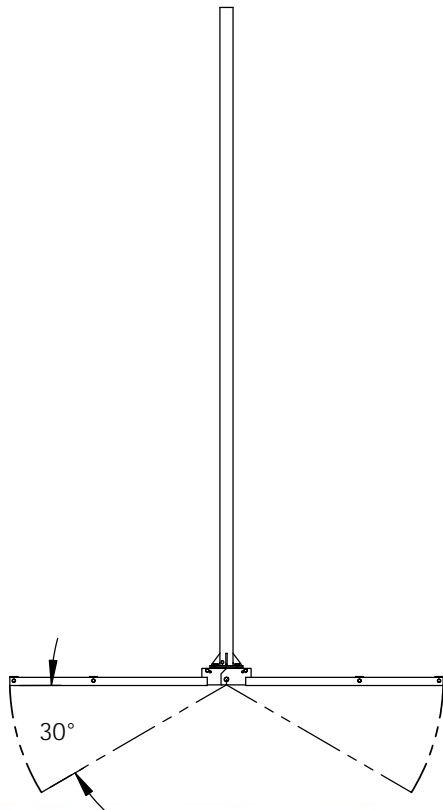
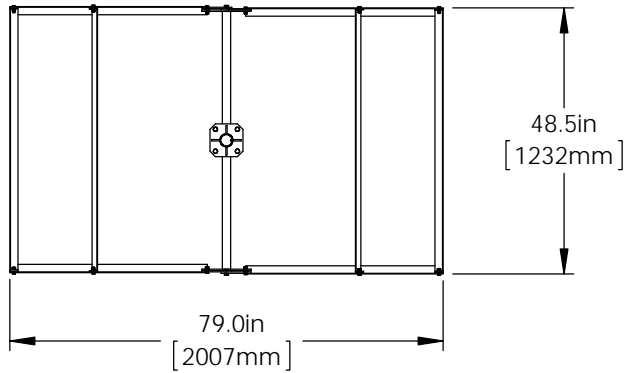
DO NOT SCALE DRAWING

BAIRD MOUNTING SYSTEMS

WATERLOO, IA 50703
PHONE: 319-233-3561
SALES@BAIRD MOUNTS.COM

DESCRIPTION:
SS-RIDGEMOUNT WITH 10' MAST

DRAWN BY JK	DATE 08/16/13	
MATERIAL STEEL	FINISH HDG	
DWG. PURPOSE CUSTOMER	SHEET 1 OF 2	SCALE 1:25
PART. NO. SEE TABLE		
DWG. NO. SSRM-(000)X10		



PROPRIETARY AND CONFIDENTIAL
THE INFORMATION CONTAINED IN THIS DRAWING IS THE SOLE PROPERTY OF BAIRD SUPPORTING SYSTEMS. ANY REPRODUCTION IN PART OR AS A WHOLE WITHOUT THE WRITTEN PERMISSION OF BAIRD SUPPORTING SYSTEMS IS PROHIBITED.



WWW.BAIRD MOUNTS.COM

UNLESS OTHERWISE SPECIFIED:
DIMENSIONS ARE IN INCHES
TOLERANCES:
FRACTIONAL ±
ANGULAR: MACH ± BEND ±
TWO PLACE DECIMAL ±
THREE PLACE DECIMAL ±

DO NOT SCALE DRAWING

BAIRD MOUNTING SYSTEMS

WATERLOO, IA 50703
PHONE: 319-233-3561
SALES@BAIRDMOUNTS.COM

DESCRIPTION:
SS-RIDGEMOUNT WITH 10' MAST

DRAWN BY JK	DATE 08/16/13	
MATERIAL STEEL	FINISH HDG	
DWG. PURPOSE CUSTOMER	SHEET 2OF2	SCALE 1:35


PART. NO.
SEE TABLE-SHEET 1

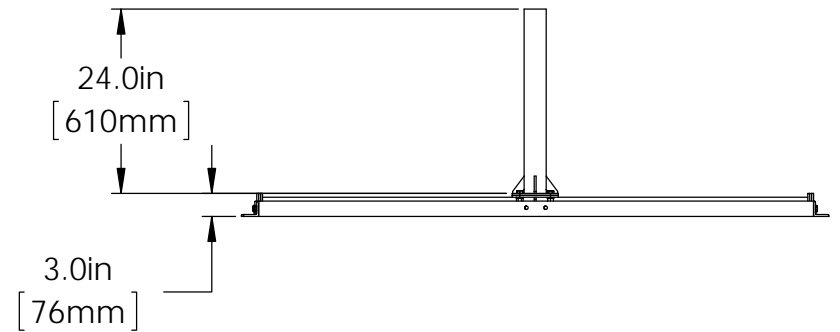
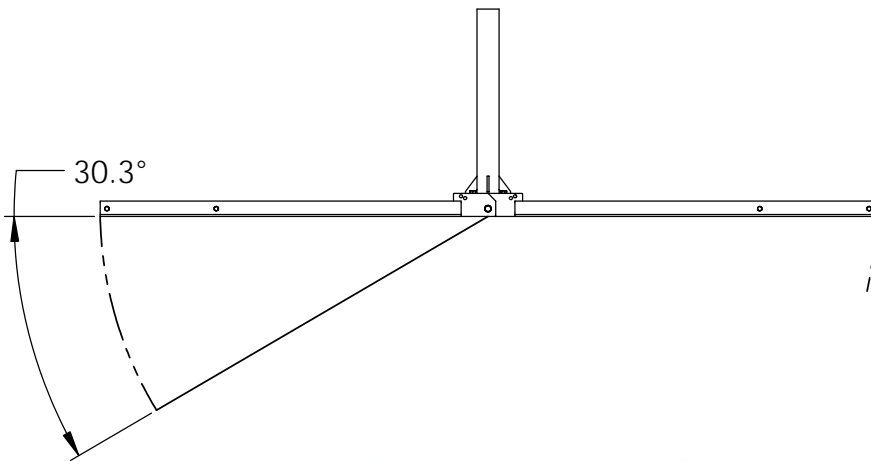
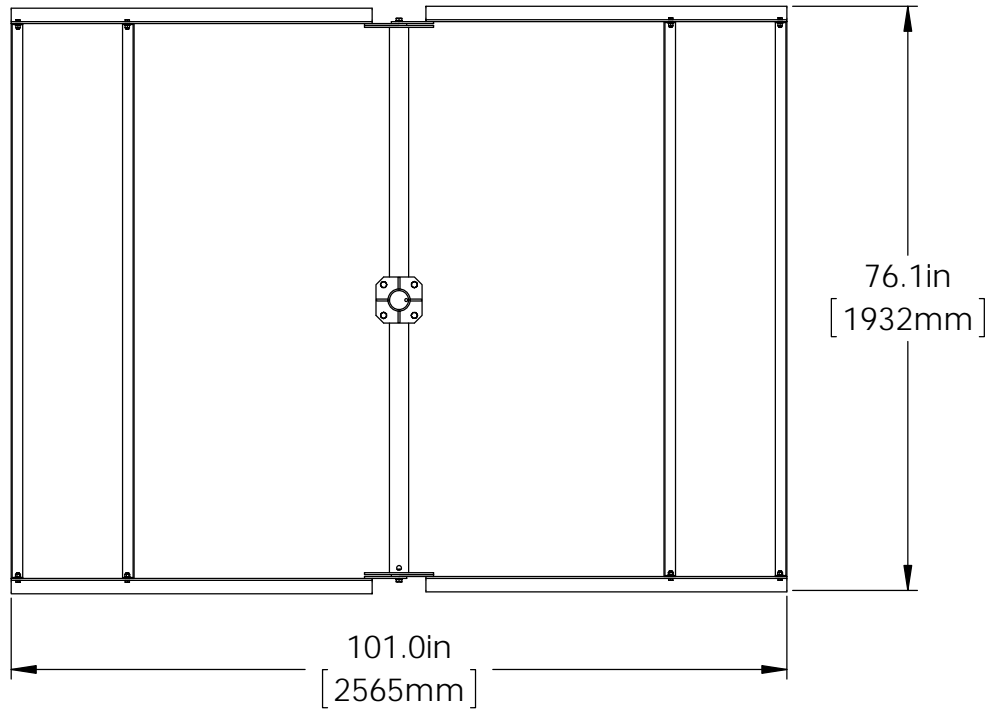
DWG. NO.
SSRM-(000)X10

PART NO.	MAST DIAMETER	WEIGHT
SUR-166X2	1.66"OD [42.2mm]	147 lbs. [66.7kg]
SUR-190X2	1.90"OD [48.3mm]	149 lbs. [67.6kg]
SUR-237X2	2.37"OD [60.3mm]	151 lbs. [68.5kg]
SUR-288X2	2.88"OD [73mm]	151 lbs. [68.5kg]
SUR-300X2	3"OD [76.2mm]	151 lbs. [68.5kg]



ADJUSTS FROM FLAT TO 7/12
ROOF PITCH (30 DEGREES)

<p>PROPRIETARY AND CONFIDENTIAL</p> <p>THE INFORMATION CONTAINED IN THIS DRAWING IS THE SOLE PROPERTY OF BAIRD SUPPORTING SYSTEMS. ANY REPRODUCTION IN PART OR AS A WHOLE WITHOUT THE WRITTEN PERMISSION OF BAIRD SUPPORTING SYSTEMS IS PROHIBITED.</p>	 <p>WWW.BAIRD MOUNTS.COM</p>	<p>UNLESS OTHERWISE SPECIFIED: DIMENSIONS ARE IN INCHES TOLERANCES: FRACTIONAL ± ANGULAR: MACH ± BEND ± TWO PLACE DECIMAL ± THREE PLACE DECIMAL ±</p>	<p>BAIRD MOUNTING SYSTEMS WATERLOO, IA 50703 PHONE: 319-233-3561 SALES@BAIRD MOUNTS.COM</p>		<p>DRAWN BY JK</p>	<p>DATE 05/31/13</p>
			<p>DESCRIPTION: SMALL UNIVERSAL RIDGEMOUNT (SURM) WITH 2' MAST</p>		<p>MATERIAL STEEL</p>	<p>FINISH HDG</p>
<p>DO NOT SCALE DRAWING</p>					<p>PART. NO. SEE TABLE</p>	
					<p>DWG. NO. SURM-(000)X2</p>	



PROPRIETARY AND CONFIDENTIAL
 THE INFORMATION CONTAINED IN THIS DRAWING IS THE SOLE PROPERTY OF BAIRD SUPPORTING SYSTEMS. ANY REPRODUCTION IN PART OR AS A WHOLE WITHOUT THE WRITTEN PERMISSION OF BAIRD SUPPORTING SYSTEMS IS PROHIBITED.



WWW.BAIRD MOUNTS.COM

UNLESS OTHERWISE SPECIFIED:
 DIMENSIONS ARE IN INCHES
 TOLERANCES:
 FRACTIONAL ±
 ANGULAR: MACH ± BEND ±
 TWO PLACE DECIMAL ±
 THREE PLACE DECIMAL ±

DO NOT SCALE DRAWING

BAIRD MOUNTING SYSTEMS

WATERLOO, IA 50703
 PHONE: 319-233-3561
 SALES@BAIRDMOUNTS.COM

TITLE:
 SMALL UNIVERSAL
 RIDGEMOUNT(SURM) WITH 2' MAST

DRAWN BY JK	DATE 05/31/13
MATERIAL STEEL	FINISH HDG
DWG. PURPOSE CUSTOMER	SHEET 2 OF 2
	SCALE 1:25

PART. NO.
 SEE TABLE- SHEET 1

DWG. NO.
 SUR-(000)X2

PART NO.	MAST DIAMETER	WEIGHT
SUR-166X5	1.66"OD [42.2mm]	154 lbs. [69.9kg]
SUR-190X5	1.90"OD [48.3mm]	157 lbs. [71.2kg]
SUR-237X5	2.37"OD [60.3mm]	162 lbs. [73.5kg]
SUR-288X5	2.88"OD [73mm]	169 lbs. [76.7kg]
SUR-350X5	3.5"OD [88.9mm]	179 lbs. [81.2kg]



ADJUSTS FROM FLAT TO 7/12
ROOF PITCH (30 DEGREES)

PROPRIETARY AND CONFIDENTIAL
THE INFORMATION CONTAINED IN THIS DRAWING IS THE SOLE PROPERTY OF BAIRD SUPPORTING SYSTEMS. ANY REPRODUCTION IN PART OR AS A WHOLE WITHOUT THE WRITTEN PERMISSION OF BAIRD SUPPORTING SYSTEMS IS PROHIBITED.



WWW.BAIRD MOUNTS.COM

UNLESS OTHERWISE SPECIFIED:
DIMENSIONS ARE IN INCHES
TOLERANCES:
FRACTIONAL ±
ANGULAR: MACH ± BEND ±
TWO PLACE DECIMAL ±
THREE PLACE DECIMAL ±

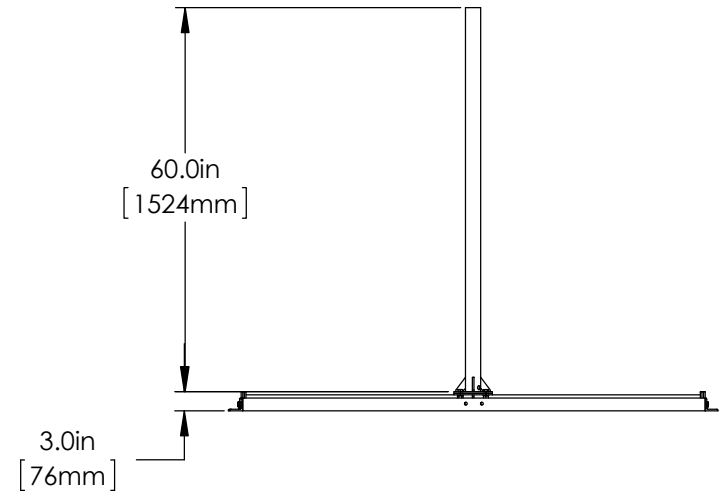
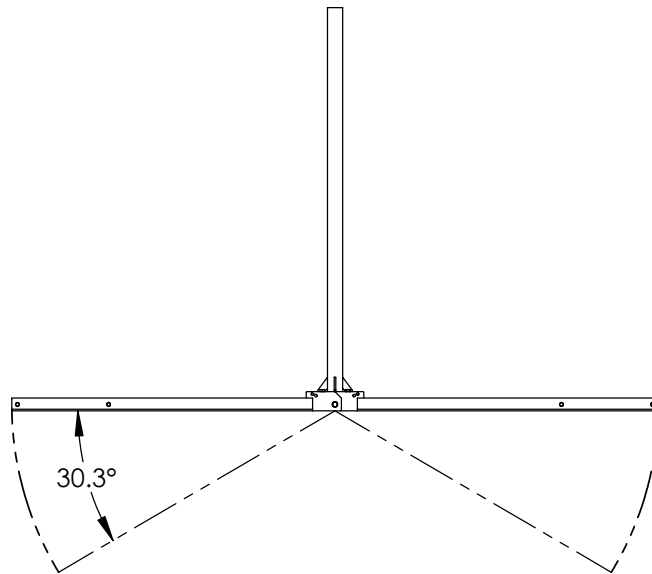
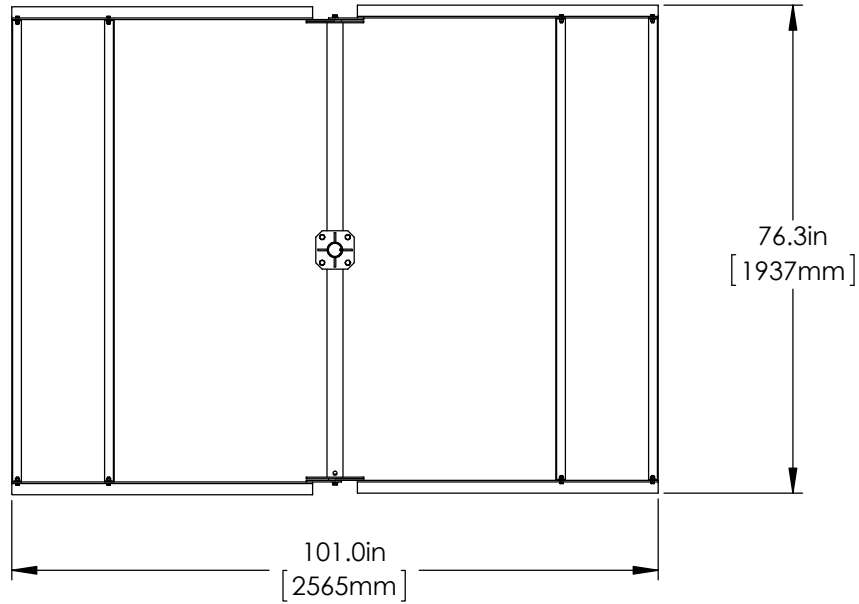
DO NOT SCALE DRAWING

BAIRD MOUNTING SYSTEMS

WATERLOO, IA 50703
PHONE: 319-233-3561
SALES@BAIRD MOUNTS.COM

DESCRIPTION:
SMALL UNIVERSAL RIDGEMOUNT (SURM)
WITH 5' MAST

DRAWN BY JK	DATE 06/19/13	
MATERIAL STEEL	FINISH HDG	
DWG. PURPOSE CUSTOMER	SHEET 1OF2	SCALE 1:20
PART. NO. SEE TABLE		
DWG. NO. SURM-(000)X5		



PROPRIETARY AND CONFIDENTIAL
THE INFORMATION CONTAINED IN THIS DRAWING IS THE SOLE PROPERTY OF BAIRD SUPPORTING SYSTEMS. ANY REPRODUCTION IN PART OR AS A WHOLE WITHOUT THE WRITTEN PERMISSION OF BAIRD SUPPORTING SYSTEMS IS PROHIBITED.



UNLESS OTHERWISE SPECIFIED:
DIMENSIONS ARE IN INCHES
TOLERANCES:
FRACTIONAL ±
ANGULAR: MACH ± BEND ±
TWO PLACE DECIMAL ±
THREE PLACE DECIMAL ±

DO NOT SCALE DRAWING

BAIRD MOUNTING SYSTEMS

WATERLOO, IA 50703
PHONE: 319-233-3561
SALES@BAIRDMOUNTS.COM

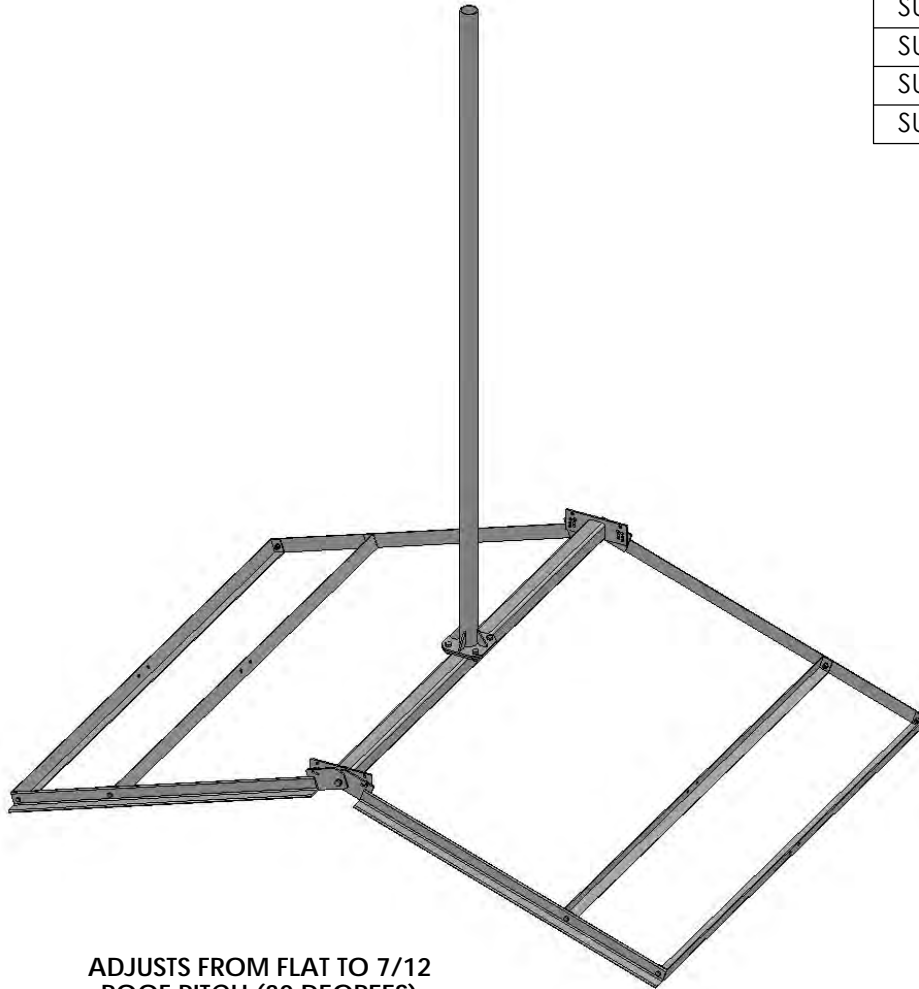
DESCRIPTION:
SMALL UNIVERSAL
RIDGEMOUNT(SURM) WITH 5' MAST

DRAWN BY JK	DATE 06/19/13
MATERIAL STEEL	FINISH HDG
DWG. PURPOSE CUSTOMER	SHEET 2 OF 2
	SCALE 1:30

PART. NO.
SEE TABLE- SHEET 1

DWG. NO.
SUR-(000)X5

PART NO.	MAST DIAMETER	WEIGHT
SUR-166X8	1.66"OD [42.2mm]	161 lbs. [73.0kg]
SUR-190X8	1.90"OD [48.3mm]	165 lbs. [74.8kg]
SUR-237X8	2.37"OD [60.3mm]	173 lbs. [78.5kg]
SUR-288X8	2.88"OD [73mm]	187 lbs. [84.8kg]
SUR-350X8	3.5"OD [88.9mm]	203 lbs. [92.1kg]



ADJUSTS FROM FLAT TO 7/12
ROOF PITCH (30 DEGREES)

PROPRIETARY AND CONFIDENTIAL
THE INFORMATION CONTAINED IN THIS DRAWING IS THE SOLE PROPERTY OF BAIRD SUPPORTING SYSTEMS. ANY REPRODUCTION IN PART OR AS A WHOLE WITHOUT THE WRITTEN PERMISSION OF BAIRD SUPPORTING SYSTEMS IS PROHIBITED.



WWW.BAIRD MOUNTS.COM

UNLESS OTHERWISE SPECIFIED:
DIMENSIONS ARE IN INCHES
TOLERANCES:
FRACTIONAL ±
ANGULAR: MACH ± BEND ±
TWO PLACE DECIMAL ±
THREE PLACE DECIMAL ±

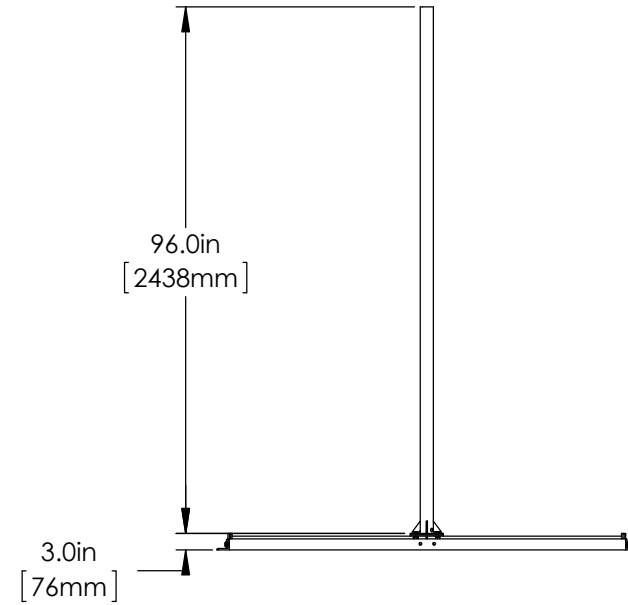
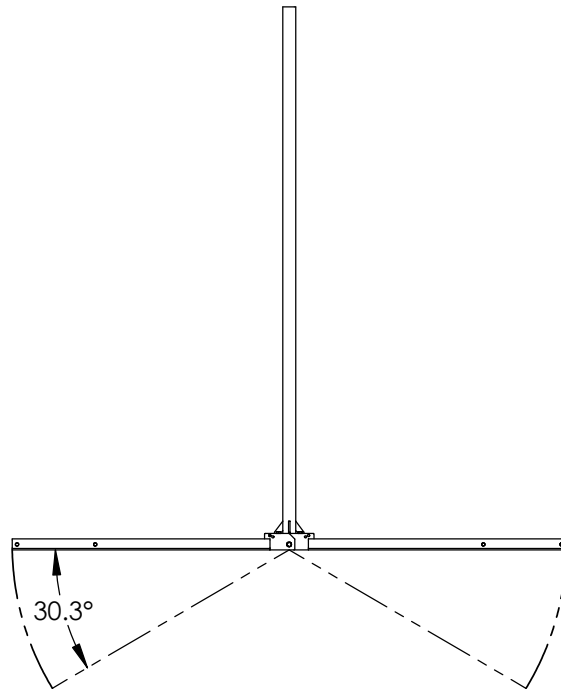
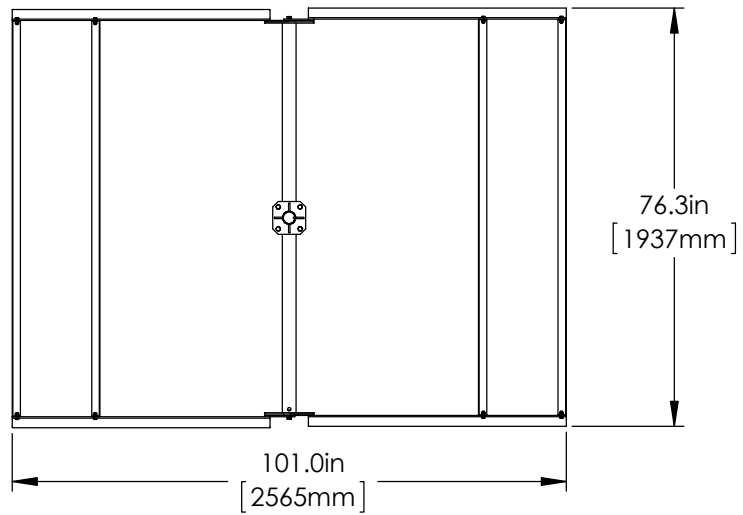
DO NOT SCALE DRAWING

BAIRD MOUNTING SYSTEMS

WATERLOO, IA 50703
PHONE: 319-233-3561
SALES@BAIRD MOUNTS.COM

DESCRIPTION:
SMALL UNIVERSAL RIDGEMOUNT (SURM)
WITH 8' MAST

DRAWN BY JK	DATE 06/19/13
MATERIAL STEEL	FINISH HDG
DWG. PURPOSE CUSTOMER	SHEET 1 OF 2
SCALE 1:25	
PART. NO. SEE TABLE	
DWG. NO. SURM-(000)X8	



PROPRIETARY AND CONFIDENTIAL
 THE INFORMATION CONTAINED IN THIS DRAWING IS THE SOLE PROPERTY OF BAIRD SUPPORTING SYSTEMS. ANY REPRODUCTION IN PART OR AS A WHOLE WITHOUT THE WRITTEN PERMISSION OF BAIRD SUPPORTING SYSTEMS IS PROHIBITED.



WWW.BAIRD MOUNTS.COM

UNLESS OTHERWISE SPECIFIED:
 DIMENSIONS ARE IN INCHES
 TOLERANCES:
 FRACTIONAL ±
 ANGULAR: MACH ± BEND ±
 TWO PLACE DECIMAL ±
 THREE PLACE DECIMAL ±

DO NOT SCALE DRAWING

BAIRD MOUNTING SYSTEMS

WATERLOO, IA 50703
 PHONE: 319-233-3561
 SALES@BAIRD MOUNTS.COM

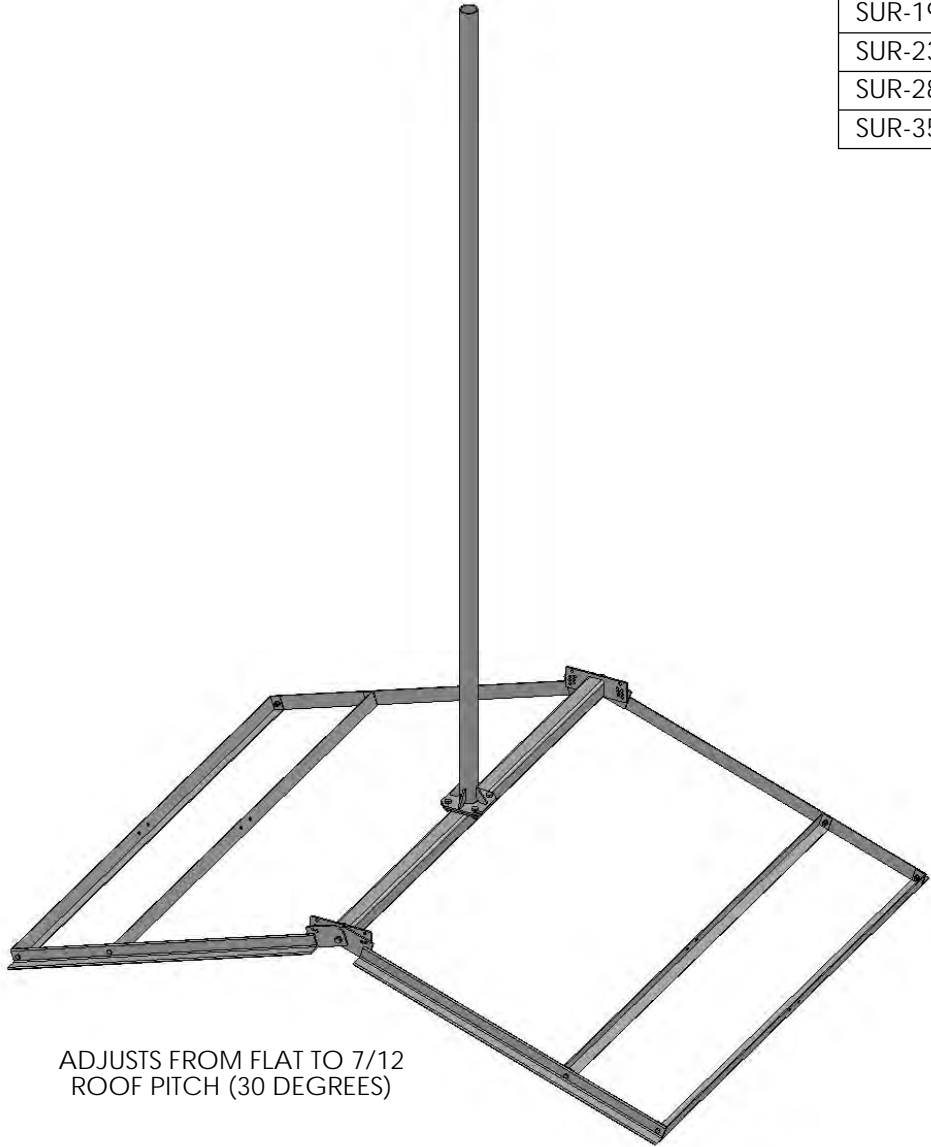
DESCRIPTION:
 SMALL UNIVERSAL
 RIDGEMOUNT(SURM) WITH 8' MAST

DRAWN BY JK	DATE 06/19/13	
MATERIAL STEEL	FINISH HDG	
DWG. PURPOSE CUSTOMER	SHEET 2 OF 2	SCALE 1:35

PART. NO.
 SEE TABLE- SHEET 1

DWG. NO.
 SUR-(000)X8

PART NO.	MAST DIAMETER	WEIGHT
SUR-166X10	1.66"OD [42.2mm]	166 lbs. [75.3kg]
SUR-190X10	1.90"OD [48.3mm]	170 lbs. [77.1kg]
SUR-237X10	2.37"OD [60.3mm]	180 lbs. [81.6kg]
SUR-288X10	2.88"OD [73mm]	199 lbs. [90.3kg]
SUR-350X10	3.5"OD [88.9mm]	219 lbs. [99.3kg]



ADJUSTS FROM FLAT TO 7/12
ROOF PITCH (30 DEGREES)

PROPRIETARY AND CONFIDENTIAL
THE INFORMATION CONTAINED IN THIS DRAWING IS THE SOLE PROPERTY OF BAIRD SUPPORTING SYSTEMS. ANY REPRODUCTION IN PART OR AS A WHOLE WITHOUT THE WRITTEN PERMISSION OF BAIRD SUPPORTING SYSTEMS IS PROHIBITED.



WWW.BAIRD MOUNTS.COM

UNLESS OTHERWISE SPECIFIED:
DIMENSIONS ARE IN INCHES
TOLERANCES:
FRACTIONAL ±
ANGULAR: MACH ± BEND ±
TWO PLACE DECIMAL ±
THREE PLACE DECIMAL ±

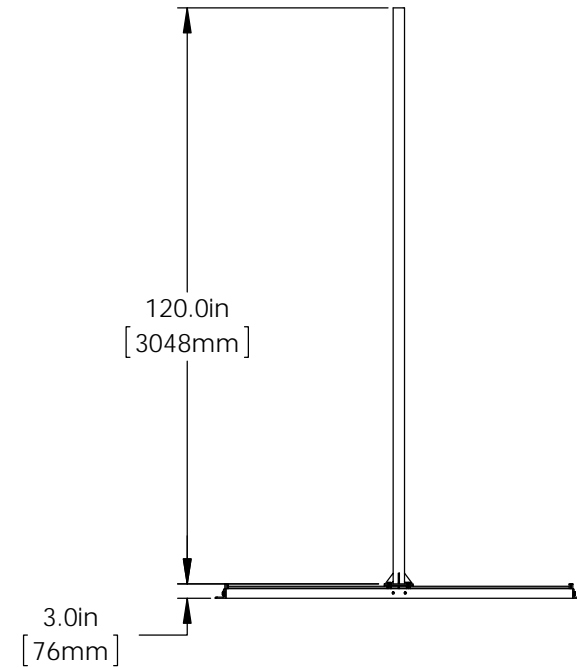
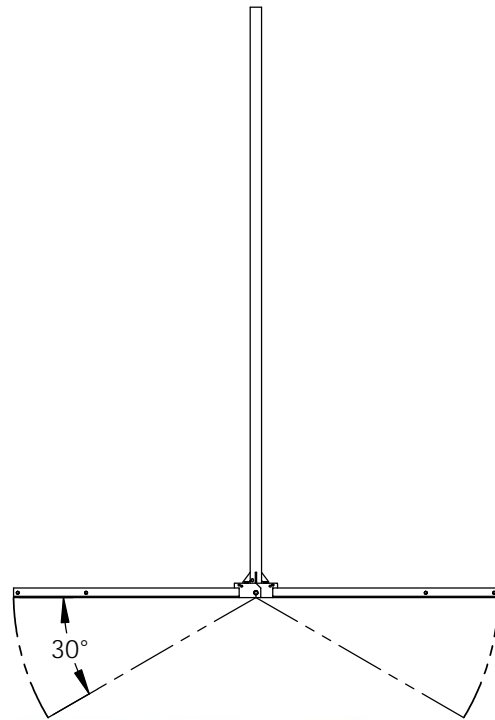
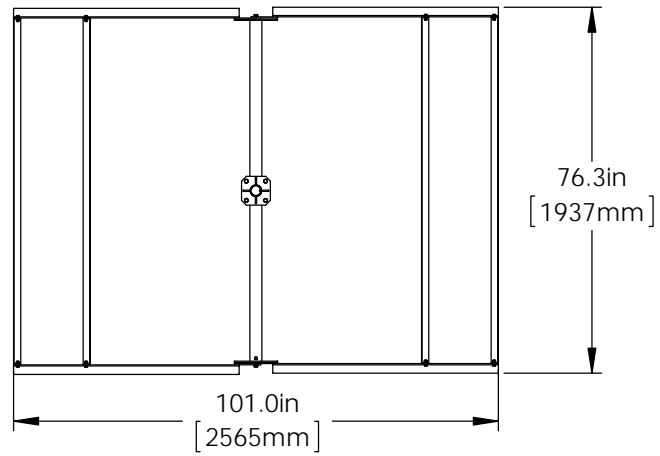
DO NOT SCALE DRAWING

BAIRD MOUNTING SYSTEMS

WATERLOO, IA 50703
PHONE: 319-233-3561
SALES@BAIRD MOUNTS.COM

DESCRIPTION:
SMALL UNIVERSAL RIDGEMOUNT (SURM)
WITH 10' MAST

DRAWN BY JK	DATE 08/16/13	
MATERIAL STEEL	FINISH HDG	
DWG. PURPOSE CUSTOMER	SHEET 1OF2	SCALE 1:25
PART. NO. SEE TABLE		
DWG. NO. SURM-(000)X10		



PROPRIETARY AND CONFIDENTIAL
 THE INFORMATION CONTAINED IN THIS DRAWING IS THE SOLE PROPERTY OF BAIRD SUPPORTING SYSTEMS. ANY REPRODUCTION IN PART OR AS A WHOLE WITHOUT THE WRITTEN PERMISSION OF BAIRD SUPPORTING SYSTEMS IS PROHIBITED.



WWW.BAIRD MOUNTS.COM

UNLESS OTHERWISE SPECIFIED:
 DIMENSIONS ARE IN INCHES
 TOLERANCES:
 FRACTIONAL ±
 ANGULAR: MACH ± BEND ±
 TWO PLACE DECIMAL ±
 THREE PLACE DECIMAL ±

DO NOT SCALE DRAWING

BAIRD MOUNTING SYSTEMS

WATERLOO, IA 50703
 PHONE: 319-233-3561
 SALES@BAIRD MOUNTS.COM

DESCRIPTION:
 SMALL UNIVERSAL
 RIDGEMOUNT(SURM) WITH 10' MAST

DRAWN BY JK	DATE 08/16/13	
MATERIAL STEEL	FINISH HDG	
DWG. PURPOSE CUSTOMER	SHEET 2 OF 2	SCALE 1:40

PART. NO.
SEE TABLE- SHEET 1

DWG. NO.
SUR-(000)X10

PART NO.	MAST DIAMETER	WEIGHT
UR-237X5	2.37"OD [60.3mm]	211 lbs. [95.7kg]
UR-288X5	2.88"OD [73mm]	223 lbs. [101.2kg]
UR-350X5	3.5"OD [88.9mm]	233 lbs. [105.7kg]
UR-450X5	4.5"OD [114.3mm]	250 lbs. [113.4kg]



ADJUSTS FROM FLAT TO 7/12
ROOF PITCH (30 DEGREES)

PROPRIETARY AND CONFIDENTIAL
THE INFORMATION CONTAINED IN THIS DRAWING IS THE SOLE PROPERTY OF BAIRD SUPPORTING SYSTEMS. ANY REPRODUCTION IN PART OR AS A WHOLE WITHOUT THE WRITTEN PERMISSION OF BAIRD SUPPORTING SYSTEMS IS PROHIBITED.



WWW.BAIRD MOUNTS.COM

UNLESS OTHERWISE SPECIFIED:
DIMENSIONS ARE IN INCHES
TOLERANCES:
FRACTIONAL ±
ANGULAR: MACH ± BEND ±
TWO PLACE DECIMAL ±
THREE PLACE DECIMAL ±

DO NOT SCALE DRAWING

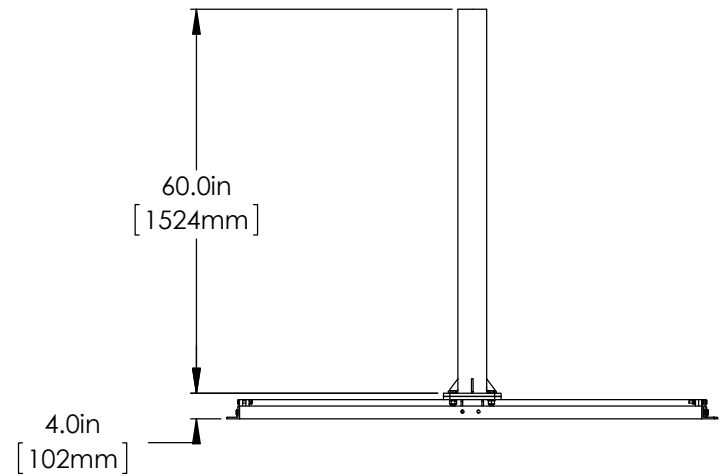
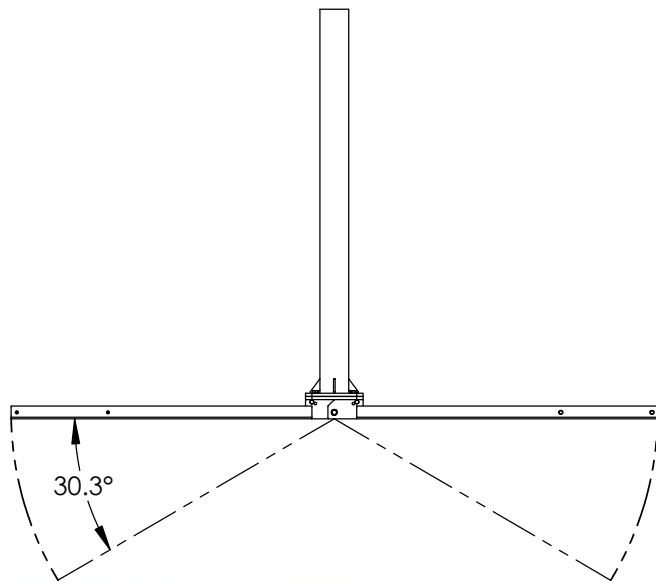
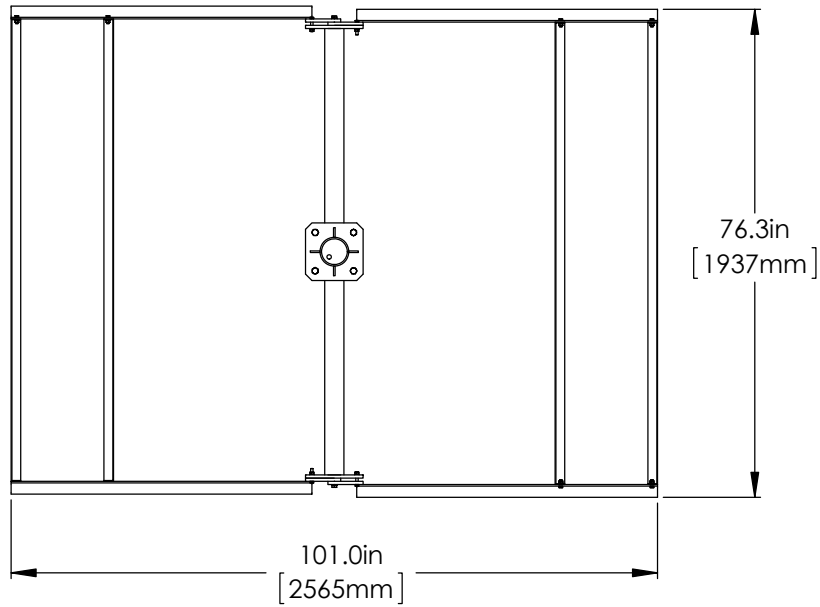
BAIRD MOUNTING SYSTEMS

WATERLOO, IA 50703
PHONE: 319-233-3561
SALES@BAIRD MOUNTS.COM

DESCRIPTION:
UNIVERSAL RIDGEMOUNT (UR)
WITH 5' MAST

DRAWN BY JK	DATE 06/19/13
MATERIAL STEEL	FINISH HDG
DWG. PURPOSE CUSTOMER	SHEET 1OF2
	SCALE 1:20

PART. NO.
SEE TABLE
DWG. NO.
UR-(000)X5



PROPRIETARY AND CONFIDENTIAL
THE INFORMATION CONTAINED IN THIS DRAWING IS THE SOLE PROPERTY OF BAIRD SUPPORTING SYSTEMS. ANY REPRODUCTION IN PART OR AS A WHOLE WITHOUT THE WRITTEN PERMISSION OF BAIRD SUPPORTING SYSTEMS IS PROHIBITED.



WWW.BAIRD MOUNTS.COM

UNLESS OTHERWISE SPECIFIED:
DIMENSIONS ARE IN INCHES
TOLERANCES:
FRACTIONAL ±
ANGULAR: MACH ± BEND ±
TWO PLACE DECIMAL ±
THREE PLACE DECIMAL ±

DO NOT SCALE DRAWING

BAIRD MOUNTING SYSTEMS

WATERLOO, IA 50703
PHONE: 319-233-3561
SALES@BAIRD MOUNTS.COM

DESCRIPTION:
UNIVERSAL RIDGEMOUNT (UR)
WITH 5' MAST

DRAWN BY JK	DATE 06/19/13
MATERIAL STEEL	FINISH HDG
DWG. PURPOSE CUSTOMER	SHEET 2 OF 2
	SCALE 1:30

PART. NO.
SEE TABLE- SHEET 1

DWG. NO.
UR-(000)X5

PART NO.	MAST DIAMETER	WEIGHT
UR-237X8	2.37"OD [60.3mm]	222 lbs. [100.7kg]
UR-288X8	2.88"OD [73mm]	241 lbs. [109.3kg]
UR-350X8	3.5"OD [88.9mm]	257 lbs. [116.6kg]
UR-450X8	4.5"OD [114.3mm]	284 lbs. [128.8kg]



ADJUSTS FROM FLAT TO 7/12
ROOF PITCH (30 DEGREES)

PROPRIETARY AND CONFIDENTIAL
THE INFORMATION CONTAINED IN THIS DRAWING IS THE SOLE PROPERTY OF BAIRD SUPPORTING SYSTEMS. ANY REPRODUCTION IN PART OR AS A WHOLE WITHOUT THE WRITTEN PERMISSION OF BAIRD SUPPORTING SYSTEMS IS PROHIBITED.



WWW.BAIRD MOUNTS.COM

UNLESS OTHERWISE SPECIFIED:
DIMENSIONS ARE IN INCHES
TOLERANCES:
FRACTIONAL ±
ANGULAR: MACH ± BEND ±
TWO PLACE DECIMAL ±
THREE PLACE DECIMAL ±

DO NOT SCALE DRAWING

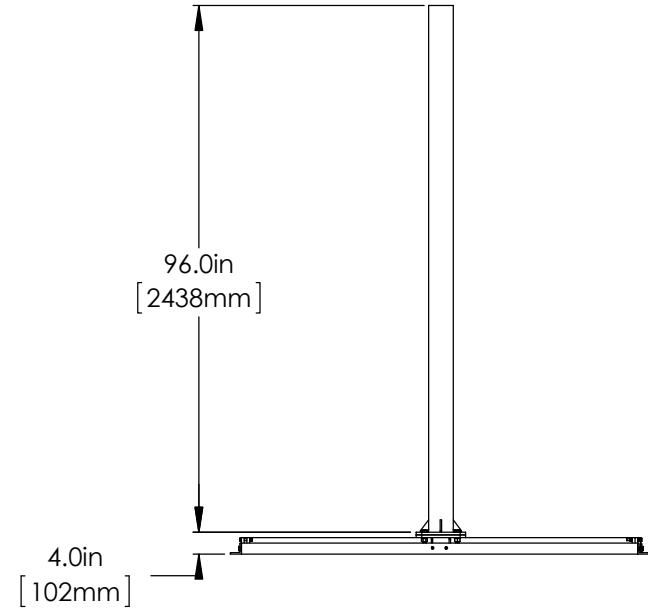
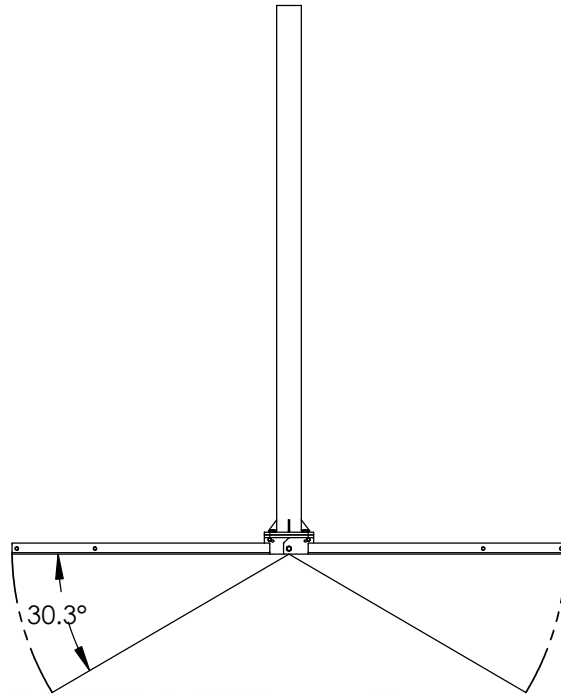
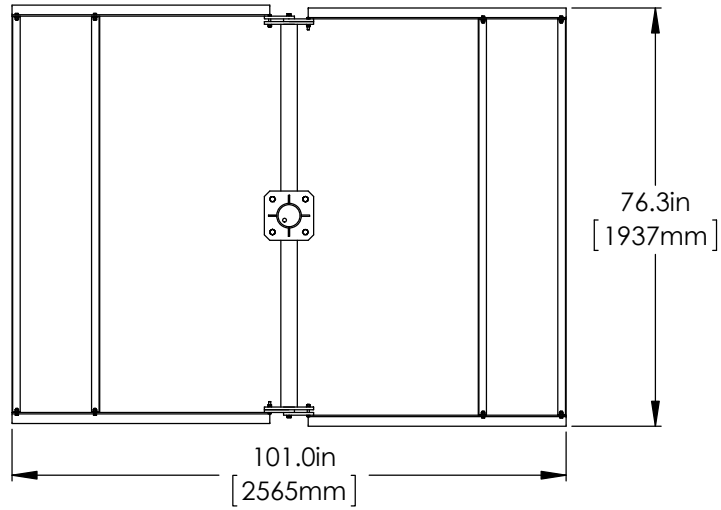
BAIRD MOUNTING SYSTEMS

WATERLOO, IA 50703
PHONE: 319-233-3561
SALES@BAIRD MOUNTS.COM

DESCRIPTION:
UNIVERSAL RIDGEMOUNT (UR)
WITH 8' MAST

DRAWN BY JK	DATE 06/19/13
MATERIAL STEEL	FINISH HDG
DWG. PURPOSE CUSTOMER	SHEET 1OF2
	SCALE 1:25

PART. NO.
SEE TABLE
DWG. NO.
UR-(000)X8



PROPRIETARY AND CONFIDENTIAL
THE INFORMATION CONTAINED IN THIS DRAWING IS THE SOLE PROPERTY OF BAIRD SUPPORTING SYSTEMS. ANY REPRODUCTION IN PART OR AS A WHOLE WITHOUT THE WRITTEN PERMISSION OF BAIRD SUPPORTING SYSTEMS IS PROHIBITED.



UNLESS OTHERWISE SPECIFIED:
DIMENSIONS ARE IN INCHES
TOLERANCES:
FRACTIONAL ±
ANGULAR: MACH ± BEND ±
TWO PLACE DECIMAL ±
THREE PLACE DECIMAL ±

DO NOT SCALE DRAWING

BAIRD MOUNTING SYSTEMS

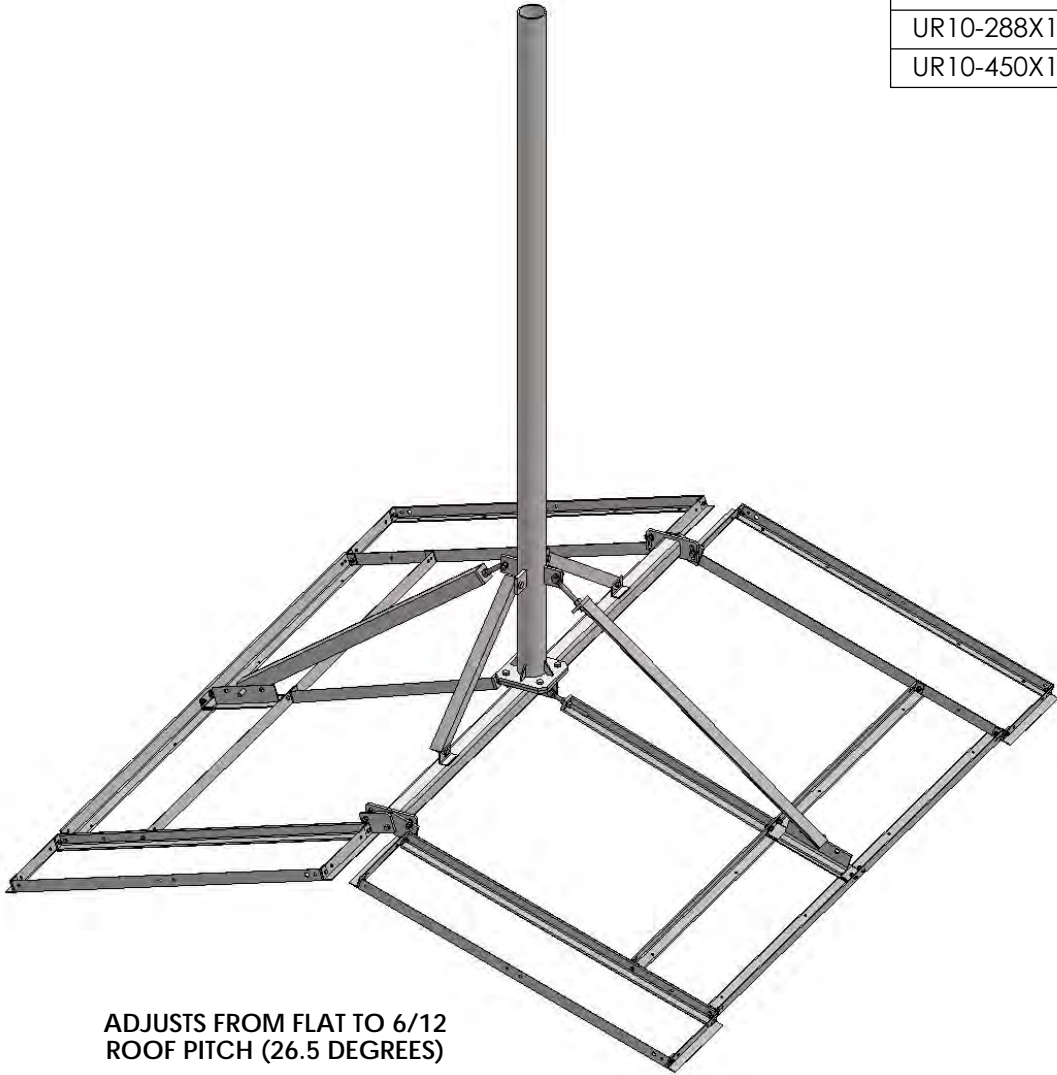
WATERLOO, IA 50703
PHONE: 319-233-3561
SALES@BAIRDMOUNTS.COM

DESCRIPTION:
UNIVERSAL RIDGEMOUNT (UR)
WITH 8' MAST

DRAWN BY JK	DATE 06/19/13	
MATERIAL STEEL	FINISH HDG	
DWG. PURPOSE CUSTOMER	SHEET 2 OF 2	SCALE 1:35

PART. NO.
SEE TABLE- SHEET 1
DWG. NO.
UR-(000)X8

PART NO.	MAST DIAMETER	WEIGHT
UR10-237X10	2.37"OD [60.3mm]	470 lbs. [213.2kg]
UR10-288X10	2.88"OD [73mm]	493 lbs. [223.6kg]
UR10-450X10	4.5"OD [114.3mm]	546 lbs. [247.7kg]



ADJUSTS FROM FLAT TO 6/12
ROOF PITCH (26.5 DEGREES)

PROPRIETARY AND CONFIDENTIAL
THE INFORMATION CONTAINED IN THIS DRAWING IS THE SOLE PROPERTY OF BAIRD SUPPORTING SYSTEMS. ANY REPRODUCTION IN PART OR AS A WHOLE WITHOUT THE WRITTEN PERMISSION OF BAIRD SUPPORTING SYSTEMS IS PROHIBITED.



WWW.BAIRD MOUNTS.COM

UNLESS OTHERWISE SPECIFIED:
DIMENSIONS ARE IN INCHES
TOLERANCES:
FRACTIONAL ±
ANGULAR: MACH ± BEND ±
TWO PLACE DECIMAL ±
THREE PLACE DECIMAL ±

DO NOT SCALE DRAWING

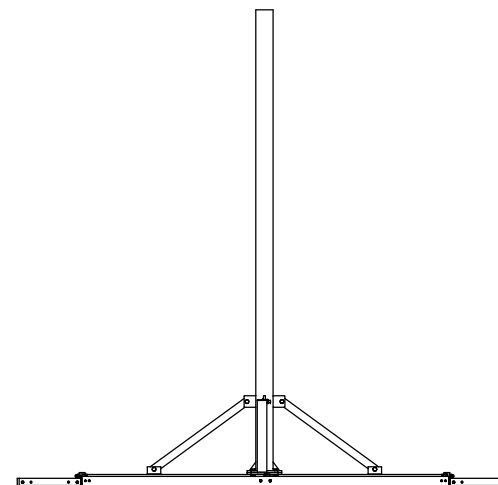
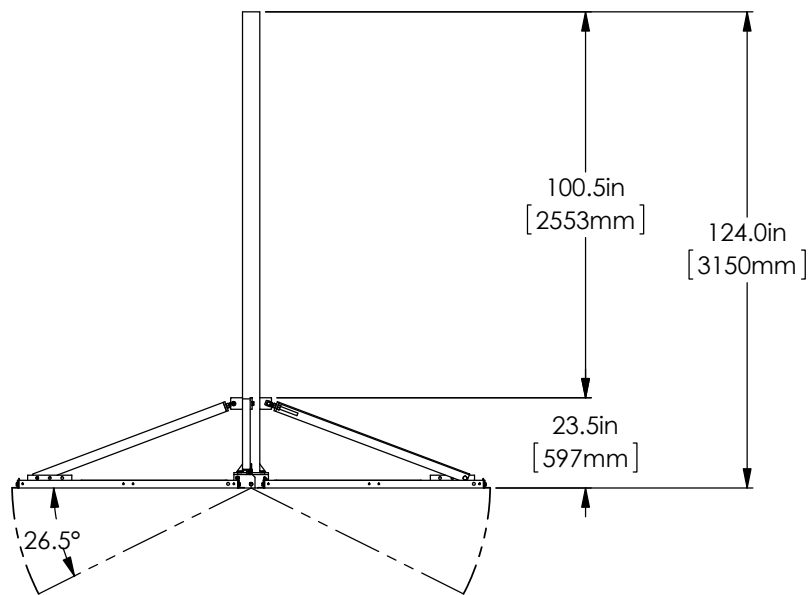
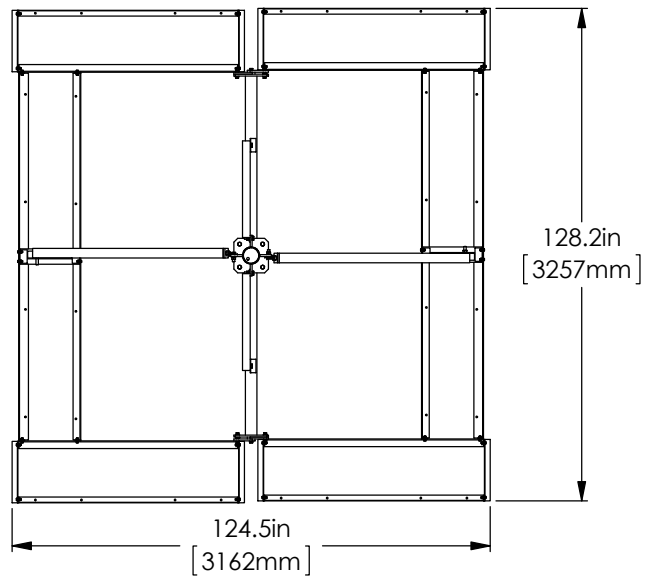
BAIRD MOUNTING SYSTEMS

WATERLOO, IA 50703
PHONE: 319-233-3561
SALES@BAIRD MOUNTS.COM

DESCRIPTION:
UR10 RIDGEMOUNT WITH 10' MAST

DRAWN BY JK	DATE 06/19/13
MATERIAL STEEL	FINISH HDG
DWG. PURPOSE CUSTOMER	SHEET 1 OF 2
	SCALE 1:30

PART. NO.
SEE TABLE
DWG. NO.
UR10-(000)X10



PROPRIETARY AND CONFIDENTIAL
THE INFORMATION CONTAINED IN THIS DRAWING IS THE SOLE PROPERTY OF BAIRD SUPPORTING SYSTEMS. ANY REPRODUCTION IN PART OR AS A WHOLE WITHOUT THE WRITTEN PERMISSION OF BAIRD SUPPORTING SYSTEMS IS PROHIBITED.



UNLESS OTHERWISE SPECIFIED:
DIMENSIONS ARE IN INCHES
TOLERANCES:
FRACTIONAL ±
ANGULAR: MACH ± BEND ±
TWO PLACE DECIMAL ±
THREE PLACE DECIMAL ±

DO NOT SCALE DRAWING

BAIRD MOUNTING SYSTEMS

WATERLOO, IA 50703
PHONE: 319-233-3561
SALES@BAIRDMOUNTS.COM

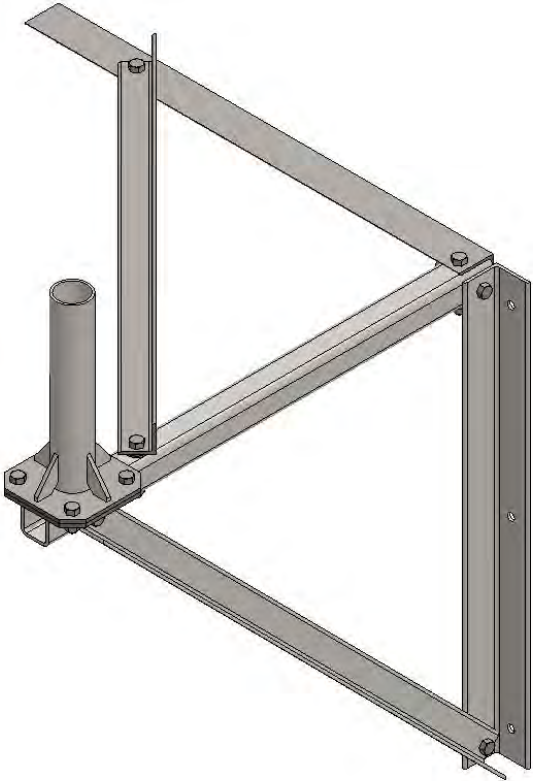
DESCRIPTION:
UR10 RIDGEMOUNT WITH 10' MAST

DRAWN BY JK	DATE 06/19/13	
MATERIAL STEEL	FINISH HDG	
DWG. PURPOSE CUSTOMER	SHEET 2OF2	SCALE 1:50

PART. NO.
SEE TABLE-SHEET 1

DWG. NO.
UR10-(000)X10

PART NO.	MAST DIAMETER	WEIGHT
WL4-166X1	1.66"OD [42.2mm]	56 lbs. [25.4kg]
WL4-190X1	1.90"OD [48.3mm]	56 lbs. [25.4kg]
WL4-200X1	2"OD [50.8mm]	56 lbs. [25.4kg]
WL4-237X1	2.37"OD [60.3mm]	56 lbs. [25.4kg]
WL4-288X1	2.88"OD [73mm]	56 lbs. [25.4kg]
WL4-300X1	3"OD [76.2mm]	56 lbs. [25.4kg]



PROPRIETARY AND CONFIDENTIAL
 THE INFORMATION CONTAINED IN THIS DRAWING IS THE SOLE PROPERTY OF BAIRD SUPPORTING SYSTEMS. ANY REPRODUCTION IN PART OR AS A WHOLE WITHOUT THE WRITTEN PERMISSION OF BAIRD SUPPORTING SYSTEMS IS PROHIBITED.



WWW.BAIRD MOUNTS.COM

UNLESS OTHERWISE SPECIFIED:
 DIMENSIONS ARE IN INCHES
 TOLERANCES:
 FRACTIONAL ±
 ANGULAR: MACH ± BEND ±
 TWO PLACE DECIMAL ±
 THREE PLACE DECIMAL ±

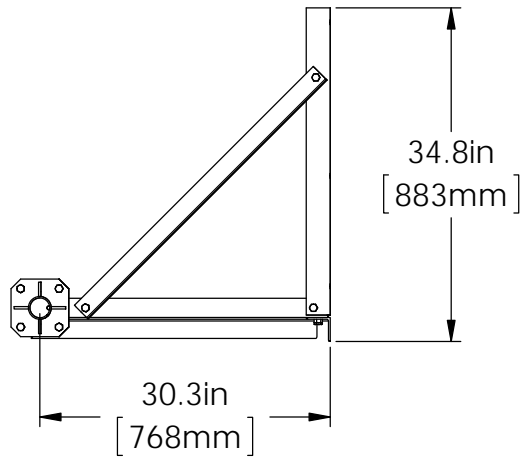
DO NOT SCALE DRAWING

BAIRD MOUNTING SYSTEMS

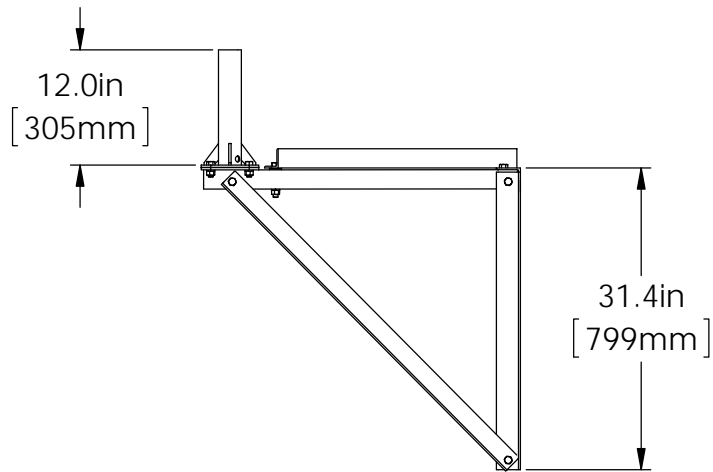
WATERLOO, IA 50703
 PHONE: 319-233-3561
 SALES@BAIRD MOUNTS.COM

TITLE:
 WL4 WALL MOUNT WITH 1' MAST

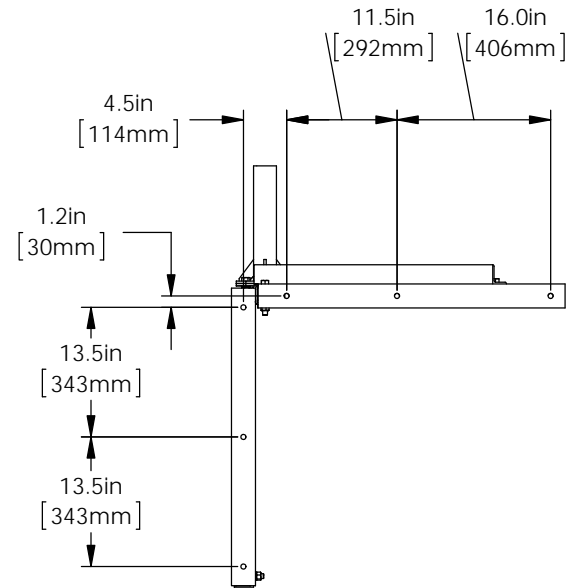
DRAWN BY JK	DATE 05/31/13	
MATERIAL STEEL	FINISH HDG	
DWG. PURPOSE CUSTOMER	SHEET 1OF2	SCALE 1:10
PART. NO. SEE TABLE		
DWG. NO. WL4-(000)X1		



TOP VIEW



SIDE VIEW



REAR VIEW

PROPRIETARY AND CONFIDENTIAL
THE INFORMATION CONTAINED IN THIS DRAWING IS THE SOLE PROPERTY OF BAIRD SUPPORTING SYSTEMS. ANY REPRODUCTION IN PART OR AS A WHOLE WITHOUT THE WRITTEN PERMISSION OF BAIRD SUPPORTING SYSTEMS IS PROHIBITED.



WWW.BAIRD MOUNTS.COM

UNLESS OTHERWISE SPECIFIED:
DIMENSIONS ARE IN INCHES
TOLERANCES:
FRACTIONAL ±
ANGULAR: MACH ± BEND ±
TWO PLACE DECIMAL ±
THREE PLACE DECIMAL ±

DO NOT SCALE DRAWING

BAIRD MOUNTING SYSTEMS

WATERLOO, IA 50703
PHONE: 319-233-3561
SALES@BAIRDMOUNTS.COM

TITLE:
WL4 WALL MOUNT WITH 1' MAST

DRAWN BY JK	DATE 05/31/13
MATERIAL STEEL	FINISH HDG
DWG. PURPOSE CUSTOMER	SHEET 2OF2
	SCALE 1:20

PART. NO.
SEE TABLE-SHEET 1

DWG. NO.
WL4-(000)X1

PART NO.	MAST DIAMETER	WEIGHT
WL4-166X3	1.66"OD [42.2mm]	60 lbs. [27.2kg]
WL4-190X3	1.90"OD [48.3mm]	61 lbs. [27.7kg]
WL4-237X3	2.37"OD [60.3mm]	63 lbs. [28.6kg]
WL4-288X3	2.88"OD [73mm]	63 lbs. [28.6kg]



PROPRIETARY AND CONFIDENTIAL
 THE INFORMATION CONTAINED IN THIS DRAWING IS THE SOLE PROPERTY OF BAIRD SUPPORTING SYSTEMS. ANY REPRODUCTION IN PART OR AS A WHOLE WITHOUT THE WRITTEN PERMISSION OF BAIRD SUPPORTING SYSTEMS IS PROHIBITED.



WWW.BAIRD MOUNTS.COM

UNLESS OTHERWISE SPECIFIED:
 DIMENSIONS ARE IN INCHES
 TOLERANCES:
 FRACTIONAL ±
 ANGULAR: MACH ± BEND ±
 TWO PLACE DECIMAL ±
 THREE PLACE DECIMAL ±

DO NOT SCALE DRAWING

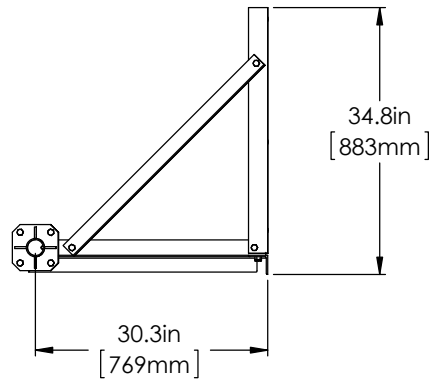
BAIRD MOUNTING SYSTEMS

WATERLOO, IA 50703
 PHONE: 319-233-3561
 SALES@BAIRD MOUNTS.COM

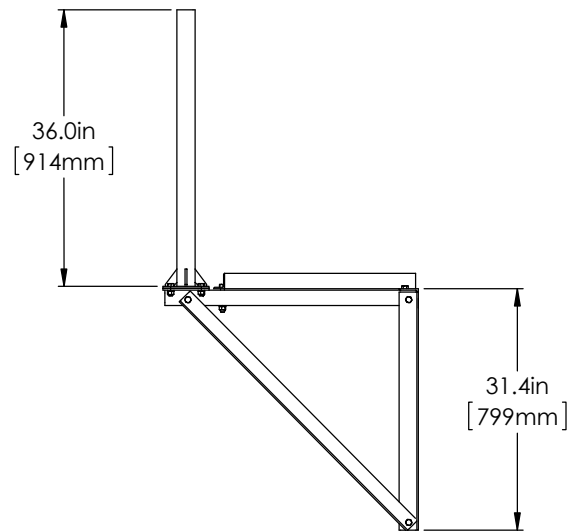
TITLE:
 WL4 WALL MOUNT WITH 3' MAST

DRAWN BY JK	DATE 06/19/13
MATERIAL STEEL	FINISH HDG
DWG. PURPOSE CUSTOMER	SHEET 10F2
	SCALE 1:10

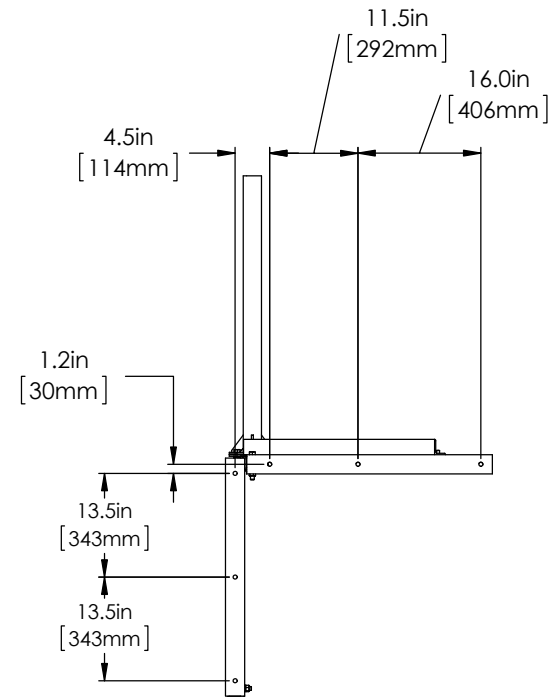
PART. NO.
SEE TABLE
 DWG. NO.
 WL4-(000)X3



TOP VIEW



SIDE VIEW



REAR VIEW

PROPRIETARY AND CONFIDENTIAL
 THE INFORMATION CONTAINED IN THIS DRAWING IS THE SOLE PROPERTY OF BAIRD SUPPORTING SYSTEMS. ANY REPRODUCTION IN PART OR AS A WHOLE WITHOUT THE WRITTEN PERMISSION OF BAIRD SUPPORTING SYSTEMS IS PROHIBITED.



WWW.BAIRD MOUNTS.COM

UNLESS OTHERWISE SPECIFIED:
 DIMENSIONS ARE IN INCHES
 TOLERANCES:
 FRACTIONAL ±
 ANGULAR: MACH ± BEND ±
 TWO PLACE DECIMAL ±
 THREE PLACE DECIMAL ±

DO NOT SCALE DRAWING

BAIRD MOUNTING SYSTEMS

WATERLOO, IA 50703
 PHONE: 319-233-3561
 SALES@BAIRDMOUNTS.COM

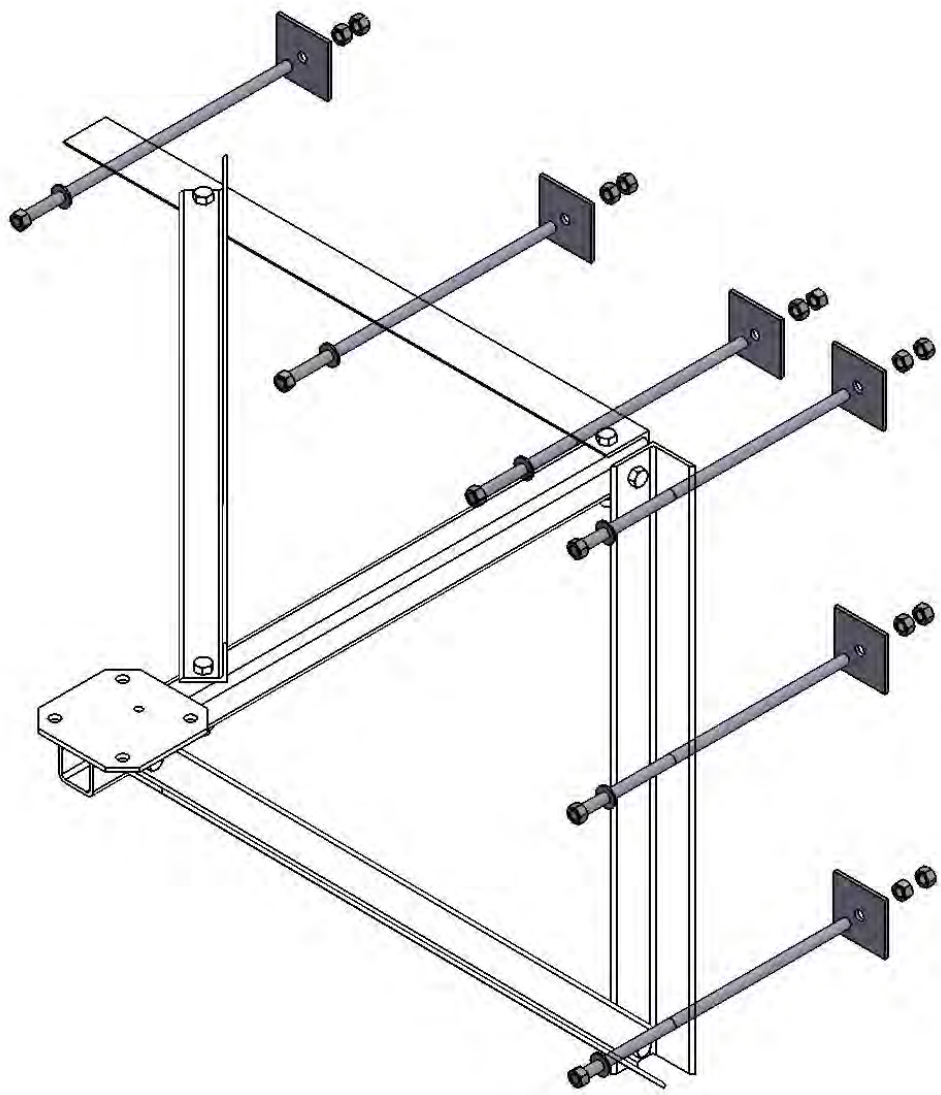
TITLE:
 WL4 WALL MOUNT WITH 3' MAST

DRAWN BY JK	DATE 06/19/13	
MATERIAL STEEL	FINISH HDG	
DWG. PURPOSE CUSTOMER	SHEET 2OF2	SCALE 1:25

PART. NO.
 SEE TABLE-SHEET 1

DWG. NO.
 WL4-(000)X3

PART NO.	DESCRIPTION	WEIGHT
WL4-MK	WL4 THRU-WALL MOUNTING KIT	10 lbs. [4.5kg]



KIT CONSISTS OF		
QTY.	DESCRIPTION	ITEM PART NO.
6	.50-13 x 16" THRD. ROD BOLT Z/P	AB1326
6	.50 USS FLATWASHER Z/P	H3-0500FW
12	.50-13 HEX NUT Z/P	H2-0500HN
6	3"x3" PLATE WASHERS, HDG	91133A140

PROPRIETARY AND CONFIDENTIAL
 THE INFORMATION CONTAINED IN THIS DRAWING IS THE SOLE PROPERTY OF BAIRD SUPPORTING SYSTEMS. ANY REPRODUCTION IN PART OR AS A WHOLE WITHOUT THE WRITTEN PERMISSION OF BAIRD SUPPORTING SYSTEMS IS PROHIBITED.

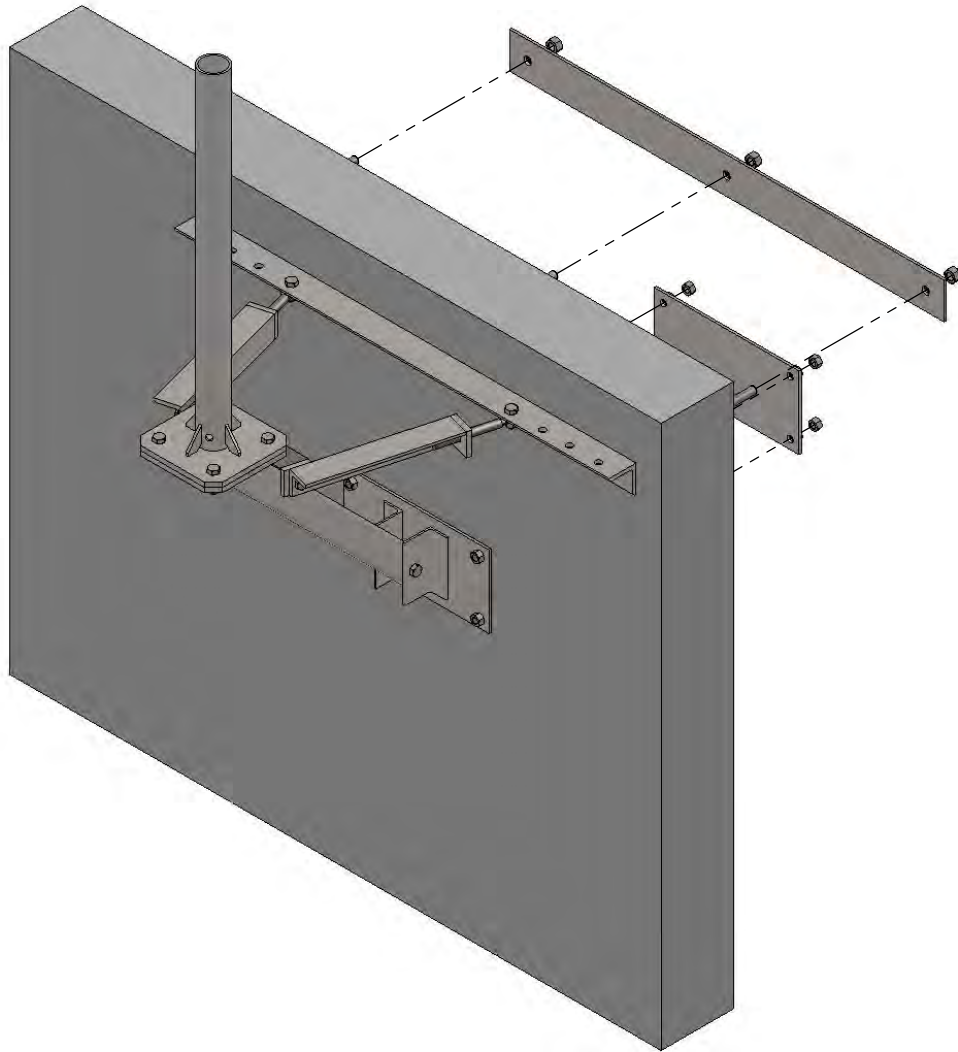


UNLESS OTHERWISE SPECIFIED:
 DIMENSIONS ARE IN INCHES
 TOLERANCES:
 FRACTIONAL ±
 ANGULAR: MACH ± BEND ±
 TWO PLACE DECIMAL ±
 THREE PLACE DECIMAL ±
 DO NOT SCALE DRAWING

BAIRD MOUNTING SYSTEMS
 WATERLOO, IA 50703
 PHONE: 319-233-3561
 SALES@BAIRDMOUNTS.COM

DESCRIPTION:
 WL-4 THRU-WALL MOUNTING KIT

DRAWN BY JK	DATE 05/31/13	
MATERIAL STEEL	FINISH HDG	
DWG. PURPOSE CUSTOMER	SHEET 1OF1	SCALE 1:8
PART. NO. WL-4-MK		
DWG. NO. WL4-MK		



PART NO.	MAST DIAMETER	WEIGHT
WL2-23-200X3	2"OD [50.8mm]	159 lbs. [70.8kg]
WL2-23-237X3	2.37"OD [60.3mm]	163 lbs. [73.9kg]
WL2-23-288X3	2.88"OD [73mm]	171 lbs. [77.6kg]
WL2-23-300X3	3"OD [73mm]	175 lbs. [79.4kg]
WL2-23-350X3	3.5"OD [88.9mm]	176 lbs. [79.8kg]
WL2-23-400X3	4"OD [101.6mm]	181 lbs. [82.1kg]
WL2-23-450X3	4.5"OD [114.3mm]	186 lbs. [84.4kg]
WL2-23-556X3	5.56"OD [141.3mm]	198 lbs. [89.8kg]
WL2-23-662X3	6.62"OD [168.3mm]	212 lbs. [96.2kg]

PROPRIETARY AND CONFIDENTIAL
 THE INFORMATION CONTAINED IN THIS DRAWING IS THE SOLE PROPERTY OF BAIRD SUPPORTING SYSTEMS. ANY REPRODUCTION IN PART OR AS A WHOLE WITHOUT THE WRITTEN PERMISSION OF BAIRD SUPPORTING SYSTEMS IS PROHIBITED.



WWW.BAIRD MOUNTS.COM

UNLESS OTHERWISE SPECIFIED:
 DIMENSIONS ARE IN INCHES
 TOLERANCES:
 FRACTIONAL ±
 ANGULAR: MACH ± BEND ±
 TWO PLACE DECIMAL ±
 THREE PLACE DECIMAL ±

DO NOT SCALE DRAWING

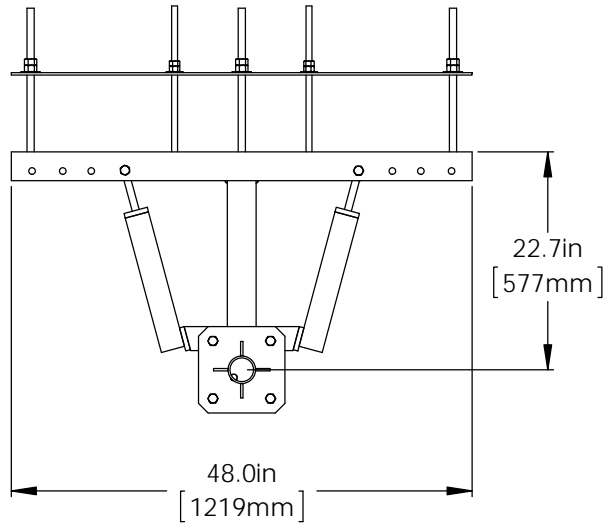
BAIRD MOUNTING SYSTEMS

WATERLOO, IA 50703
 PHONE: 319-233-3561
 SALES@BAIRD MOUNTS.COM

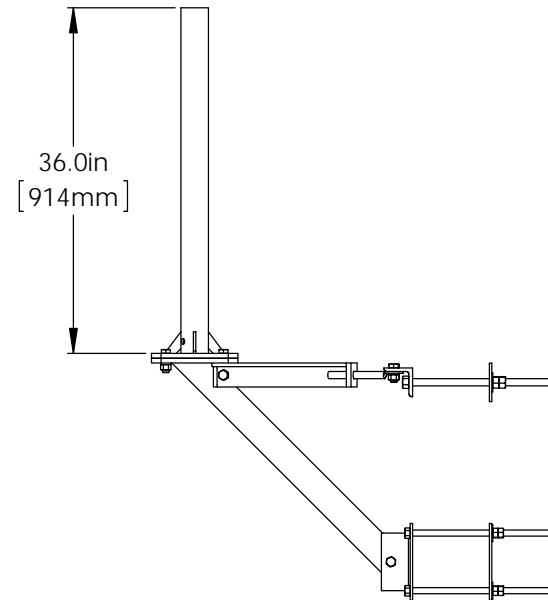
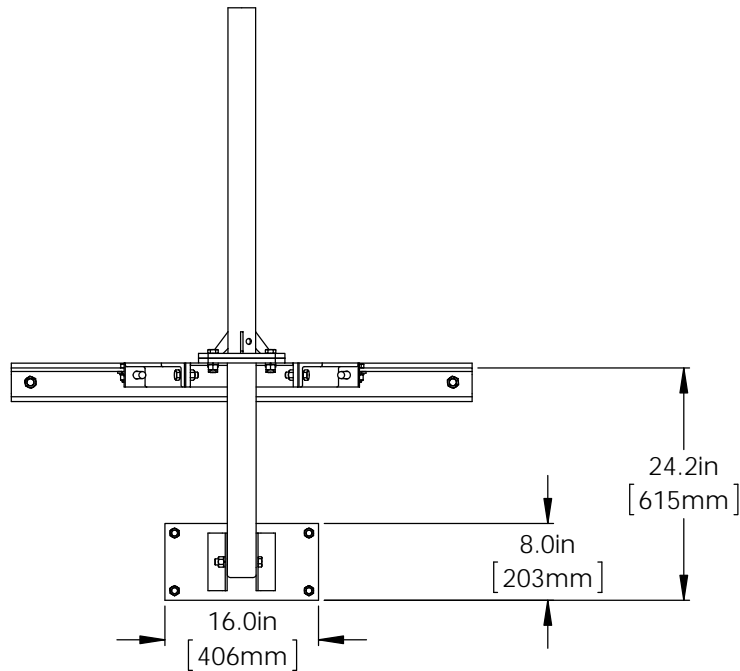
DESCRIPTION:
 WL-2 23" WALL MOUNT WITH 3' MAST

DRAWN BY JK	DATE 05/31/13
MATERIAL STEEL	FINISH HDG
DWG. PURPOSE CUSTOMER	SHEET 10F2
	SCALE 1:15

PART. NO.
 SEE TABLE
 DWG. NO.
 WL2-23-(000)X3



MOUNT IS SHOWN WITH THE THRU-WALL MOUNTING KIT COMES STANDARD WITH THE WL2-23 WALL MOUNT.



PROPRIETARY AND CONFIDENTIAL
THE INFORMATION CONTAINED IN THIS DRAWING IS THE SOLE PROPERTY OF BAIRD SUPPORTING SYSTEMS. ANY REPRODUCTION IN PART OR AS A WHOLE WITHOUT THE WRITTEN PERMISSION OF BAIRD SUPPORTING SYSTEMS IS PROHIBITED.



WWW.BAIRD MOUNTS.COM

UNLESS OTHERWISE SPECIFIED:
DIMENSIONS ARE IN INCHES
TOLERANCES:
FRACTIONAL ±
ANGULAR: MACH ± BEND ±
TWO PLACE DECIMAL ±
THREE PLACE DECIMAL ±

DO NOT SCALE DRAWING

BAIRD MOUNTING SYSTEMS

WATERLOO, IA 50703
PHONE: 319-233-3561
SALES@BAIRDMOUNTS.COM

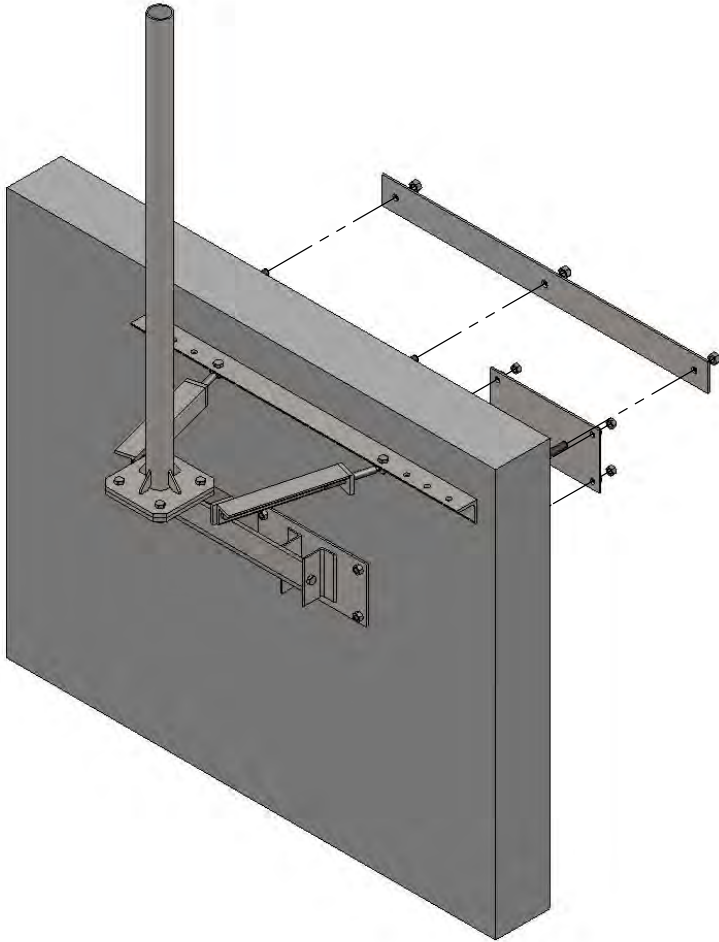
DESCRIPTION:
WL-2 23" WALL MOUNT WITH 3' MAST

DRAWN BY JK	DATE 05/31/13	
MATERIAL STEEL	FINISH HDG	
DWG. PURPOSE CUSTOMER	SHEET 2OF2	SCALE 1:15

PART. NO.
SEE TABLE-SHEET 1

DWG. NO.
WL2-23-(000)X3

PART NO.	MAST DIAMETER	WEIGHT
WL2-23-237X5	2.37"OD [60.3mm]	170 lbs. [77.1kg]
WL2-23-288X5	2.88"OD [73mm]	183 lbs. [83.0kg]
WL2-23-350X5	3.5"OD [88.9mm]	192 lbs. [87.1kg]
WL2-23-450X5	4.5"OD [114.3mm]	209 lbs. [94.8kg]



PROPRIETARY AND CONFIDENTIAL
 THE INFORMATION CONTAINED IN THIS DRAWING IS THE SOLE PROPERTY OF BAIRD SUPPORTING SYSTEMS. ANY REPRODUCTION IN PART OR AS A WHOLE WITHOUT THE WRITTEN PERMISSION OF BAIRD SUPPORTING SYSTEMS IS PROHIBITED.



WWW.BAIRD MOUNTS.COM

UNLESS OTHERWISE SPECIFIED:
 DIMENSIONS ARE IN INCHES
 TOLERANCES:
 FRACTIONAL ±
 ANGULAR: MACH ± BEND ±
 TWO PLACE DECIMAL ±
 THREE PLACE DECIMAL ±

DO NOT SCALE DRAWING

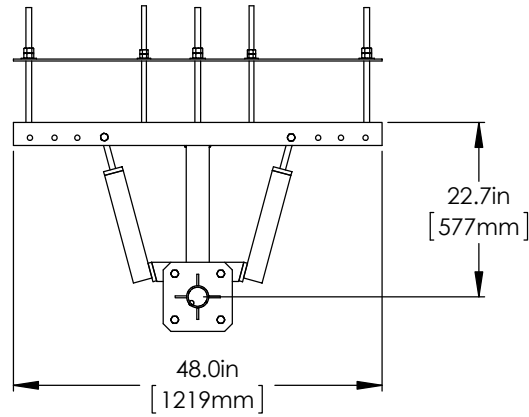
BAIRD MOUNTING SYSTEMS

WATERLOO, IA 50703
 PHONE: 319-233-3561
 SALES@BAIRD MOUNTS.COM

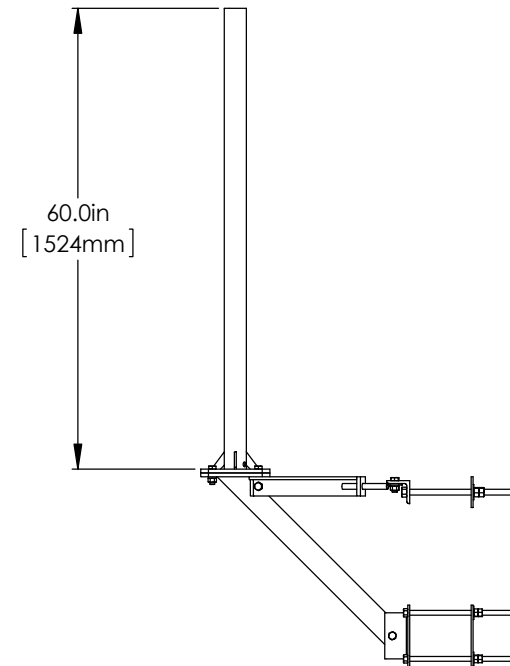
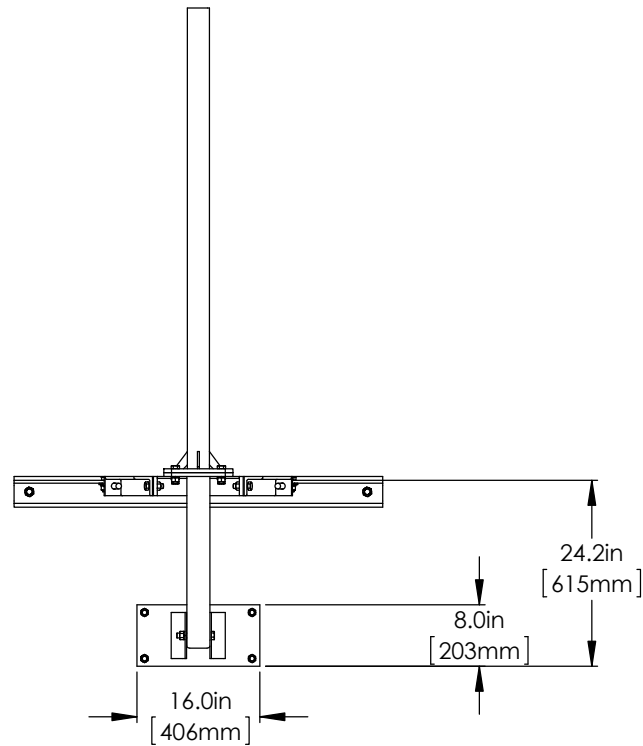
DESCRIPTION:
 WL-2 23" WALL MOUNT WITH 5' MAST

DRAWN BY JK	DATE 06/19/13
MATERIAL STEEL	FINISH HDG
DWG. PURPOSE CUSTOMER	SHEET 1OF2
	SCALE 1:20

PART. NO.
SEE TABLE
 DWG. NO.
 WL2-23-(000)X5



MOUNT IS SHOWN WITH THE THRU-WALL MOUNTING KIT COMES STANDARD WITH THE WL2-23 WALL MOUNT.



PROPRIETARY AND CONFIDENTIAL
THE INFORMATION CONTAINED IN THIS DRAWING IS THE SOLE PROPERTY OF BAIRD SUPPORTING SYSTEMS. ANY REPRODUCTION IN PART OR AS A WHOLE WITHOUT THE WRITTEN PERMISSION OF BAIRD SUPPORTING SYSTEMS IS PROHIBITED.



WWW.BAIRD MOUNTS.COM

UNLESS OTHERWISE SPECIFIED:
DIMENSIONS ARE IN INCHES
TOLERANCES:
FRACTIONAL ±
ANGULAR: MACH ± BEND ±
TWO PLACE DECIMAL ±
THREE PLACE DECIMAL ±

DO NOT SCALE DRAWING

BAIRD MOUNTING SYSTEMS

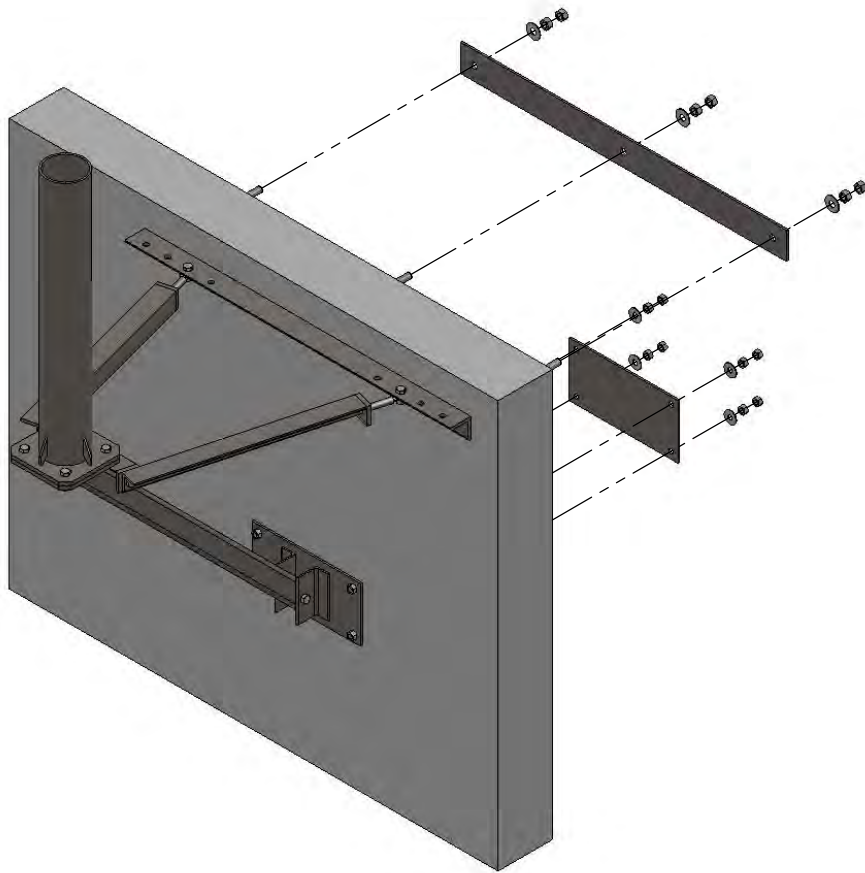
WATERLOO, IA 50703
PHONE: 319-233-3561
SALES@BAIRD MOUNTS.COM

DESCRIPTION:
WL-2 23" WALL MOUNT WITH 5' MAST

DRAWN BY JK	DATE 06/19/13	
MATERIAL STEEL	FINISH HDG	
DWG. PURPOSE CUSTOMER	SHEET 20F2	SCALE 1:25

PART. NO.
SEE TABLE-SHEET 1

DWG. NO.
WL2-23-(000)X5



PART NO.	MAST DIAMETER	WEIGHT
WL2-36-237X3	2.37"OD [60.3mm]	197 lbs. [89.4kg]
WL2-36-288X3	2.88"OD [73mm]	204 lbs. [92.5kg]
WL2-36-300X3	3"OD [73mm]	210 lbs. [95.3kg]
WL2-36-350X3	3.5"OD [88.9mm]	210 lbs. [95.3kg]
WL2-36-400X3	4"OD [101.6mm]	215 lbs. [97.5kg]
WL2-36-450X3	4.5"OD [114.3mm]	220 lbs. [99.8kg]
WL2-36-556X3	5.56"OD [141.3mm]	232 lbs. [105.2kg]
WL2-36-662X3	6.62"OD [168.3mm]	246 lbs. [111.6kg]

PROPRIETARY AND CONFIDENTIAL

THE INFORMATION CONTAINED IN THIS DRAWING IS THE SOLE PROPERTY OF BAIRD SUPPORTING SYSTEMS. ANY REPRODUCTION IN PART OR AS A WHOLE WITHOUT THE WRITTEN PERMISSION OF BAIRD SUPPORTING SYSTEMS IS PROHIBITED.



WWW.BAIRD MOUNTS.COM

UNLESS OTHERWISE SPECIFIED:

DIMENSIONS ARE IN INCHES
 TOLERANCES:
 FRACTIONAL ±
 ANGULAR: MACH ± BEND ±
 TWO PLACE DECIMAL ±
 THREE PLACE DECIMAL ±

DO NOT SCALE DRAWING

BAIRD MOUNTING SYSTEMS

WATERLOO, IA 50703
 PHONE: 319-233-3561
 SALES@BAIRD MOUNTS.COM

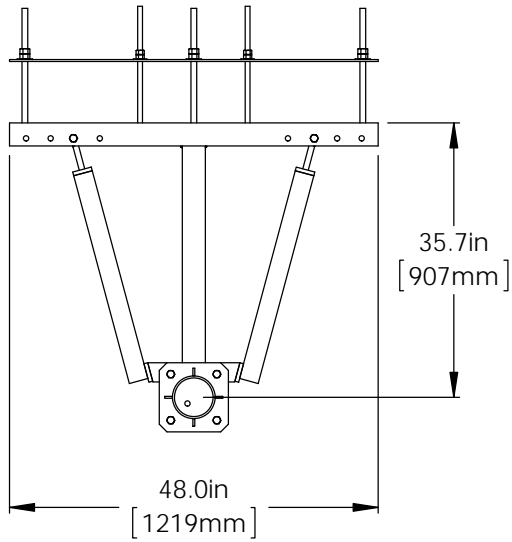
DESCRIPTION:

WL2-36 WALL MOUNT WITH 3' MAST

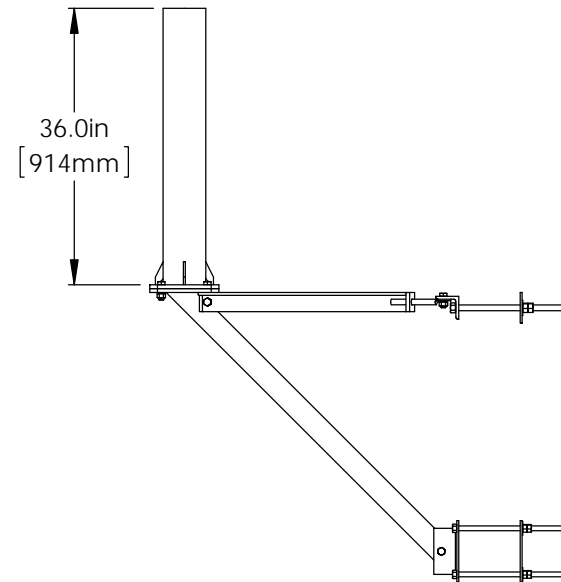
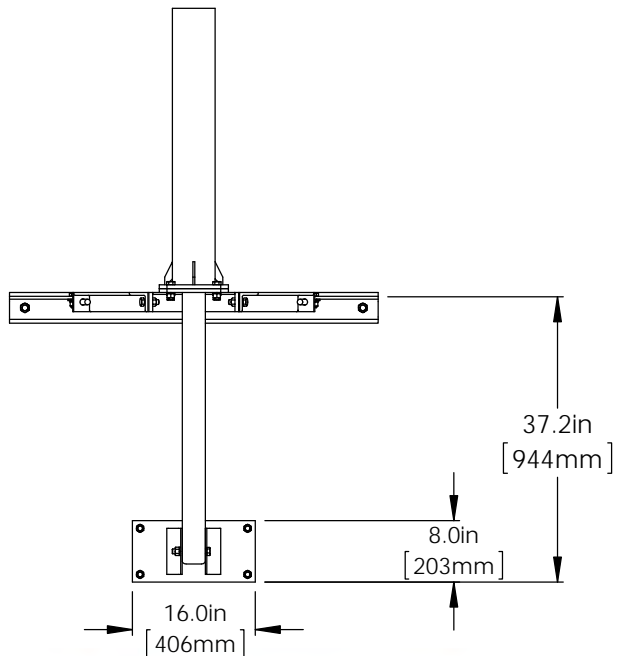
DRAWN BY JK	DATE 06/04/13
MATERIAL STEEL	FINISH HDG
DWG. PURPOSE CUSTOMER	SHEET 1OF2
	SCALE 1:15

PART. NO.
SEE TABLE

DWG. NO.
WL2-36-(000)X3



MOUNT IS SHOWN WITH THE THRU-WALL MOUNTING KIT. COMES STANDARD WITH THE WL2-36 WALL MOUNT.



PROPRIETARY AND CONFIDENTIAL
THE INFORMATION CONTAINED IN THIS DRAWING IS THE SOLE PROPERTY OF BAIRD SUPPORTING SYSTEMS. ANY REPRODUCTION IN PART OR AS A WHOLE WITHOUT THE WRITTEN PERMISSION OF BAIRD SUPPORTING SYSTEMS IS PROHIBITED.



WWW.BAIRD MOUNTS.COM

UNLESS OTHERWISE SPECIFIED:
DIMENSIONS ARE IN INCHES
TOLERANCES:
FRACTIONAL ±
ANGULAR: MACH ± BEND ±
TWO PLACE DECIMAL ±
THREE PLACE DECIMAL ±

DO NOT SCALE DRAWING

BAIRD MOUNTING SYSTEMS

WATERLOO, IA 50703
PHONE: 319-233-3561
SALES@BAIRDMOUNTS.COM

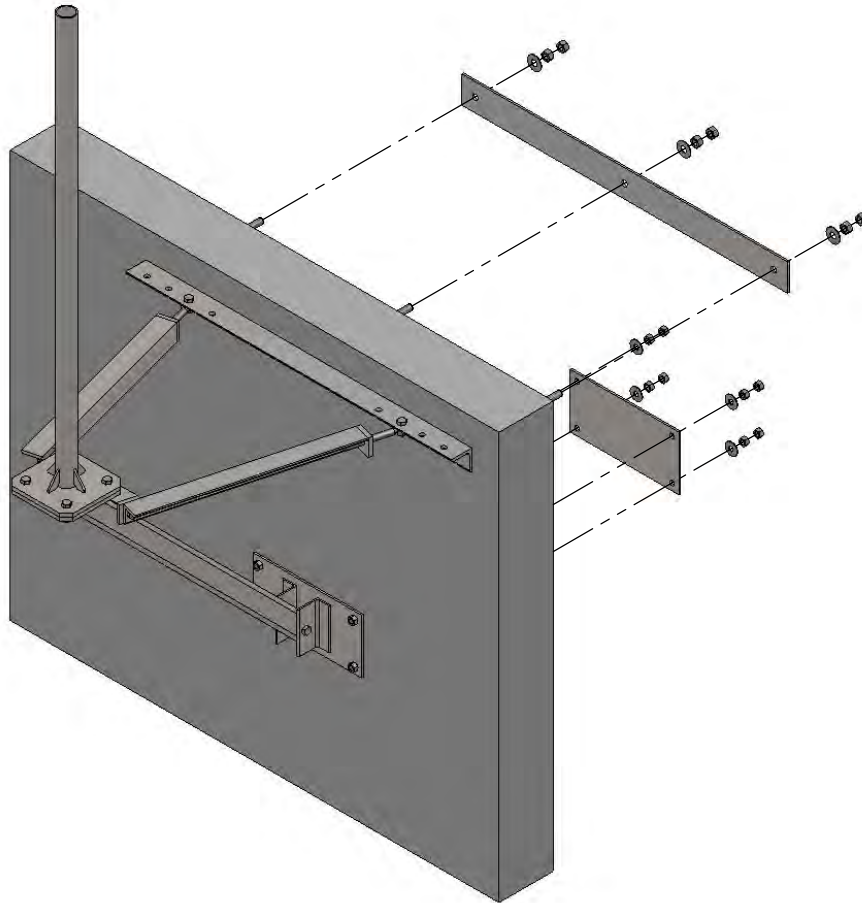
DESCRIPTION:
WL2-36 WALL MOUNT WITH 3' MAST

DRAWN BY JK	DATE 06/04/13	
MATERIAL STEEL	FINISH HDG	
DWG. PURPOSE CUSTOMER	SHEET 2OF2	SCALE 1:25

PART. NO.
SEE TABLE-SHEET 1

DWG. NO.
WL2-36-(000)X3

PART NO.	MAST DIAMETER	WEIGHT
WL2-36-237X5	2.37"OD [60.3mm]	204 lbs. [92.5kg]
WL2-36-288X5	2.88"OD [73mm]	216 lbs. [98.0kg]
WL2-36-350X5	3.5"OD [88.9mm]	226 lbs. [102.5kg]
WL2-36-450X5	4.5"OD [114.3mm]	243 lbs. [110.2kg]



PROPRIETARY AND CONFIDENTIAL
 THE INFORMATION CONTAINED IN THIS DRAWING IS THE SOLE PROPERTY OF BAIRD SUPPORTING SYSTEMS. ANY REPRODUCTION IN PART OR AS A WHOLE WITHOUT THE WRITTEN PERMISSION OF BAIRD SUPPORTING SYSTEMS IS PROHIBITED.



WWW.BAIRD MOUNTS.COM

UNLESS OTHERWISE SPECIFIED:
 DIMENSIONS ARE IN INCHES
 TOLERANCES:
 FRACTIONAL ±
 ANGULAR: MACH ± BEND ±
 TWO PLACE DECIMAL ±
 THREE PLACE DECIMAL ±

DO NOT SCALE DRAWING

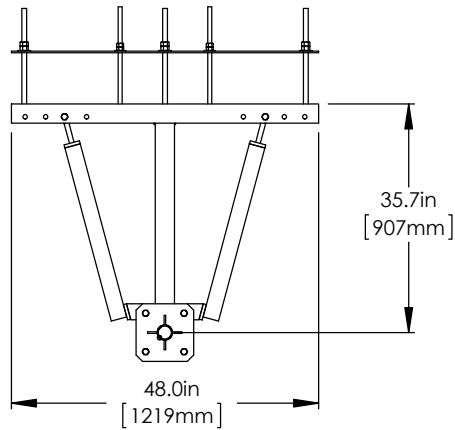
BAIRD MOUNTING SYSTEMS

WATERLOO, IA 50703
 PHONE: 319-233-3561
 SALES@BAIRD MOUNTS.COM

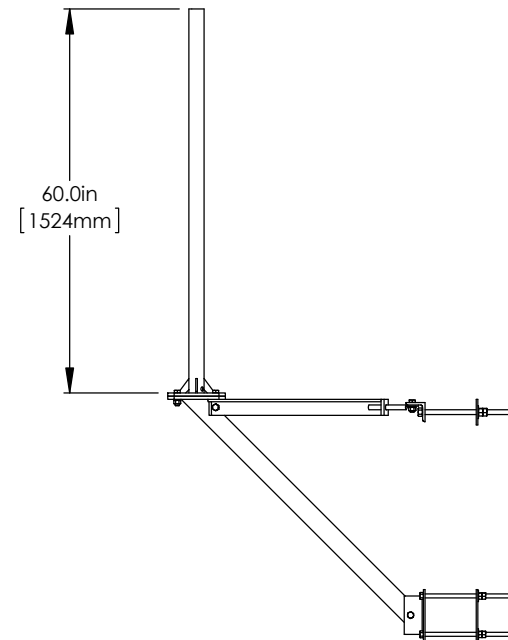
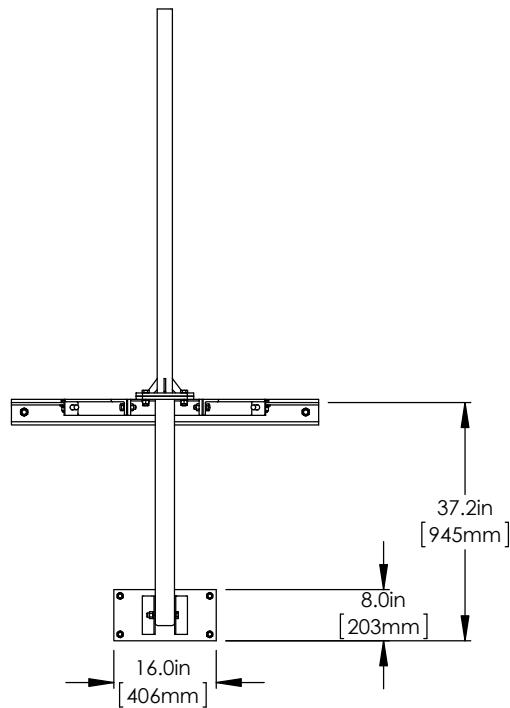
DESCRIPTION:
 WL2-36 WALL MOUNT WITH 5' MAST

DRAWN BY JK	DATE 06/19/13
MATERIAL STEEL	FINISH HDG
DWG. PURPOSE CUSTOMER	SHEET 1OF2
	SCALE 1:20

PART. NO.
SEE TABLE
 DWG. NO.
 WL2-36-(000)X5



MOUNT IS SHOWN WITH THE THRU-WALL MOUNTING KIT. COMES STANDARD WITH THE WL2-36 WALL MOUNT.



PROPRIETARY AND CONFIDENTIAL
THE INFORMATION CONTAINED IN THIS DRAWING IS THE SOLE PROPERTY OF BAIRD SUPPORTING SYSTEMS. ANY REPRODUCTION IN PART OR AS A WHOLE WITHOUT THE WRITTEN PERMISSION OF BAIRD SUPPORTING SYSTEMS IS PROHIBITED.



WWW.BAIRD MOUNTS.COM

UNLESS OTHERWISE SPECIFIED:
DIMENSIONS ARE IN INCHES
TOLERANCES:
FRACTIONAL ±
ANGULAR: MACH ± BEND ±
TWO PLACE DECIMAL ±
THREE PLACE DECIMAL ±

DO NOT SCALE DRAWING

BAIRD MOUNTING SYSTEMS

WATERLOO, IA 50703
PHONE: 319-233-3561
SALES@BAIRD MOUNTS.COM

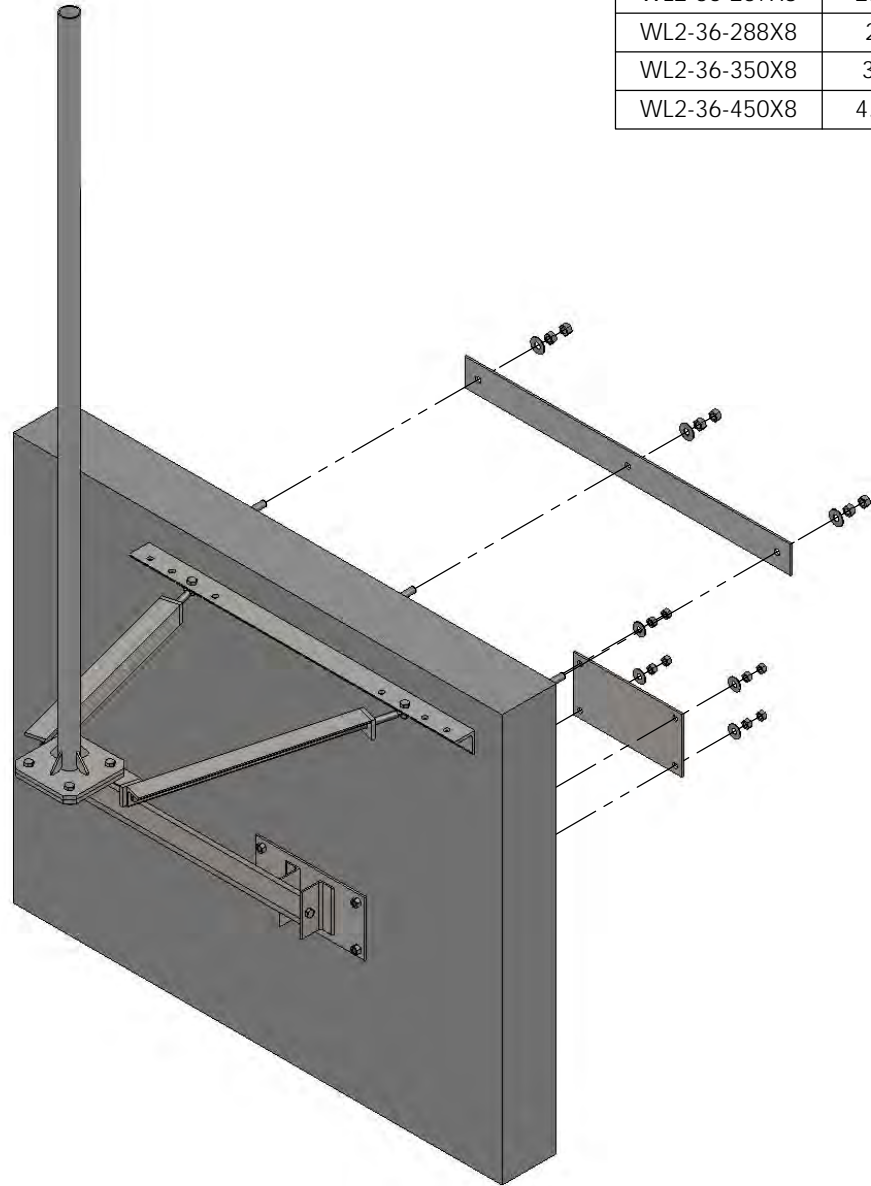
DESCRIPTION:
WL2-36 WALL MOUNT WITH 5' MAST

DRAWN BY JK	DATE 06/19/13	
MATERIAL STEEL	FINISH HDG	
DWG. PURPOSE CUSTOMER	SHEET 2OF2	SCALE 1:30

PART. NO.
SEE TABLE-SHEET 1

DWG. NO.
WL2-36-(000)X5

PART NO.	MAST DIAMETER	WEIGHT
WL2-36-237X8	2.37"OD [60.3mm]	215 lbs. [97.5kg]
WL2-36-288X8	2.88"OD [73mm]	234 lbs. [106.1kg]
WL2-36-350X8	3.5"OD [88.9mm]	249 lbs. [112.9kg]
WL2-36-450X8	4.5"OD [114.3mm]	277 lbs. [125.6kg]



PROPRIETARY AND CONFIDENTIAL
 THE INFORMATION CONTAINED IN THIS DRAWING IS THE SOLE PROPERTY OF BAIRD SUPPORTING SYSTEMS. ANY REPRODUCTION IN PART OR AS A WHOLE WITHOUT THE WRITTEN PERMISSION OF BAIRD SUPPORTING SYSTEMS IS PROHIBITED.



WWW.BAIRD MOUNTS.COM

UNLESS OTHERWISE SPECIFIED:
 DIMENSIONS ARE IN INCHES
 TOLERANCES:
 FRACTIONAL ±
 ANGULAR: MACH ± BEND ±
 TWO PLACE DECIMAL ±
 THREE PLACE DECIMAL ±

DO NOT SCALE DRAWING

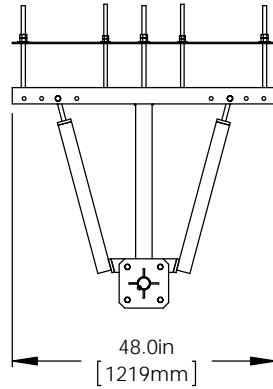
BAIRD MOUNTING SYSTEMS

WATERLOO, IA 50703
 PHONE: 319-233-3561
 SALES@BAIRD MOUNTS.COM

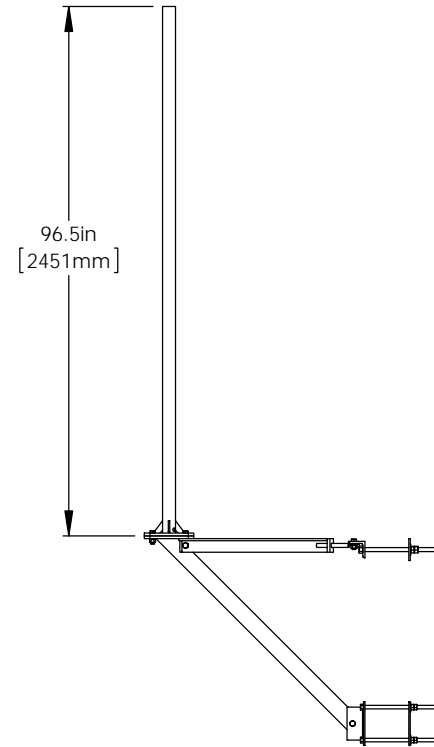
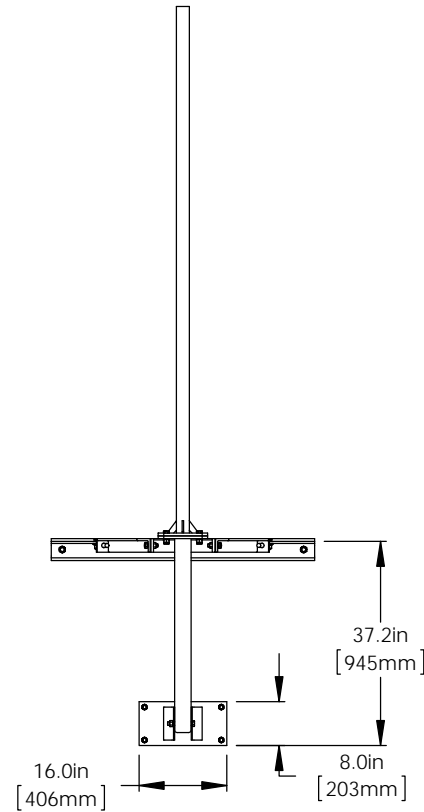
DESCRIPTION:
 WL2-36 WALL MOUNT WITH 8' MAST

DRAWN BY JK	DATE 08/16/13
MATERIAL STEEL	FINISH HDG
DWG. PURPOSE CUSTOMER	SHEET 1OF2
	SCALE 1:20

PART. NO.
SEE TABLE
 DWG. NO.
 WL2-36-(000)X8



MOUNT IS SHOWN WITH THE THRU-WALL MOUNTING KIT. COMES STANDARD WITH THE WL2-36 WALL MOUNT.



PROPRIETARY AND CONFIDENTIAL
 THE INFORMATION CONTAINED IN THIS DRAWING IS THE SOLE PROPERTY OF BAIRD SUPPORTING SYSTEMS. ANY REPRODUCTION IN PART OR AS A WHOLE WITHOUT THE WRITTEN PERMISSION OF BAIRD SUPPORTING SYSTEMS IS PROHIBITED.



WWW.BAIRD MOUNTS.COM

UNLESS OTHERWISE SPECIFIED:
 DIMENSIONS ARE IN INCHES
 TOLERANCES:
 FRACTIONAL ±
 ANGULAR: MACH ± BEND ±
 TWO PLACE DECIMAL ±
 THREE PLACE DECIMAL ±

DO NOT SCALE DRAWING

BAIRD MOUNTING SYSTEMS

WATERLOO, IA 50703
 PHONE: 319-233-3561
 SALES@BAIRD MOUNTS.COM

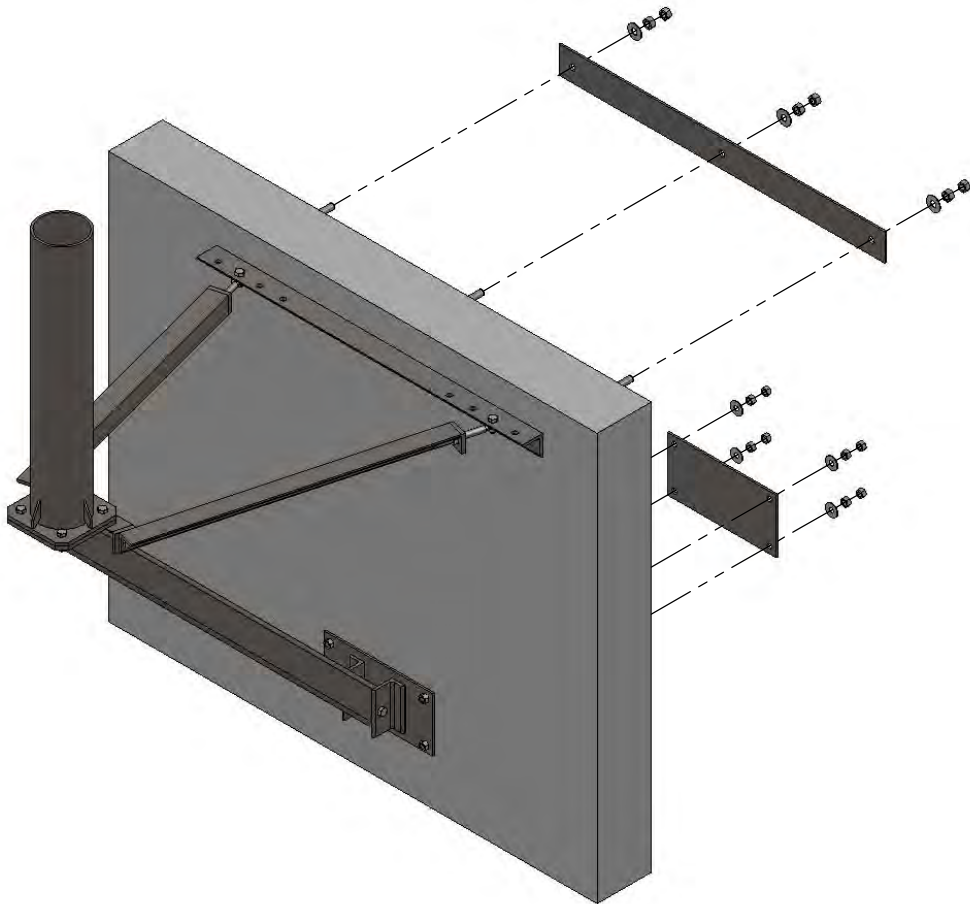
DESCRIPTION:
 WL2-36 WALL MOUNT WITH 8' MAST

DRAWN BY JK	DATE 06/19/13	
MATERIAL STEEL	FINISH HDG	
DWG. PURPOSE CUSTOMER	SHEET 2OF2	SCALE 1:35

PART. NO.
 SEE TABLE-SHEET 1

DWG. NO.
 WL2-36-(000)X8

PART NO.	MAST DIAMETER	WEIGHT
WL2-48-288X3	2.88"OD [73mm]	254 lbs. [115.2kg]
WL2-48-300X3	3"OD [73mm]	259 lbs. [117.5kg]
WL2-48-350X3	3.5"OD [88.9mm]	259 lbs. [117.5kg]
WL2-48-400X3	4"OD [101.6mm]	264 lbs. [119.7kg]
WL2-48-450X3	4.5"OD [114.3mm]	269 lbs. [122.0kg]
WL2-48-556X3	5.56"OD [141.3mm]	281 lbs. [127.5kg]
WL2-48-662X3	6.62"OD [168.3mm]	295 lbs. [133.8kg]



PROPRIETARY AND CONFIDENTIAL
 THE INFORMATION CONTAINED IN THIS DRAWING IS THE SOLE PROPERTY OF BAIRD SUPPORTING SYSTEMS. ANY REPRODUCTION IN PART OR AS A WHOLE WITHOUT THE WRITTEN PERMISSION OF BAIRD SUPPORTING SYSTEMS IS PROHIBITED.

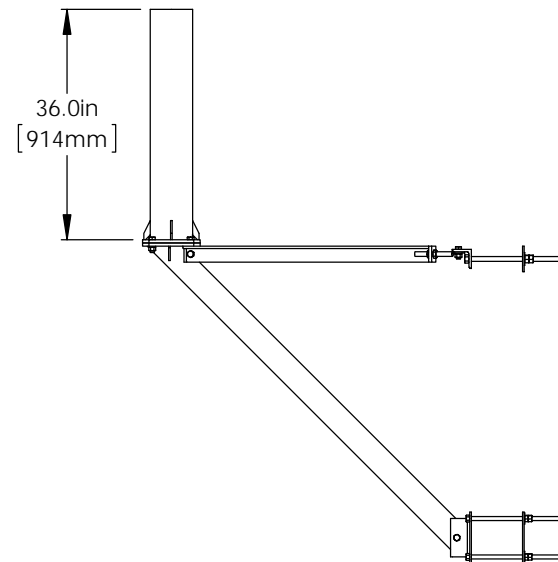
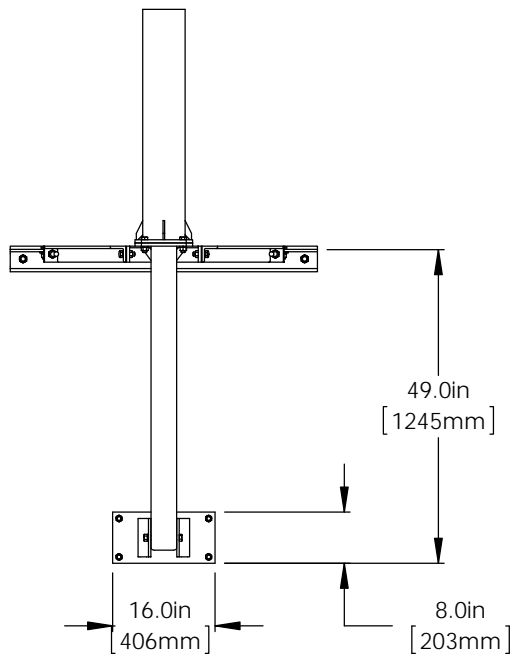
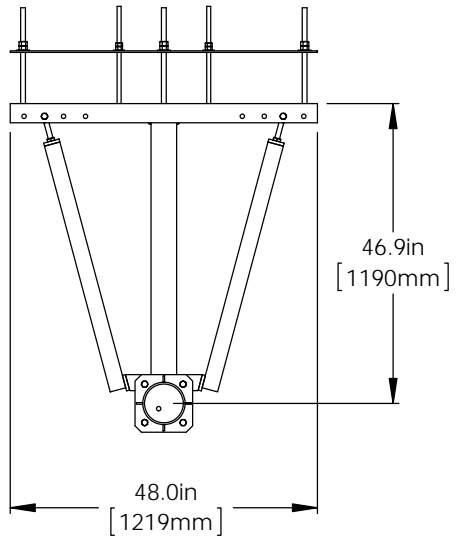


UNLESS OTHERWISE SPECIFIED:
 DIMENSIONS ARE IN INCHES
 TOLERANCES:
 FRACTIONAL ±
 ANGULAR: MACH ± BEND ±
 TWO PLACE DECIMAL ±
 THREE PLACE DECIMAL ±
 DO NOT SCALE DRAWING

BAIRD MOUNTING SYSTEMS
 WATERLOO, IA 50703
 PHONE: 319-233-3561
 SALES@BAIRDMOUNTS.COM

DESCRIPTION:
 WL2-48 WALL MOUNT WITH 3' MAST

DRAWN BY JK	DATE 06/04/13
MATERIAL STEEL	FINISH HDG
DWG. PURPOSE CUSTOMER	SHEET 1OF2
SCALE 1:20	
PART. NO. SEE TABLE	
DWG. NO. WL2-48-(000)X3	



PROPRIETARY AND CONFIDENTIAL
THE INFORMATION CONTAINED IN THIS DRAWING IS THE SOLE PROPERTY OF BAIRD SUPPORTING SYSTEMS. ANY REPRODUCTION IN PART OR AS A WHOLE WITHOUT THE WRITTEN PERMISSION OF BAIRD SUPPORTING SYSTEMS IS PROHIBITED.



WWW.BAIRD MOUNTS.COM

UNLESS OTHERWISE SPECIFIED:
DIMENSIONS ARE IN INCHES
TOLERANCES:
FRACTIONAL ±
ANGULAR: MACH ± BEND ±
TWO PLACE DECIMAL ±
THREE PLACE DECIMAL ±

DO NOT SCALE DRAWING

BAIRD MOUNTING SYSTEMS

WATERLOO, IA 50703
PHONE: 319-233-3561
SALES@BAIRD MOUNTS.COM

DESCRIPTION:

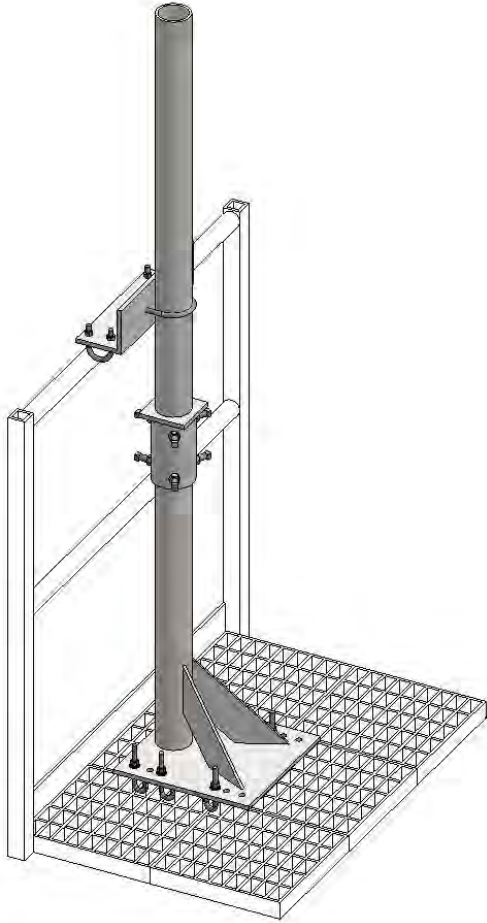
WL2-48 WALL MOUNT WITH 3' MAST

DRAWN BY JK	DATE 06/04/13	
MATERIAL STEEL	FINISH HDG	
DWG. PURPOSE CUSTOMER	SHEET 2OF2	SCALE 1:30

PART. NO.
SEE TABLE-SHEET 1

DWG. NO.
WL2-48-(000)X3

PART NO.	MAST DIAMETER	WEIGHT
UORM-166X55	1.66"OD [42.2mm]	65 lbs. [29.5kg]
UORM-190X55	1.90"OD [48.3mm]	66 lbs. [29.9kg]
UORM-200X55	2"OD [50.8mm]	66 lbs. [29.9kg]
UORM-237X55	2.37"OD [60.3mm]	66 lbs. [29.9kg]
UORM-288X55	2.88"OD [73mm]	67 lbs. [30.4kg]
UORM-300X55	3"OD [76.2mm]	68 lbs. [30.8kg]



PARTIAL PLATFORM AND HANDRAIL SHOWN FOR EXAMPLE ONLY AND IS NOT PART OF THE MOUNT.

PROPRIETARY AND CONFIDENTIAL
 THE INFORMATION CONTAINED IN THIS DRAWING IS THE SOLE PROPERTY OF BAIRD SUPPORTING SYSTEMS. ANY REPRODUCTION IN PART OR AS A WHOLE WITHOUT THE WRITTEN PERMISSION OF BAIRD SUPPORTING SYSTEMS IS PROHIBITED.



WWW.BAIRD MOUNTS.COM

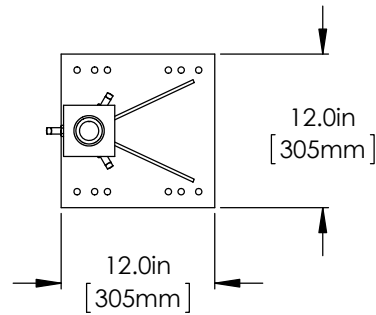
UNLESS OTHERWISE SPECIFIED:
 DIMENSIONS ARE IN INCHES
 TOLERANCES:
 FRACTIONAL ±
 ANGULAR: MACH ± BEND ±
 TWO PLACE DECIMAL ±
 THREE PLACE DECIMAL ±

DO NOT SCALE DRAWING

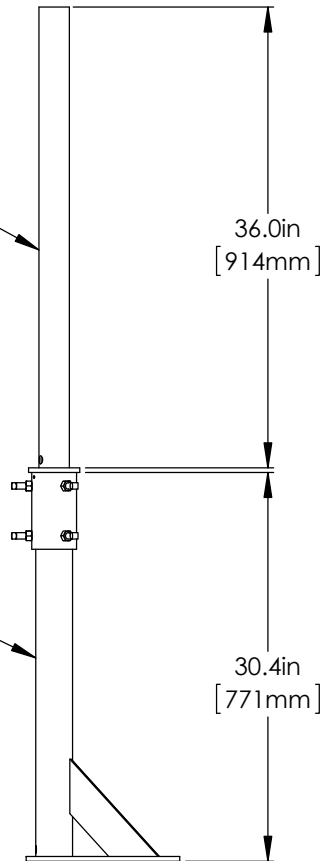
BAIRD MOUNTING SYSTEMS
 WATERLOO, IA 50703
 PHONE: 319-233-3561
 SALES@BAIRDMOUNTS.COM

DESCRIPTION:
 UNIVERSAL OIL RIG MOUNT

DRAWN BY JK	DATE 6/14/13	
MATERIAL STEEL	FINISH HDG	
DWG. PURPOSE CUSTOMER	SHEET 1OF2	SCALE 1:15
PART. NO. SEE TABLE		
DWG. NO. UORM-(000)X55		



UPPER MAST
DIAMETER PER P/N
SLIDES OVER THE BOTTOM
MAST AND LOCKS DOWN
WITH SET SCREWS



BOTTOM MAST
2.88"OD(S40) PIPE

PROPRIETARY AND CONFIDENTIAL
THE INFORMATION CONTAINED IN THIS DRAWING IS THE SOLE PROPERTY OF BAIRD SUPPORTING SYSTEMS. ANY REPRODUCTION IN PART OR AS A WHOLE WITHOUT THE WRITTEN PERMISSION OF BAIRD SUPPORTING SYSTEMS IS PROHIBITED.



WWW.BAIRD MOUNTS.COM

UNLESS OTHERWISE SPECIFIED:
DIMENSIONS ARE IN INCHES
TOLERANCES:
FRACTIONAL ±
ANGULAR: MACH ± BEND ±
TWO PLACE DECIMAL ±
THREE PLACE DECIMAL ±

DO NOT SCALE DRAWING

BAIRD MOUNTING SYSTEMS

WATERLOO, IA 50703
PHONE: 319-233-3561
SALES@BAIRD MOUNTS.COM

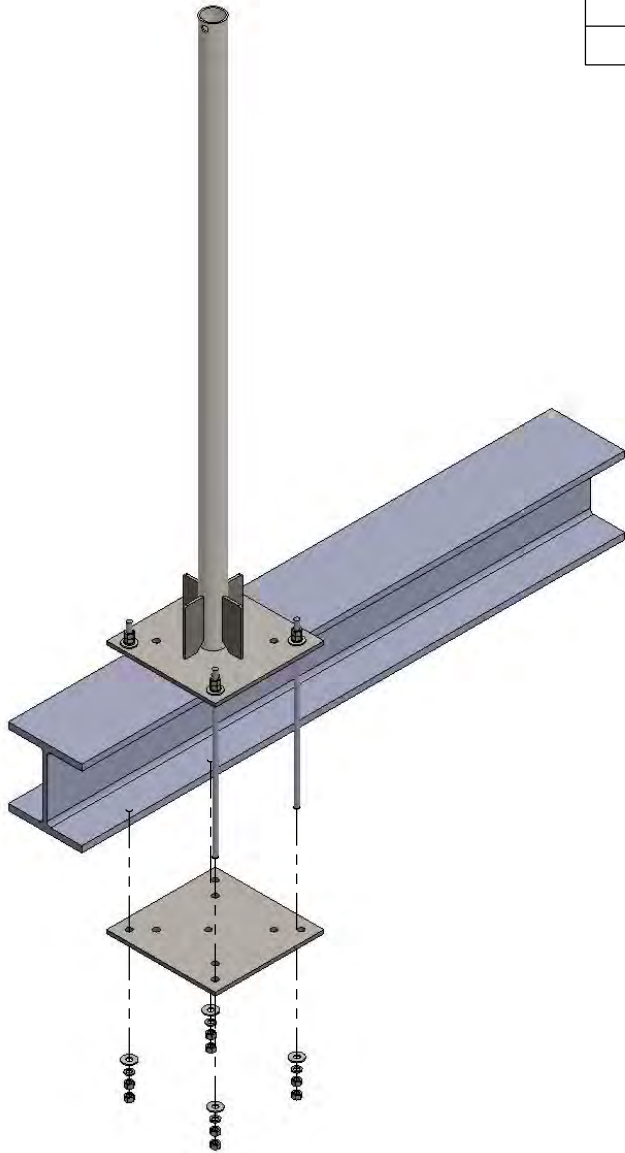
DESCRIPTION:
UNIVERSAL OIL RIG MOUNT

DRAWN BY JK	DATE 6/14/13	
MATERIAL STEEL	FINISH HDG	
DWG. PURPOSE CUSTOMER	SHEET 2OF2	SCALE 1:15

PART. NO.
SEE TABLE-SHEET 1

DWG. NO.
UORM-(000)X55

PART NO.	MAST DIAMETER	WEIGHT
UBM-237X5	2.37"OD [60.3mm]	58 lbs. [26.3kg]
UBM-288X5	2.88"OD [73mm]	70 lbs. [31.8kg]



PROPRIETARY AND CONFIDENTIAL
 THE INFORMATION CONTAINED IN THIS DRAWING IS THE SOLE PROPERTY OF BAIRD SUPPORTING SYSTEMS. ANY REPRODUCTION IN PART OR AS A WHOLE WITHOUT THE WRITTEN PERMISSION OF BAIRD SUPPORTING SYSTEMS IS PROHIBITED.



WWW.BAIRD MOUNTS.COM

UNLESS OTHERWISE SPECIFIED:
 DIMENSIONS ARE IN INCHES
 TOLERANCES:
 FRACTIONAL ±
 ANGULAR: MACH ± BEND ±
 TWO PLACE DECIMAL ±
 THREE PLACE DECIMAL ±

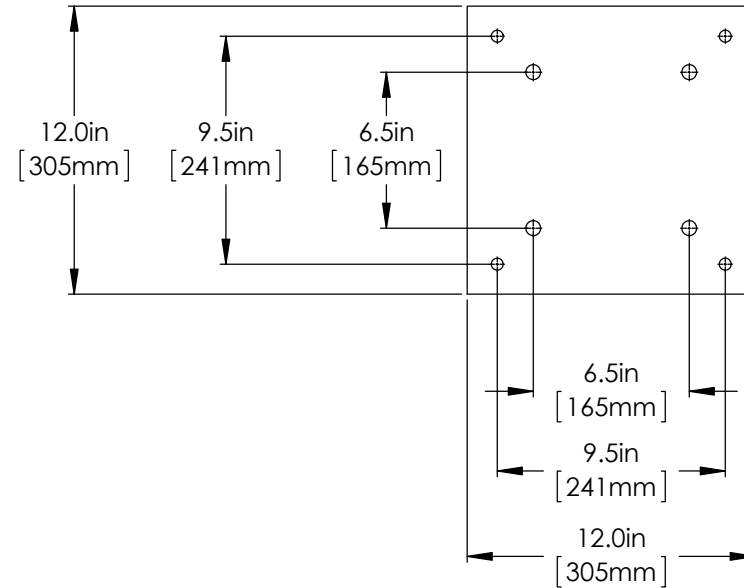
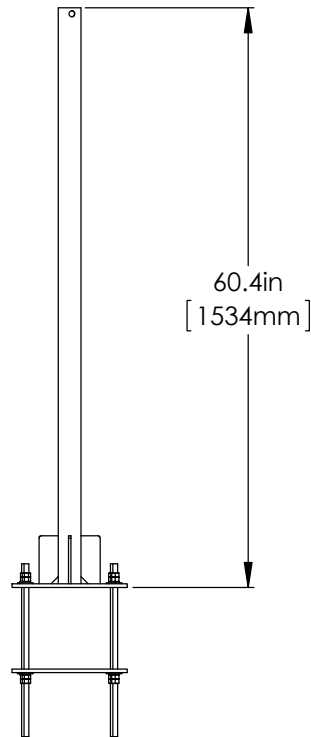
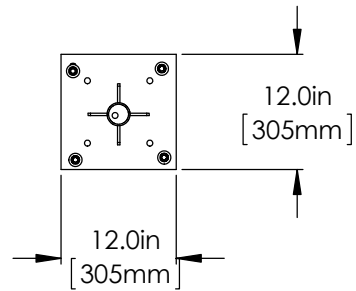
DO NOT SCALE DRAWING

BAIRD MOUNTING SYSTEMS

WATERLOO, IA 50703
 PHONE: 319-233-3561
 SALES@BAIRD MOUNTS.COM

DESCRIPTION:
 UNIVERSAL BEAM MOUNT-5' HEIGHT

DRAWN BY JK	DATE 06/20/13	
MATERIAL STEEL	FINISH HDG	
DWG. PURPOSE CUSTOMER	SHEET 1OF2	SCALE 1:15
PART. NO. SEE TABLE		
DWG. NO. UBM-(000)X5		



**PLATE DETAIL
(ENLARGED)**

PROPRIETARY AND CONFIDENTIAL
THE INFORMATION CONTAINED IN THIS DRAWING IS THE SOLE PROPERTY OF BAIRD SUPPORTING SYSTEMS. ANY REPRODUCTION IN PART OR AS A WHOLE WITHOUT THE WRITTEN PERMISSION OF BAIRD SUPPORTING SYSTEMS IS PROHIBITED.



WWW.BAIRD MOUNTS.COM

UNLESS OTHERWISE SPECIFIED:
DIMENSIONS ARE IN INCHES
TOLERANCES:
FRACTIONAL ±
ANGULAR: MACH ± BEND ±
TWO PLACE DECIMAL ±
THREE PLACE DECIMAL ±

DO NOT SCALE DRAWING

BAIRD MOUNTING SYSTEMS

WATERLOO, IA 50703
PHONE: 319-233-3561
SALES@BAIRDMOUNTS.COM

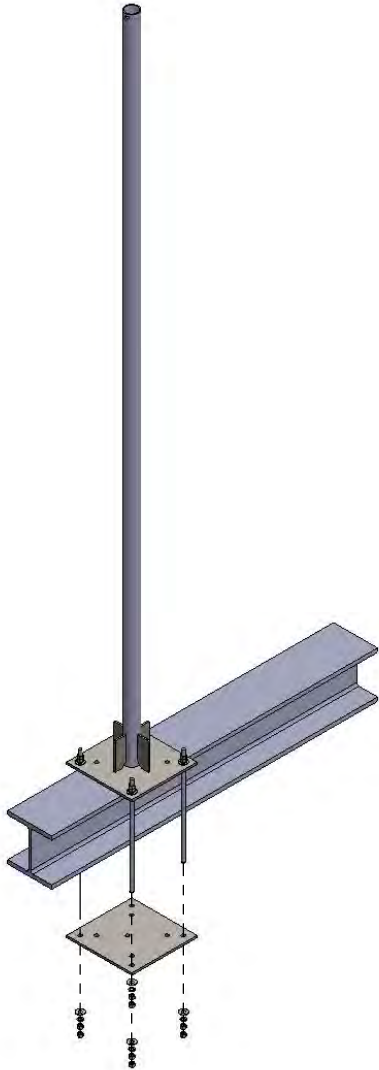
DESCRIPTION:
UNIVERSAL BEAM MOUNT-5' HEIGHT

DRAWN BY JK	DATE 06/20/13	
MATERIAL STEEL	FINISH HDG	
DWG. PURPOSE CUSTOMER	SHEET 2OF2	SCALE 1:20

PART. NO.
SEE TABLE-SHEET 1

DWG. NO.
UBM-(000)X5

PART NO.	MAST DIAMETER	WEIGHT
UBM-237X10	2.37"OD [60.3mm]	77 lbs. [34.9kg]
UBM-288X10	2.88"OD [73mm]	100 lbs. [45.5kg]



PROPRIETARY AND CONFIDENTIAL
 THE INFORMATION CONTAINED IN THIS DRAWING IS THE SOLE PROPERTY OF BAIRD SUPPORTING SYSTEMS. ANY REPRODUCTION IN PART OR AS A WHOLE WITHOUT THE WRITTEN PERMISSION OF BAIRD SUPPORTING SYSTEMS IS PROHIBITED.



WWW.BAIRD MOUNTS.COM

UNLESS OTHERWISE SPECIFIED:
 DIMENSIONS ARE IN INCHES
 TOLERANCES:
 FRACTIONAL ±
 ANGULAR: MACH ± BEND ±
 TWO PLACE DECIMAL ±
 THREE PLACE DECIMAL ±

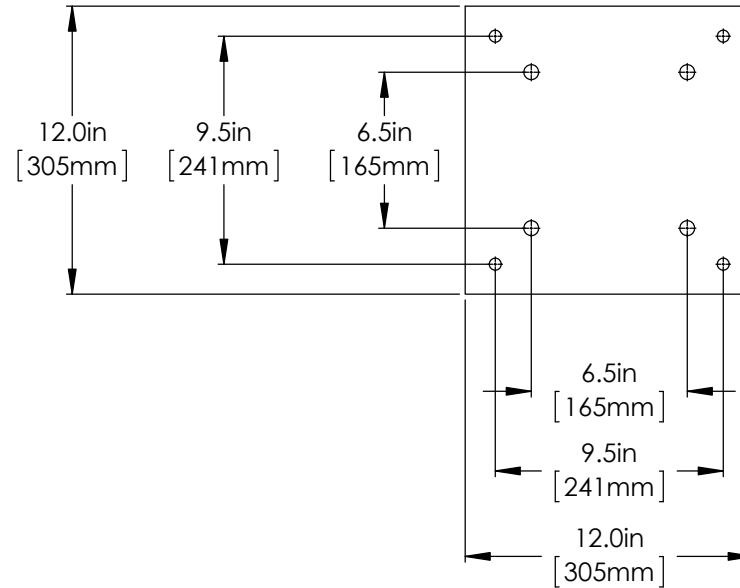
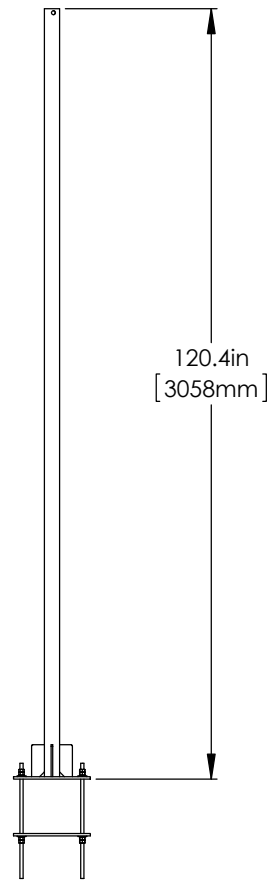
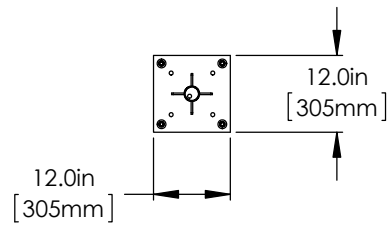
DO NOT SCALE DRAWING

BAIRD MOUNTING SYSTEMS

WATERLOO, IA 50703
 PHONE: 319-233-3561
 SALES@BAIRD MOUNTS.COM

DESCRIPTION:
 UNIVERSAL BEAM MOUNT-10' HEIGHT

DRAWN BY JK	DATE 06/20/13	
MATERIAL STEEL	FINISH HDG	
DWG. PURPOSE CUSTOMER	SHEET 1 OF 2	SCALE 1:25
PART. NO. SEE TABLE		
DWG. NO. UBM-(000)X10		



**PLATE DETAIL
(ENLARGED)**

PROPRIETARY AND CONFIDENTIAL
THE INFORMATION CONTAINED IN THIS DRAWING IS THE SOLE PROPERTY OF BAIRD SUPPORTING SYSTEMS. ANY REPRODUCTION IN PART OR AS A WHOLE WITHOUT THE WRITTEN PERMISSION OF BAIRD SUPPORTING SYSTEMS IS PROHIBITED.



WWW.BAIRD MOUNTS.COM

UNLESS OTHERWISE SPECIFIED:
DIMENSIONS ARE IN INCHES
TOLERANCES:
FRACTIONAL ±
ANGULAR: MACH ± BEND ±
TWO PLACE DECIMAL ±
THREE PLACE DECIMAL ±

DO NOT SCALE DRAWING

BAIRD MOUNTING SYSTEMS

WATERLOO, IA 50703
PHONE: 319-233-3561
SALES@BAIRDMOUNTS.COM

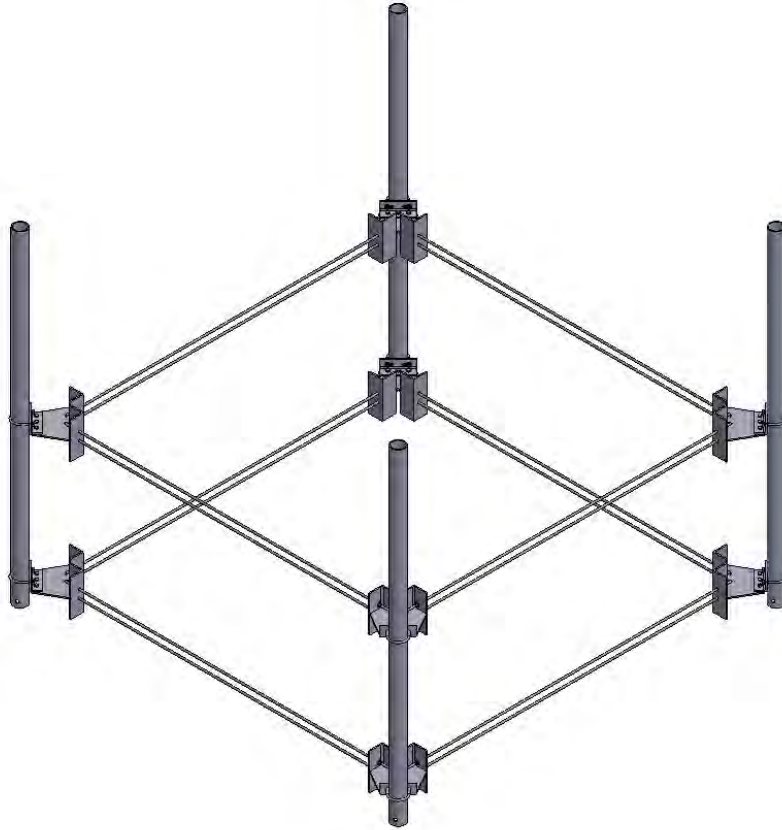
DESCRIPTION:
UNIVERSAL BEAM MOUNT-10' HEIGHT

DRAWN BY JK	DATE 06/20/13	
MATERIAL STEEL	FINISH HDG	
DWG. PURPOSE CUSTOMER	SHEET 20F2	SCALE 1:30

PART. NO.
SEE TABLE-SHEET 1

DWG. NO.
UBM-(000)X10

PART NO.	MAST DIAMETER	WEIGHT
UCM-6-190X6-4	1.9"OD [48.3mm]	208 lbs. [94.3kg]
UCM-6-237X6-4	2.37"OD [60.3mm]	223 lbs. [101.2kg]
UCM-6-288X6-4	2.88"OD [73mm]	277 lbs. [125.6kg]



PROPRIETARY AND CONFIDENTIAL
 THE INFORMATION CONTAINED IN THIS DRAWING IS THE SOLE PROPERTY OF BAIRD SUPPORTING SYSTEMS. ANY REPRODUCTION IN PART OR AS A WHOLE WITHOUT THE WRITTEN PERMISSION OF BAIRD SUPPORTING SYSTEMS IS PROHIBITED.



WWW.BAIRD MOUNTS.COM

UNLESS OTHERWISE SPECIFIED:
 DIMENSIONS ARE IN INCHES
 TOLERANCES:
 FRACTIONAL ±
 ANGULAR: MACH ± BEND ±
 TWO PLACE DECIMAL ±
 THREE PLACE DECIMAL ±

DO NOT SCALE DRAWING

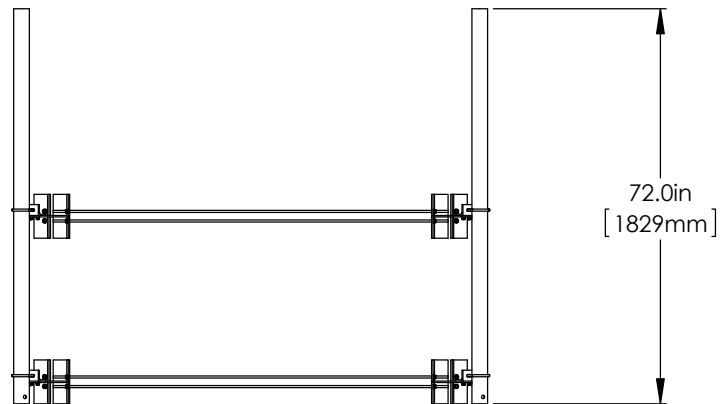
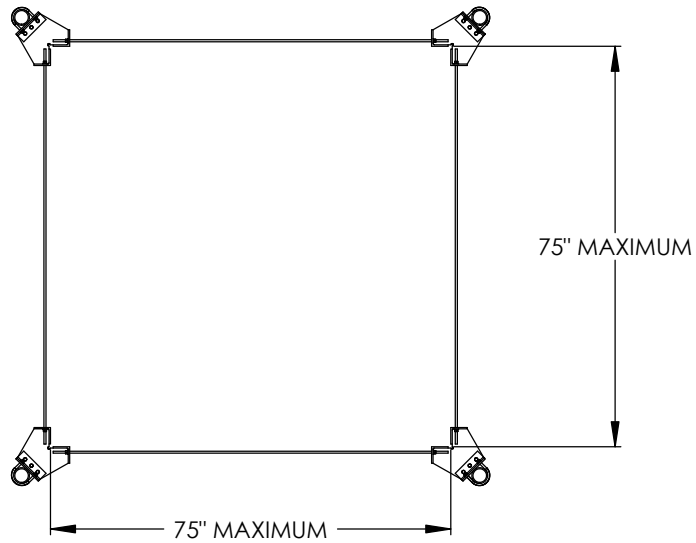
BAIRD MOUNTING SYSTEMS

WATERLOO, IA 50703
 PHONE: 319-233-3561
 SALES@BAIRD MOUNTS.COM

TITLE:
 UNIVERSAL CHIMNEY MOUNT-6
 6' CHIMNEY FACE- FOUR 6' MASTS

DRAWN BY JK	DATE 06/20/13
MATERIAL STEEL	FINISH HDG
DWG. PURPOSE CUSTOMER	SHEET 1OF2
	SCALE 1:30

PART. NO.
SEE TABLE
 DWG. NO.
 UCM-6-(000)X6-4



PROPRIETARY AND CONFIDENTIAL
 THE INFORMATION CONTAINED IN THIS DRAWING IS THE SOLE PROPERTY OF BAIRD SUPPORTING SYSTEMS. ANY REPRODUCTION IN PART OR AS A WHOLE WITHOUT THE WRITTEN PERMISSION OF BAIRD SUPPORTING SYSTEMS IS PROHIBITED.



WWW.BAIRD MOUNTS.COM

UNLESS OTHERWISE SPECIFIED:
 DIMENSIONS ARE IN INCHES
 TOLERANCES:
 FRACTIONAL ±
 ANGULAR: MACH ± BEND ±
 TWO PLACE DECIMAL ±
 THREE PLACE DECIMAL ±

DO NOT SCALE DRAWING

BAIRD MOUNTING SYSTEMS

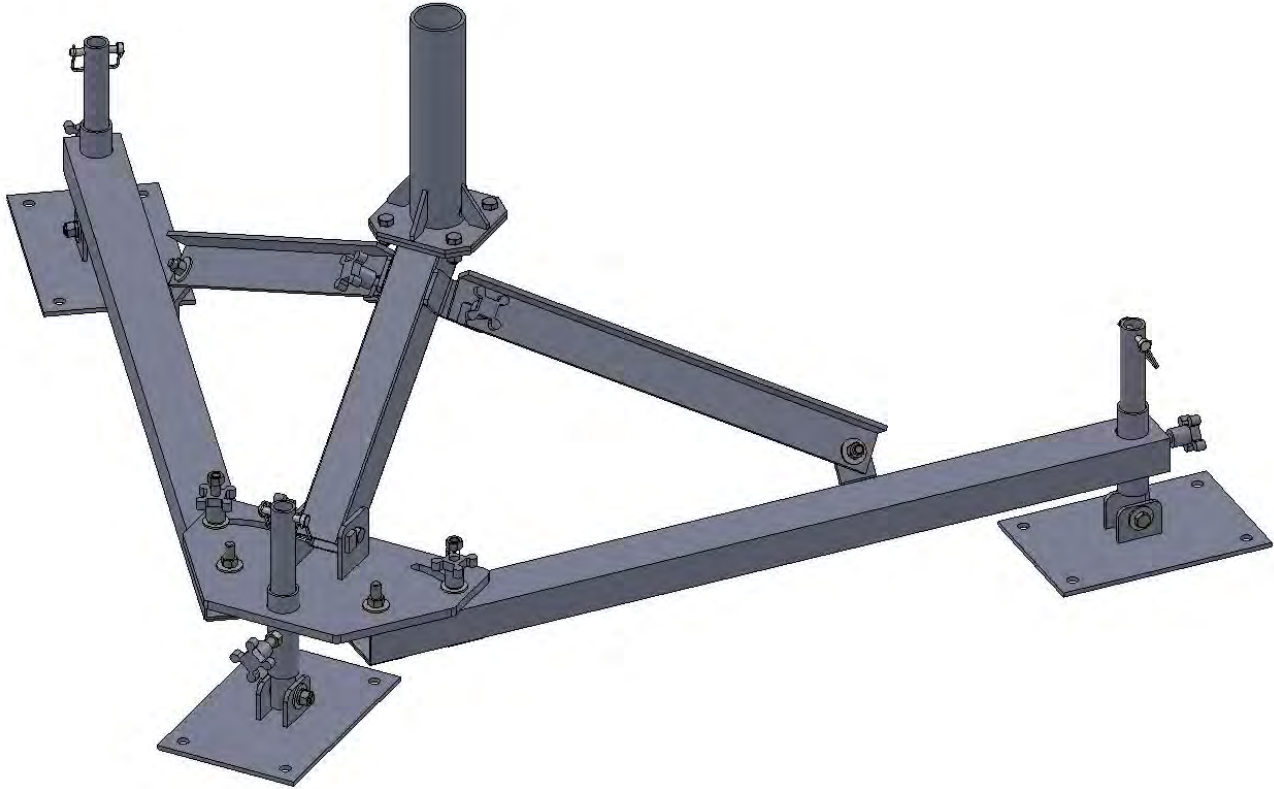
WATERLOO, IA 50703
 PHONE: 319-233-3561
 SALES@BAIRD MOUNTS.COM

TITLE:
 UNIVERSAL CHIMNEY MOUNT-6
 6' CHIMNEY FACE- FOUR 6' MASTS

DRAWN BY JK	DATE 06/20/13	
MATERIAL STEEL	FINISH HDG	
DWG. PURPOSE CUSTOMER	SHEET 2OF2	SCALE 1:35

PART. NO.
SEE TABLE
 DWG. NO.
 UCM-6-(000)X6-4

PART NO.	MAST DIAMETER	WEIGHT
BTD12-237X1	2.37"OD [60.3mm]	122 lbs. [55.3kg]
BTD12-288X1	2.88"OD [73mm]	124 lbs. [56.2kg]
BTD12-300X1	3"OD [76.2mm]	124 lbs. [56.2kg]
BTD12-350X1	3.5"OD [88.9mm]	126 lbs. [57.2kg]



PROPRIETARY AND CONFIDENTIAL
 THE INFORMATION CONTAINED IN THIS DRAWING IS THE SOLE PROPERTY OF BAIRD SUPPORTING SYSTEMS. ANY REPRODUCTION IN PART OR AS A WHOLE WITHOUT THE WRITTEN PERMISSION OF BAIRD SUPPORTING SYSTEMS IS PROHIBITED.



WWW.BAIRD MOUNTS.COM

UNLESS OTHERWISE SPECIFIED:
 DIMENSIONS ARE IN INCHES
 TOLERANCES:
 FRACTIONAL ±
 ANGULAR: MACH ± BEND ±
 TWO PLACE DECIMAL ±
 THREE PLACE DECIMAL ±

DO NOT SCALE DRAWING

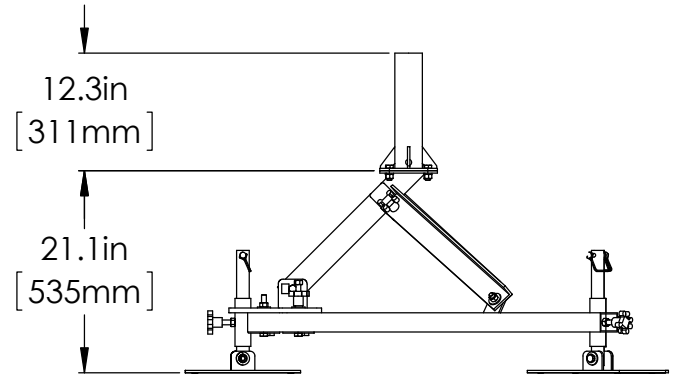
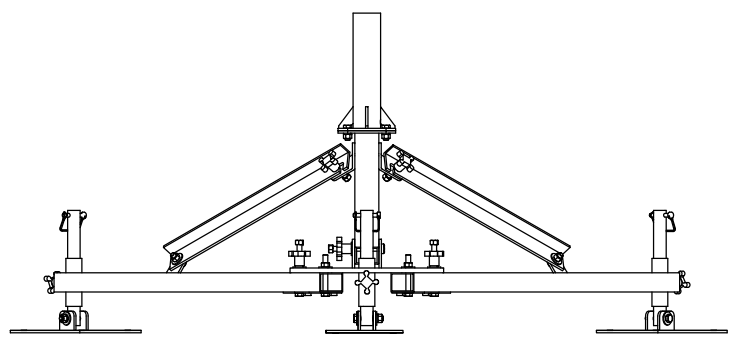
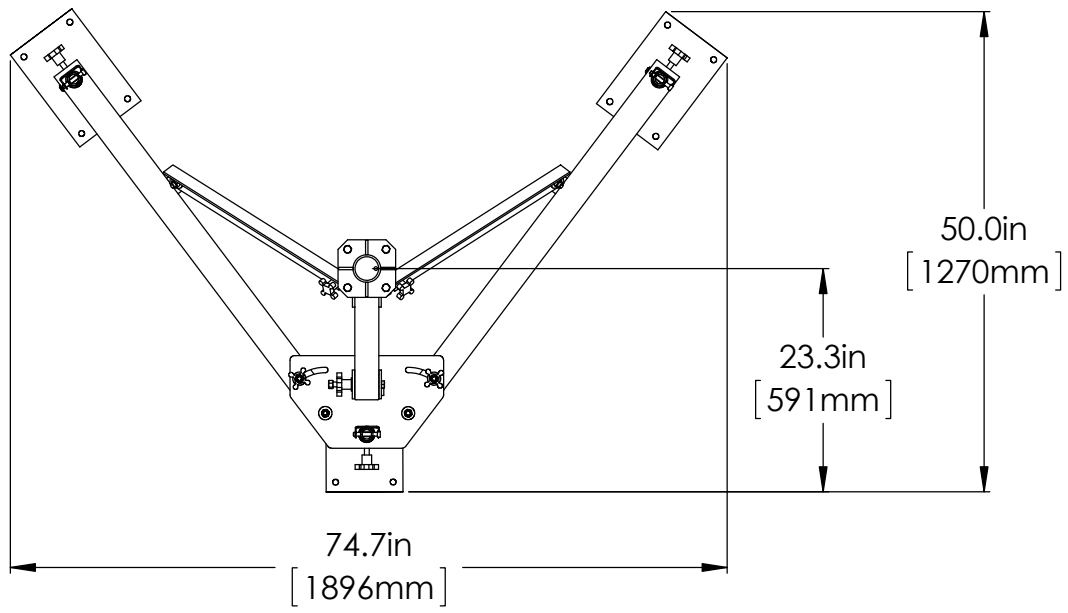
BAIRD MOUNTING SYSTEMS

WATERLOO, IA 50703
 PHONE: 319-233-3561
 SALES@BAIRD MOUNTS.COM

DESCRIPTION:
 BTD-12 TACTICAL DEPLOY MOUNT
 WITH 1' MAST

DRAWN BY JK	DATE 06/01/13
MATERIAL STEEL	FINISH HDG
DWG. PURPOSE CUSTOMER	SHEET 1OF2
	SCALE 1:10

PART. NO.
SEE TABLE
 DWG. NO.
 BTD12-(000)X1



PROPRIETARY AND CONFIDENTIAL
 THE INFORMATION CONTAINED IN THIS DRAWING IS THE SOLE PROPERTY OF BAIRD SUPPORTING SYSTEMS. ANY REPRODUCTION IN PART OR AS A WHOLE WITHOUT THE WRITTEN PERMISSION OF BAIRD SUPPORTING SYSTEMS IS PROHIBITED.

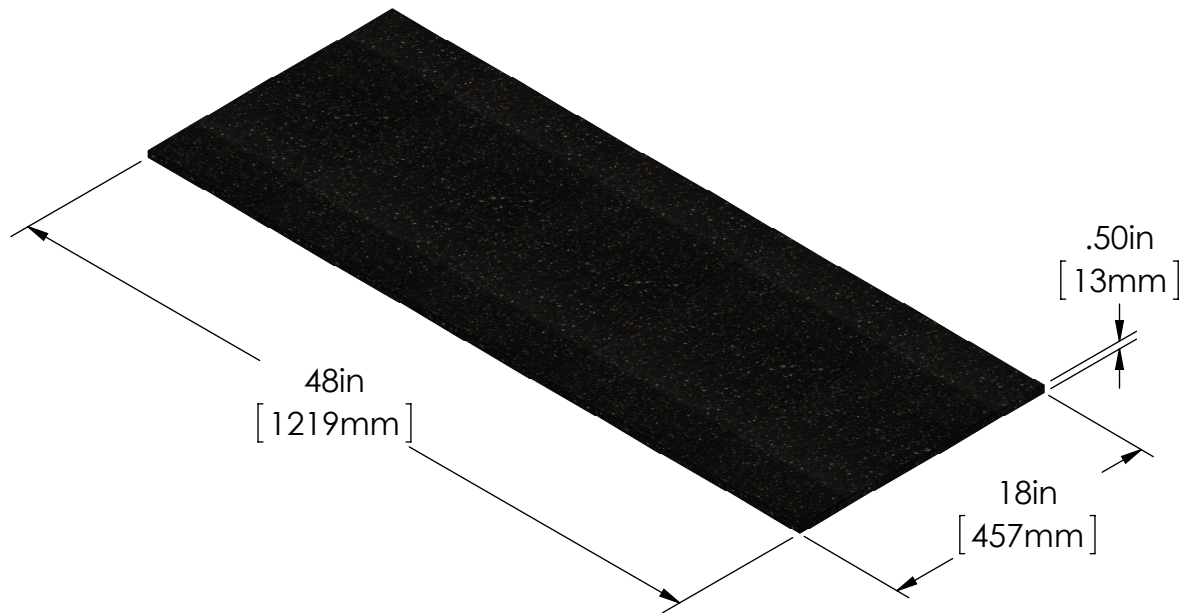


UNLESS OTHERWISE SPECIFIED:
 DIMENSIONS ARE IN INCHES
 TOLERANCES:
 FRACTIONAL ±
 ANGULAR: MACH ± BEND ±
 TWO PLACE DECIMAL ±
 THREE PLACE DECIMAL ±
 DO NOT SCALE DRAWING


BAIRD MOUNTING SYSTEMS
 WATERLOO, IA 50703
 PHONE: 319-233-3561
 SALES@BAIRDMOUNTS.COM

DESCRIPTION:
 BTD-12 TACTICAL DEPLOY MOUNT WITH 1' MAST

DRAWN BY JK	DATE 06/01/13	
MATERIAL STEEL	FINISH HDG	
DWG. PURPOSE CUSTOMER	SHEET 2OF2	SCALE 1:20
PART. NO. SEE TABLE-SHEET 1		
DWG. NO. BTD12-(000)X1		



WEIGHT: 15 LBS. (6.8kg)

<p>PROPRIETARY AND CONFIDENTIAL</p> <p>THE INFORMATION CONTAINED IN THIS DRAWING IS THE SOLE PROPERTY OF BAIRD SUPPORTING SYSTEMS. ANY REPRODUCTION IN PART OR AS A WHOLE WITHOUT THE WRITTEN PERMISSION OF BAIRD SUPPORTING SYSTEMS IS PROHIBITED.</p>	 <p>WWW.BAIRD MOUNTS.COM</p>	<p>UNLESS OTHERWISE SPECIFIED: DIMENSIONS ARE IN INCHES TOLERANCES: FRACTIONAL ± ANGULAR: MACH ± BEND ± TWO PLACE DECIMAL ± THREE PLACE DECIMAL ±</p>	<p>BAIRD MOUNTING SYSTEMS</p> <p>WATERLOO, IA 50703 PHONE: 319-233-3561 SALES@BAIRD MOUNTS.COM</p>		<p>DRAWN BY JK</p>	<p>DATE 06/20/13</p>
			<p>DESCRIPTION: RUBBER PAD .5x18x48</p>		<p>MATERIAL RUBBER</p>	<p>FINISH -</p>
					<p>PART. NO. RM-48-18-05</p>	
					<p>DWG. NO. RM-48-18-05</p>	