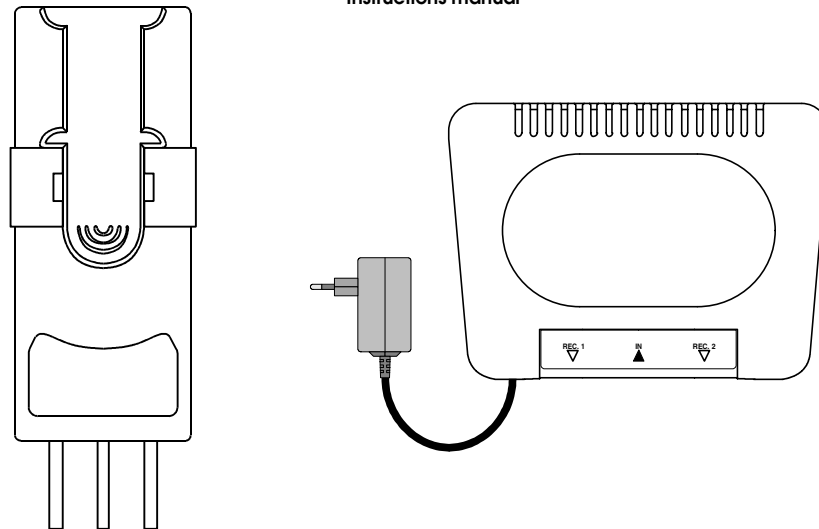


**Multi Band Converter**

Instructions manual

**Features**

- The Multi Band Converter allows to upgrade the installation with a TWIN (or quad) LNB to be connected with a dual tuner input digital receiver with recorder (PVR) on existing cable.
- DiSEqC™ function allows to receive signals from 2 satellites (e.g. Astra / Hot Bird).

**Technical Specifications****Converter**

- Inputs : 1 x 5 - 2150 MHz  
1 x 950 - 2150 MHz
- Output : 5 - 3550 MHz  
with "F" High Quality connector  
(rated to operate on the frequency range up to 3.6 GHz)
- Insertion loss / gain : Terrestrial : -1 dB / Satellite : -4 dB  
Converted Sat. : +7 dB
- Consumption : 85 mA max.
- Dimensions : 201 x 87 x 42 mm.

**Customer Device**

- Input : 5 - 3550 MHz  
with "F" High Quality connector  
(rated to operate on the frequency range up to 3.6 GHz)
- Outputs to receiver : 1 x 5 - 2150 MHz  
1 x 950 - 2150 MHz
- Insertion loss / Gain : Terrestrial : -1 dB / Satellite : -4 dB  
Converted Sat. : +5 dB
- Consumption : 60 mA max.
- Power adapter : 230-240 VAC / 50 Hz / 30 VA  
Output : 20 VDC / 1.0 A
- Dimensions : 127 x 92 x 41 mm.

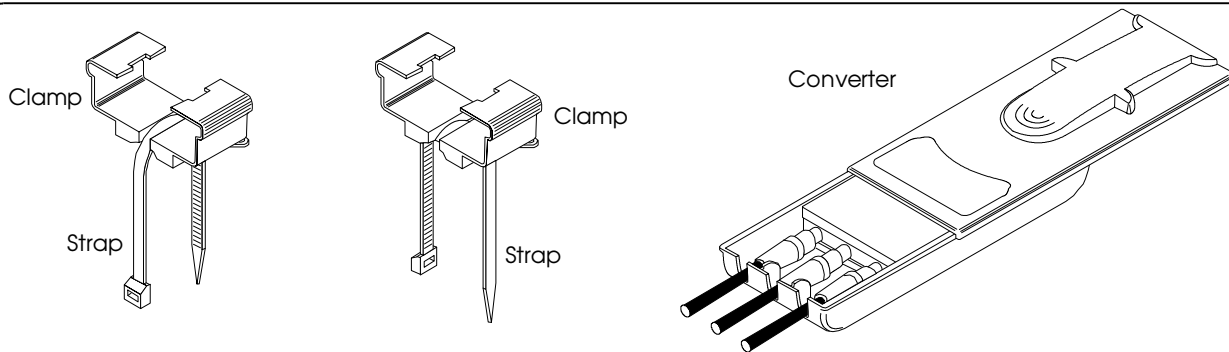
**General**

Operating system for CT100 cable, 19VA<sub>t</sub>C or 17VA<sub>t</sub>C cable up to 70 m.

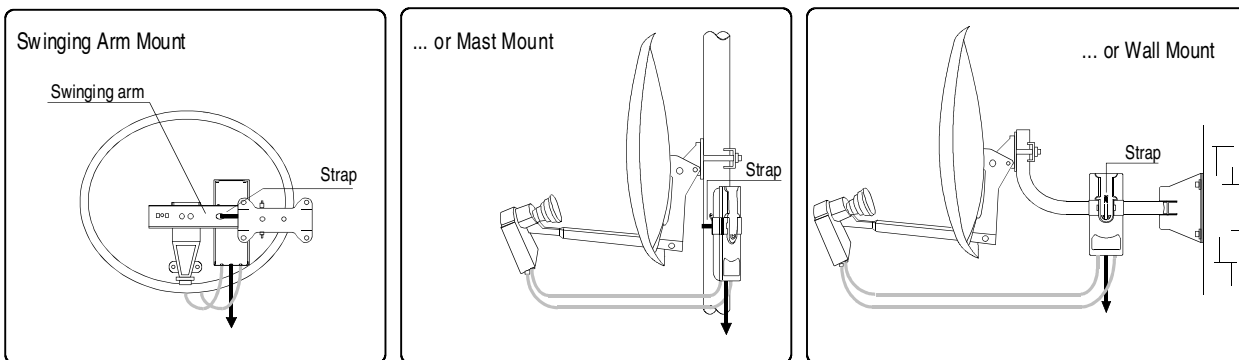
- 4 F / F coaxial cables are included for LNB and receiver connections.

**WARNING ! AVOID ANY SHORT CIRCUIT IN CONVERTER AND CUSTOMER DEVICE**

## Converter Mounting

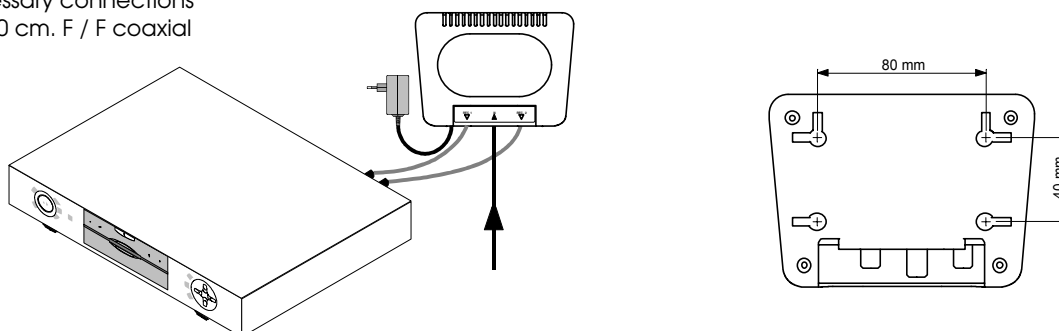


Make connections between LNB and Converter with supplied 90 cm. F / F coaxial cables.



## Customer Device Mounting

Make the necessary connections with supplied 40 cm. F / F coaxial cables.



### Safety Instructions

#### Read carefully these instructions before connecting the unit.

The operating voltage is indicated on the nameplate of the power adapter.

To prevent fire, short circuit, shock hazard: Do not expose the unit to rain or moisture. Install the unit in a dry location without infiltration or condensation of water. Do not expose it to dripping or splashing. Do not place objects filled with liquids, such as vases, on the apparatus. If any liquid should accidentally fall into the cabinet, disconnect the power plug. Refer to qualified technician before it's further operation.

To avoid any risk of overheating: Install the unit in a well aery location and keep a minimum distance of 10 cm around the apparatus for sufficient ventilation. Do not place any items such as newspapers, table-cloths, curtains ... on the unit that might cover the ventilation holes. The unit must not be exposed to any source of heat (sun, heater,...). Do not place any naked flame sources, such as lighted candles, on the apparatus. Do not install the product in a dusty place.

Pull out power plug to make the different connections of cables.

To avoid electrical shock, do not open the housing.

#### Cleaning :

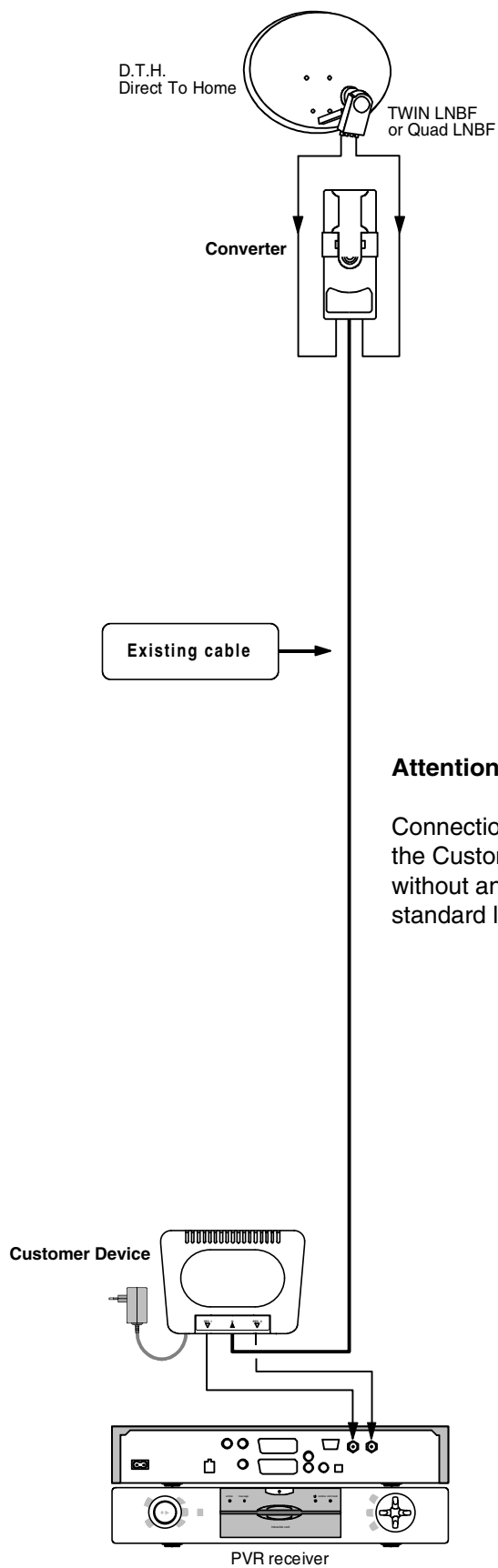
Only use a dry soft cloth to clean the cabinet.  
Do not use solvent.

#### Servicing :

For repairing and servicing refer to qualified personnel.

# Applications

## ONE SATELLITE

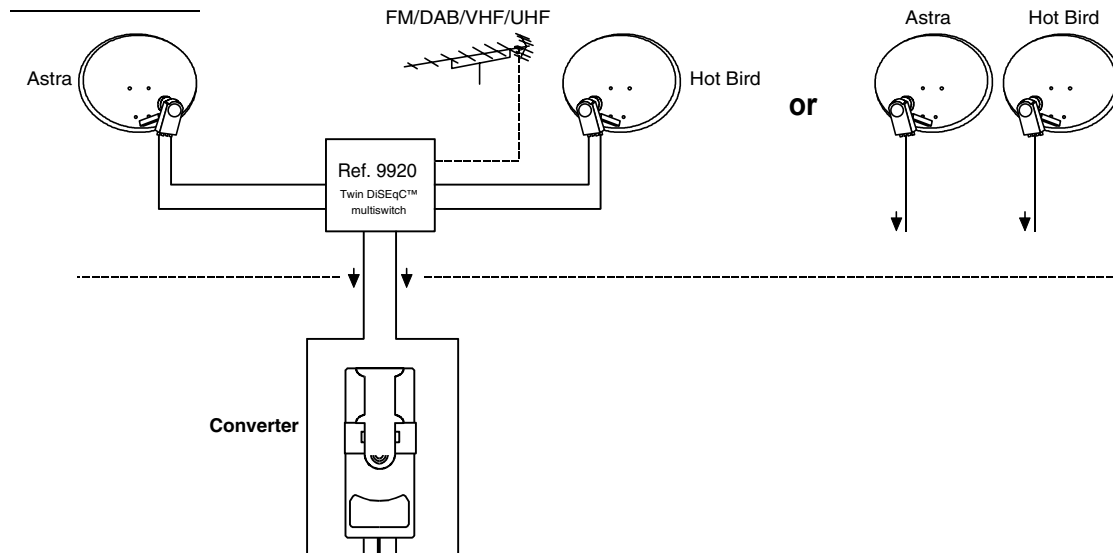


### **Attention :**

Connection between the Converter and the Customer Device is a direct link without any accessories such as splitters, standard line amplifiers ...

# Applications

## TWO SATELLITES



-----

Converter

Existing cable

### Attention :

Connection between the Converter and the Customer Device is a direct link without any accessories such as splitters, standard line amplifiers ...

