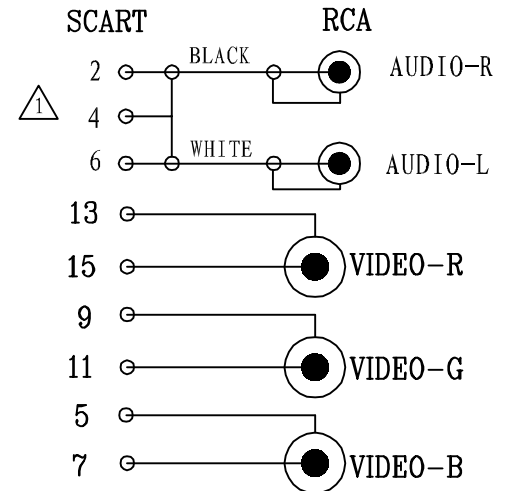
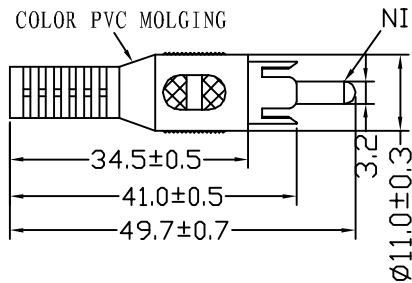


CLIENT NO:	351132
LENGTH	2.5M



CABLE SPEC:

[(10C*0.11BC+PE OD: 1.4mm+34C/0.11BC+PVC OD: 2.5mm) *3F (RD/GR/BL) +
 (10C/0.11BC+PVC OD: 1.0mm+28C/0.11BC+PVC OD: 2.5mm) *2F (BK/WH)]
 +TISSUE+PVC OD10.0mm (BK)

NOTE:

- UNLESS OTHERWISE SPECIFIED:
ALL DIMENSIONS ARE IN MILLIMETER
TOLERANCES ARE: ± 0.05
- THE LENGTH ACCORDING TO CLIENT

				DESCRIPTION	FINISHED PRODUCT'S FIGURE	SCALE	FIT	UNITS: MM	3RD ANGLE
				MODEL NO.	C5428/PC LIVE	△			
APPROVED	CHECKED	DRAWING	DESIGNED	DRAWING NO.	DJ00300263	△	2006/01/16	A2	
		T.S.L	T.S.L	FINISHING		△	2005/11/21	A1	
				MATERIAL		SYM	DATE	REVISION	