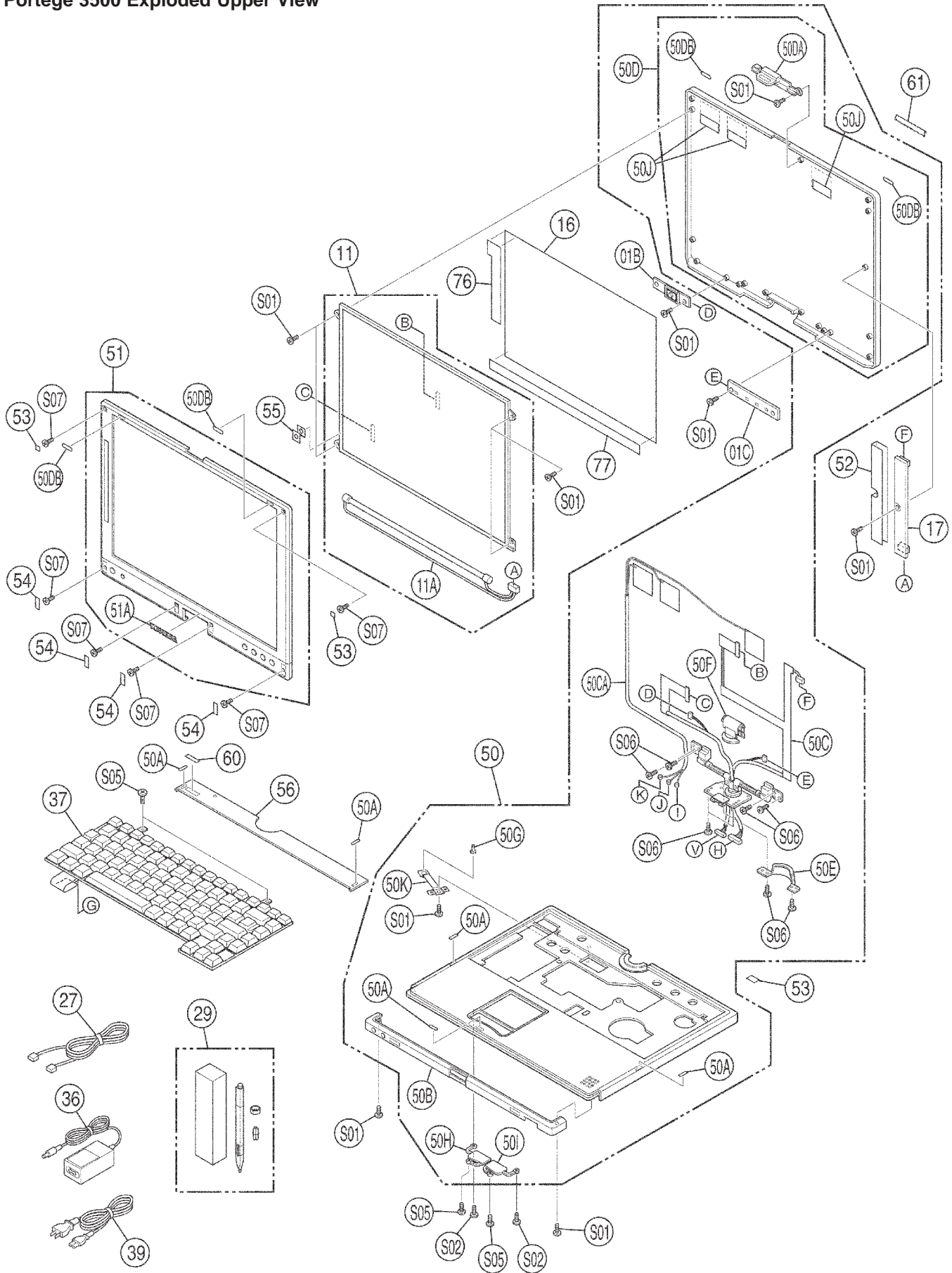
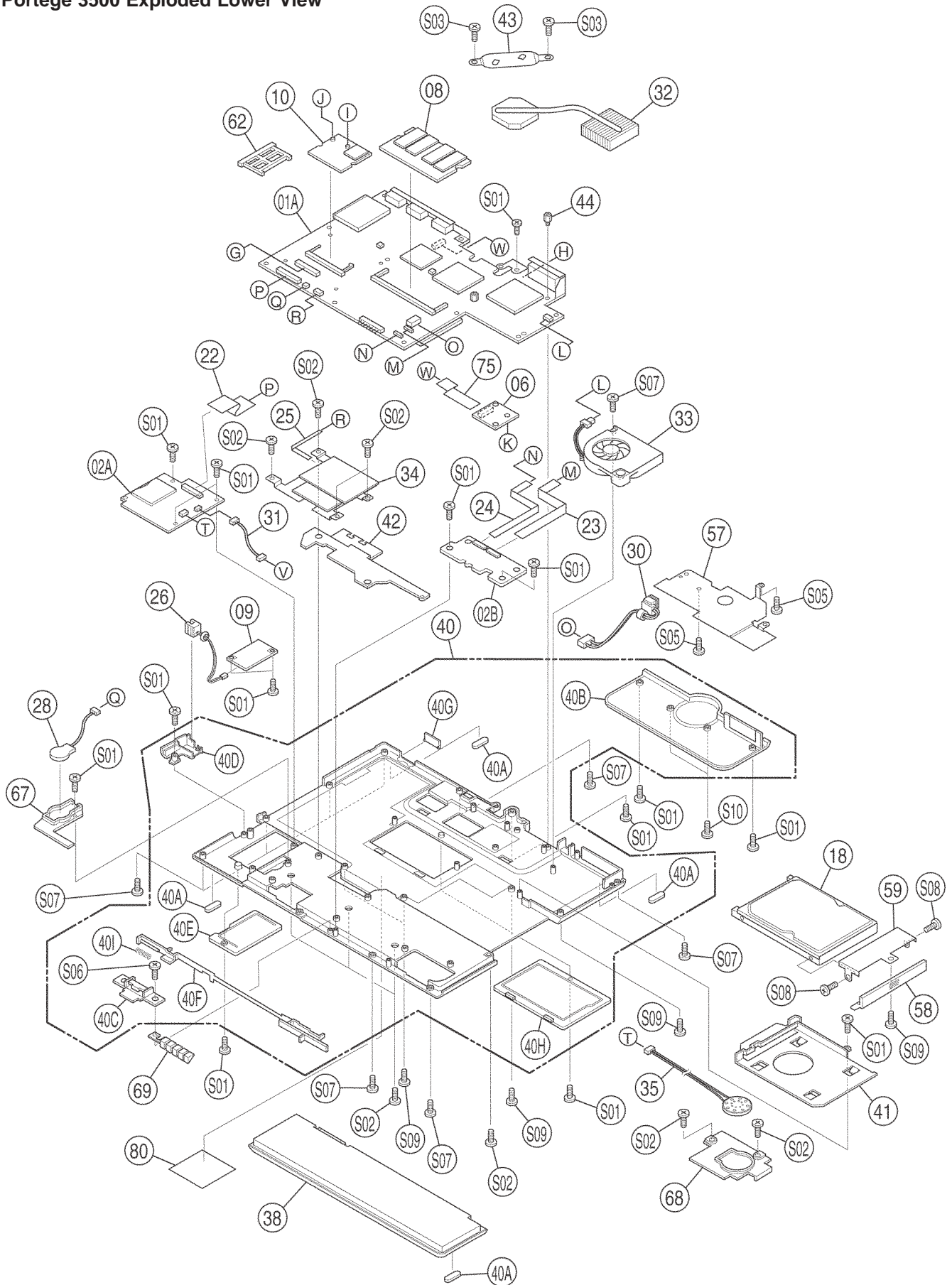


# Portégé 3500 Exploded Upper View



# Portégé 3500 Exploded Lower View



## Portégé 3500 Part Numbers

Ref. #	Code Part #	Description	PIR	Comments
	C89G PP350U-002YXE	3505/40 (002YXE)		P3505/40, WXP Pro TE, 1.33GHz PIII, 2-256MB, PC Card DVD, 12" TFT XGA, Modem/LAN, Agere Wireless LAN, (Tablet PC)
	C89G PP350U-002YXEB	3505/40 (002YXEB) B-STK		P3505/40, WXP Pro TE, 1.33GHz PIII, 2-256MB, PC Card DVD, 12" TFT XGA, Modem/LAN, Agere Wireless LAN, (Tablet PC), Remf
	C89H PP350U-002GF4	3500/40 (002GF4)		P3500/40, WXP Pro TE, 1.33GHz PIII, 256MB, No ODD, 12" TFT XGA, Modem/LAN, Agere Wireless LAN, (Tablet PC)
	C89H PP350U-002GF450	3500/40 (002GF450)		P3500/40, WXP Pro TE, 1.33GHz PIII, 256MB, No ODD, 12" TFT XGA, Modem/LAN, Agere Wireless LAN, (MS)
	C89H PP350U-002GF4B	3500/40 (002GF4B) B-STK		P3500/40, WXP Pro TE, 1.33GHz PIII, 256MB, No ODD, 12" TFT XGA, Modem/LAN, Agere Wireless LAN, (Tablet PC), Remf
	C89I PP350U-002LX4	3500/40 (002LX4)		P3500/40, WXP Pro TE, 1.33GHz PIII, 512MB, No ODD, 12" TFT XGA, Modem/LAN, Agere Wireless LAN, (Tablet PC)
	C89I PP350U-002LX450	3500/40 (002LX450)		P3500/40, WXP Pro TE, 1.33GHz PIII, 512MB, No ODD, 12" TFT XGA, Modem/LAN, Agere Wireless LAN, (MS)
	C89I PP350U-002LX4B	3500/40 (002LX4B) B-STK		P3500/40, WXP Pro TE, 1.33GHz PIII, 512MB, No ODD, 12" TFT XGA, Modem/LAN, Agere Wireless LAN, (Tablet PC), Remf
	C89I PP350U-0042X4	3500/40 (0042X4)		P3500/40, WXP Pro TE, 1.33GHz PIII, 2-512MB, No ODD, 12" TFT XGA, Modem/LAN, Agere Wireless LAN, (Tablet PC)
	C89I PP350U-0042X450	3500/40 (0042X450)		P3500/40, WXP Pro TE, 1.33GHz PIII, 2-512MB, No ODD, 12" TFT XGA, Modem/LAN, Agere Wireless LAN, (MS)
	C89I PP350U-0042X451	3500/40 (0042X451)		P3500/40, WXP Pro TE, 1.33GHz PIII, 2-512MB, No ODD, 12" TFT XGA, Modem/LAN, Agere Wireless LAN, (MS)
	C89I PP350U-0042X4B	3500/40 (0042X4B) B-STK		P3500/40, WXP Pro TE, 1.33GHz PIII, 2-512MB, No ODD, 12" TFT XGA, Modem/LAN, Agere Wireless LAN, (Tablet PC), Remf
	C89J PP350U-002NM4	3500/60 (002NM4)		P3500/60, WXP Pro TE, 1.33GHz PIII, 512MB, No ODD, 12" TFT XGA, Modem/LAN, Agere Wireless LAN, Bluetooth
	C89J PP350U-002NM4B	3500/60 (002NM4B) B-STK		P3500/60, WXP Pro TE, 1.33GHz PIII, 512MB, No ODD, 12" TFT XGA, Modem/LAN, Agere Wireless LAN, Bluetooth, Remf
	C89K PP350U-002Z34	3500/40 (002Z34)		
OP01	C89H KTT-SO133/128	MEM MODULE, 128MB		Kingston 128MB PC133 SDRAM Memory Module
OP01-A	C89H KTT-SO133/256	MEM MODULE, 256MB		Kingston 256MB PC133 SDRAM Memory Module
OP01-B	C89H KTT-SO133/512	MEM MODULE, 512MB		Kingston 512MB PC133 SDRAM Memory Module
OP02	C89H PA3241U-1ACA	UNIV AC ADAPTER		Input: 100V-240VAC, 1.1A-0.6A, 50-60Hz; Output: 15VDC 3A, (U, C, L, Q)
OP02A	C89H P000363960	AC ADAPTER		Input: 100V-240VAC, 1.1A-0.6A, 50-60Hz; Output: 15VDC 3A
OP02B	C89H P000327770	AC CORD SET		(U, C, Z)
OP03	C89H PA3228U-1BRS	BATTERY PACK		Lithium Ion, 10.8V, 3600mAh, with Recycle Label (U, E)
OP03A	C89H P000363980	BATTERY PACK		Lithium Ion, 10.8V, 3600mAh, with Recycle Label (U, E)
OP04	C89H PA3189U-2MPC	WIRELESS LAN CARD KIT		
OP04A	C89H P000339520	WIRELESS LAN CARD		Agere Systems MPC13A-20/R, ZA2314P04
OP04B	C89H P000344300	W-L TELEC LABEL		
OP04C	C89H P000320520	CARD LABEL		
OP05	C89H PA3236U-1MPC	WIRELESS LAN CARD KIT		
OP06	C89H PA3235U-1BTM	BLUETOOTH MODULE KIT	(U, E, C, A, L)	
OP06A	C89H P000363810	BLUETOOTH MODULE		
OP06B	C89H P000365230	0.5 PITCH FFC		
OP06C	C89H P000207950	GRIP SCREW, M2X4		
OP06D	C89H P000364200	W-LAN BLUETOOTH LABEL		
OP06E	C89H P000320520	CARD LABEL		
OP07	C89H PA3242U-1ETC	TOSHIBA TABLET PEN		
OP07A	C89H P000363890	STYLUS PEN		
S01	C89H P000318000	TG SCREW, M2.5X4BN		Black, Flat-Head (low profile) screw
S02	C89H P000364220	TG SCREW, M2.5X3BN		
S03	C89H P000207950	GRIP SCREW, M2X4		
S04	C89H (RESERVED)			
S05	C89H P000315550	TG SCREW, M2.5X2.8B		
S06	C89H P000341210	SCREW, M2.5X6BN		
S07	C89H P000317990	TG SCREW, M2.5X6BN		
S08	C89H P000339380	THIN SCREW, M3X4Z		Silver, Flat-Head (low profile) screw
S09	C89H P000283250	GRIP SCREW, M2.5X8BN		
S10	C89H P000328910	GRIP SCREW, M2.5X14BN		
1A	C89H P000363730	PCB ASSY, FNBSY2		System Board with CPU, A5A000406010
1B	C89H P000363740	PCB ASSY, FNBPW2		Power Switch Board, A5A000407010
1C	C89H P000363780	PCB ASSY, FNBBN2		Application Switch Board, A5A000408010
2A	C89H P000363790	PCB ASSY, FNBS2		Connector (Sound) Board, A5A000409010
2B	C89H P000363800	PCB ASSY, FNBLE2		LED Board, A5A000410010
3-5	C89H (RESERVED)			
6	C89J P000363810	BLUETOOTH MODULE		G86C0000A310
7	C89H (RESERVED)			
8	C89H P000328480	256MB SO DIMM		Approved makes = Toshiba; SME - Samsung, ELP - Elpida; HYS - Hyundai
8-A	C89I P000331680	512MB SO DIMM		Approved makes = Toshiba; SME - Samsung, ELP - Elpida
9	C89H P000322090	MDC MODEM		Modem Daughter Card, Askey Computer 1456VQL4 (INT), ZA2300P06
10	C89H P000339520	WIRELESS LAN CARD		Agere Systems MPC13A-20/R, ZA2314P04
11	C89H P000363820	COLOR LCD MODULE		Toshiba LTM12C32BT, 12.1" XGA TFT, VF2095P03"
11A	C89H P000365220	FL TUBE SET		
12-15	C89H (RESERVED)			
16	C89H P000363830	DIGITIZER		G83C0001C210
17	C89H P000363840	FL INVERTER		UA2040P03
18	C89H P000343210	HDD UNIT (40GB)		Toshiba MK4019GAX, 5400rpm, HDD2171B
18-1	C89H P000348760	HDD UNIT (40GB)	CEH	Hitachi DK23EB-40, 5400rpm, G8BC00009110
18-2	C89H P000349930	HDD UNIT (40GB)	CEH	IBM P/N: 07N9482, 5400rpm, G8BC0000A110
18-A	C89J P000352060	HDD UNIT (60GB)		Toshiba, 5400rpm, HDD2184B
19	C89G NWDVD04	TARGUS DVD		Does not ship with all models
20-21	C89H (RESERVED)			
22	C89H P000363850	0.5 PITCH FFC		50-pin Flat Cable from Connector Board to System Board
23	C89H P000363860	0.5 PITCH FFC		20-pin Flat Cable from LED Board to System Board

## Portégé 3500 Part Numbers, (cont.)

Ref. #	Code Part #	Description	PIR	Comments
24	C89H P000363870	0.5 PITCH FFC		14-pin Flat Cable from LED Board to System Board
25	C89H P000363880	0.5 PITCH FFC		8-pin Flat Cable from Touch Pad to System Board
26	C89H P000347460	RJ11 HARNESS		Modem Connector
27	C89H P000220300	MODULAR CABLE		Modem Cable
28	C89H P000331520	RTC BATTERY		Lithium Ion 2.4V, 15mAh, GDM710000003
29	C89H P000363890	STYLUS PEN		
30	C89H P000363900	DC JACK HARNESS		DC-In Jack
31	C89H P000363910	EXTENTION HARNESS		Microphone Relay Cable
32	C89H P000363920	FIN		Heatsink Fin, apply silicon grease before installing Fin assembly
33	C89H P000363930	FAN		
34	C89H P000363940	TOUCH PAD		
35	C89H P000363950	SPEAKER		
36	C89H PA3241U-1ACA	UNIV AC ADAPTER		Input:100V-240VAC, 1.1A-0.6A, 50-60Hz; Output:15VDC 3A, (U,C,L,Q)
36-1	C89H P000363960	AC ADAPTER	CEE	Input:100V-240VAC, 1.1A-0.6A, 50-60Hz; Output:15VDC 3A
37	C89H P000364900	KEYBOARD		Hosiden TWK4248-011021, G83C00018610, (U,C,A,L,Z)
38	C89H PA3228U-1BRS	BATTERY PACK		Lithium Ion, 10.8V, 3600mAh, with Recycle Label (U,E)
38-1	C89H P000363980	BATTERY PACK	CEE	Lithium Ion, 10.8V, 3600mAh, with Recycle Label (U,E)
39	C89H P000327770	AC CORD SET		(U, C, Z)
40	C89H P000363990	BASE ASSY		
40A	C89H P000347980	BOTTOM CUSHION		
40B	C89H P000364240	BOTTOM COVER ASSY		
40C	C89H P000364250	BASE LATCH ASSY		
40D	C89H P000364260	WLAN SWITCH ASSY		Modem Conector Holder
40E	C89H P000364270	MDC COVER		
40F	C89H P000364280	BATTERY LATCH ASSY		
40G	C89H P000364290	RJ45 COVER ASSY		
40H	C89H P000364300	MEMORY COVER		
40I	C89H P000364310	COIL SPRING		
41	C89H P000364000	HDD GUIDE		
42	C89H P000365320	BATTERY CONN COVER		Battery Connector Holder
43	C89H P000364020	CPU HEATSINK SPRING		
44	C89H P000364230	COVER STUD		Hex Stand-off
45-49	C89H (RESERVED)			
50	C89H P000364030	COVER ASSY		
50A	C89H P000364320	LCD CUSHION 150		
50B	C89H P000364330	FRONT COVER ASSY		
50C	C89H P000364340	HINGE ASSY		
50CA	C89H P000364350	ANTENNA		Wireless LAN & Bluetooth Antenna Cable
50D	C89H P000364360	LCD COVER ASSY		
50DA	C89H P000364370	LCD LATCH ASSY		
50DB	C89H P000364380	LCD CUSHION		
50E	C89H P000364390	HINGE REAR ASSY		Rear Hinge Cover
50F	C89H P000364400	HINGE COVER		Top Hinge Cover
50G	C89H P000364410	SENSOR STICK		
50H	C89H P000364420	PAD BUTTON, LEFT		Left Touch Pad Button
50I	C89H P000364430	PAD BUTTON, RIGHT		Right, Touch Pad Button
50J	C89H P000365190	ANTENNA CUSHION		
50K	C89H (NOT AVAILABLE)			
51	C89H P000364040	LCD MASK ASSY		
51A	C89H P000322780	TOSHIBA BADGE		For Display Mask
52	C89H P000364050	SHIELD INVERTER ASSY		
53	C89H P000328770	LCD MASK SEAL		
54	C89H P000364060	SCREW SEAL		
55	C89H P000365140	MIC EARTH PLATE		
56	C89H P000364130	KEYBOARD HOLDER ASSY		
57	C89H P000364140	BOTTOM COVER PLATE		
58	C89H P000364150	HDD COVER		
59	C89H P000364160	HDD HOLDER ASSY		
60	C89H P000364170	PRODUCT BADGE		
61	C89H P000364180	TOSHIBA BADGE		
62	C89H P000364190	CF DUMMY CARD		
63-66	C89H (RESERVED)			
67	C89H (NOT AVAILABLE)			
68	C89H (NOT AVAILABLE)			
69	C89H (NOT AVAILABLE)			
70	C89H (RESERVED)			
71	C89H P000316910	CHINA LABEL		
72	C89H P000319730	LITHUANIA LABEL		
73	C89H P000364200	W-LAN BLUETOOTH LABEL		
74	C89H P000320520	CARD LABEL		

## Portégé 3500 Part Numbers, (cont.)

Ref. #	Code Part #	Description	PIR	Comments
75	C89H P000364210	0.5 PITCH FFC		15-pin Flat Cable from Bluetooth Card to System Board
76	C89H P000365330	TAPE		
77	C89H P000365340	TAPE		
78-79	C89H (RESERVED)			