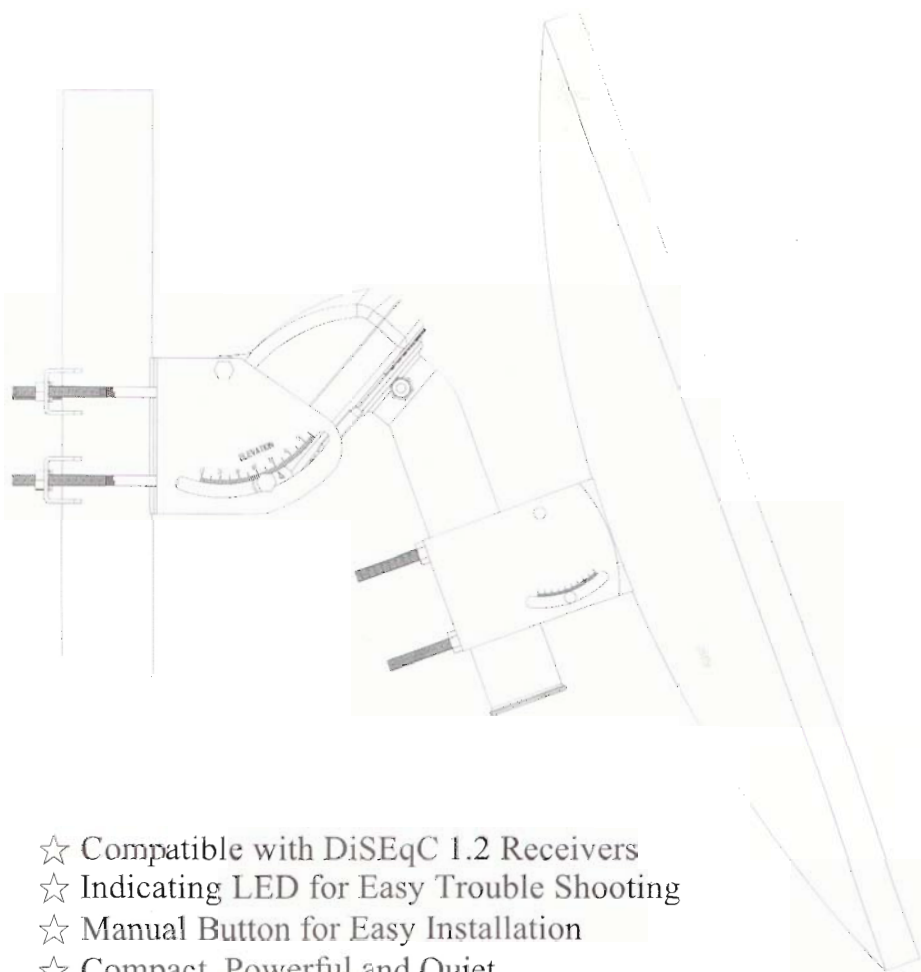


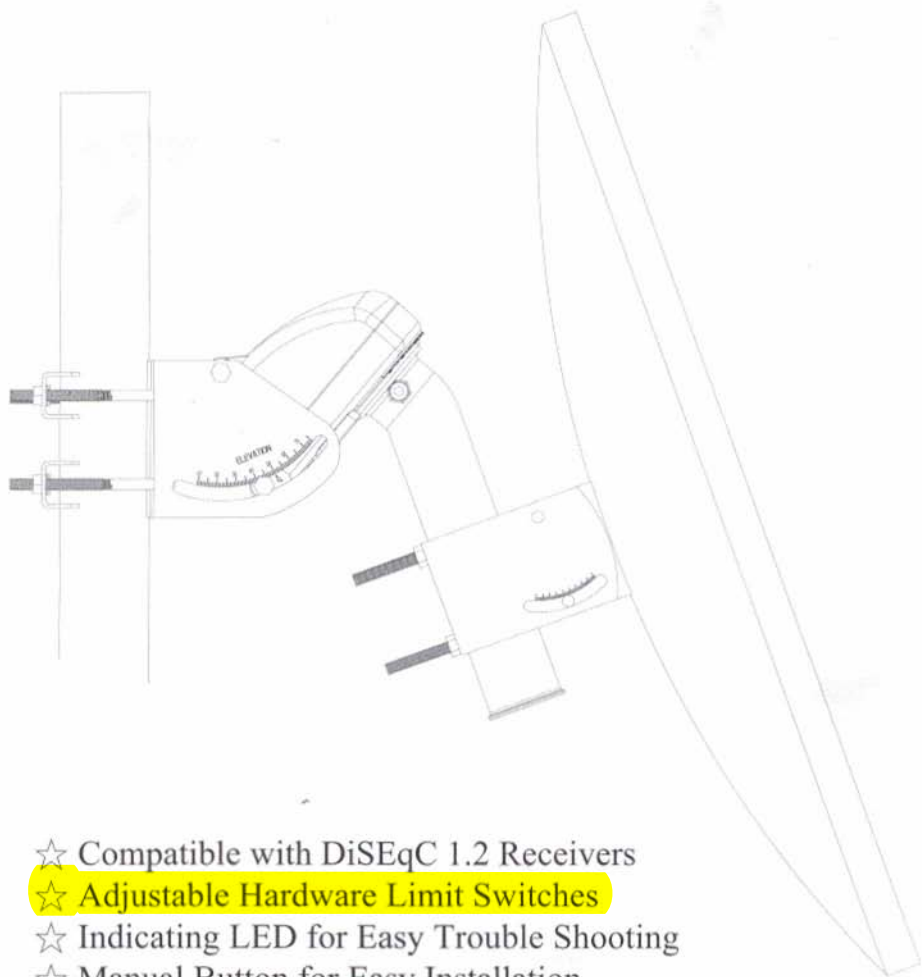
## DiSEqC 1.2 Motorized H-H Motor



- ☆ Compatible with DiSEqC 1.2 Receivers
- ☆ Indicating LED for Easy Trouble Shooting
- ☆ Manual Button for Easy Installation
- ☆ Compact, Powerful and Quiet
- ☆ For Dish up to 1.2 M
- ☆ Goto X Function



## DiSEqC 1.2 Motorized H-H Motor



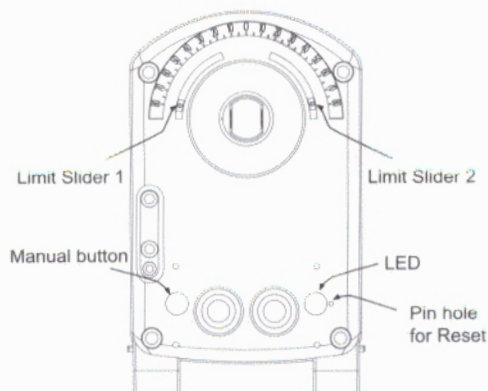
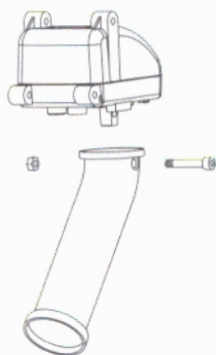
- ☆ Compatible with DiSEqC 1.2 Receivers
- ☆ **Adjustable Hardware Limit Switches**
- ☆ Indicating LED for Easy Trouble Shooting
- ☆ Manual Button for Easy Installation
- ☆ Compact, Powerful and Quiet
- ☆ For Dish up to 1.2 M
- ☆ Goto X Function



## ☆ ADJUST THE HARDWARE LIMITS if necessary

The factory preset hardware limits are from 70°East to 70°West. If smaller azimuth range is required, adjust the hardware limits as the following:

1. Always drive the motor to 0 position before adjust the hardware limits.
2. Disassemble the Mounting Tube.
3. Loose the screw on the Limit Slider. Please don't loose the screw thoroughly; otherwise, the Slider might drop into the motor.
4. Adjust the Limit Slider to the wanted angle (20~70°for East or West) .
5. Tighten the screws again.
6. Assemble the Mounting Tube onto the motor. Drive the motor East and West via the Manual Button or receiver to make sure the new hardware limits are well set.



|          | Northern Hemisphere | Southern Hemisphere |
|----------|---------------------|---------------------|
| Slider 1 | West                | East                |
| Slider 2 | East                | West                |

## ☆ ASSEMBLE THE MOTOR

Assemble the H-H Motor as the following diagram.

