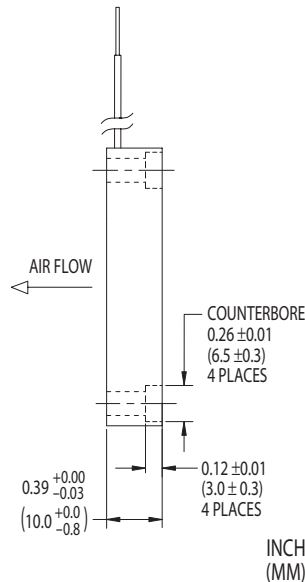
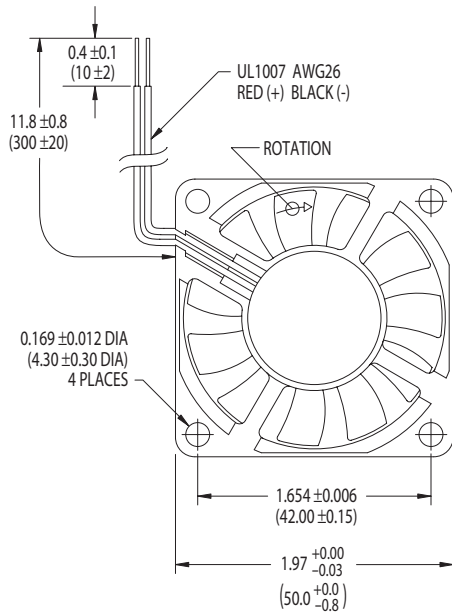


50x10mm



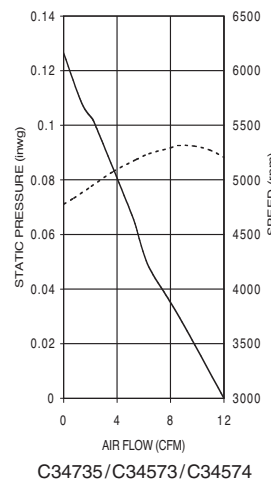
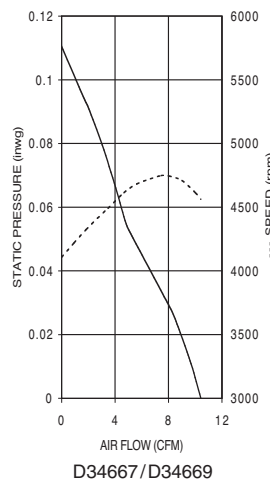
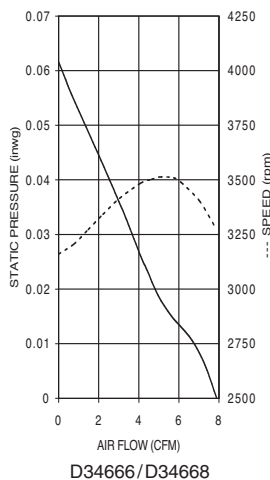
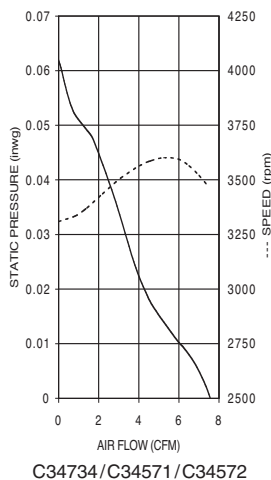
- ▶ Permanently Lubricated Ball Bearings or Long-Life NBR^Δ Designs
- ▶ Four Fully Enclosed Mounting Flanges for Mechanical Strength and Stability
- ▶ Strut Side Discharge
- ▶ Alarm/Tachometer Options Available
- ▶ Sound-Absorbing Thermoplastic Frame and Impeller Rated V-0

Unit weight = 0.7 oz. (20g)

TA200DC Series—Electrical and Mechanical Characteristics

Model	Air Flow (CFM)	Operating Voltage		Current (mA)	Power (W)	Sound Level		Fan Speed (rpm)	Bearing ^Δ	Operating Temp.	
		Nom. (V)	Range (V)			Pressure (dBA)	NPEL (Bels)			Min. (°C)	Max. (°C)
C34734	7.5	5.0	4.5-5.5	120	0.60	20.3	3.9	3,500	Ball	-10	+60
C34571	7.5	12	10.2-13.8	70	0.84	18.3	3.6	3,500	Ball	-10	+60
D34666	7.5	12	10.2-13.8	70	0.84	20.3	3.9	3,500	NBR	-10	+60
C34572	7.5	24	20.4-27.6	60	1.44	18.3	3.6	3,500	Ball	-10	+60
D34668	7.5	24	20.4-27.6	60	1.44	20.3	3.9	3,500	NBR	-10	+60
D34667	10	12	10.2-13.8	110	1.32	27.0	4.6	4,500	NBR	-10	+60
D34669	10	24	20.4-27.6	80	1.92	27.0	4.6	4,500	NBR	-10	+60
C34735	11	5.0	4.5-5.5	250	1.25	32.2	4.6	5,000	Ball	-10	+60
C34573	11	12	10.2-13.8	110	1.32	32.2	4.6	5,000	Ball	-10	+60
C34574	11	24	20.4-27.6	80	1.92	32.2	4.6	5,000	Ball	-10	+60

Note: Air flow, current, power, speed and sound level ratings are at nominal voltage against zero static pressure. NPEL = Noise Power Emission Level.
^Δ NBR, Nidec Bearing Revolution: See <http://www.nidec.com/nbr/nbr.htm>.



Power termination and signal options are designated by two-digit suffixes added to the model names: For 300 mm color-coded power leads with stripped ends, add "-16" to the model numbers.

