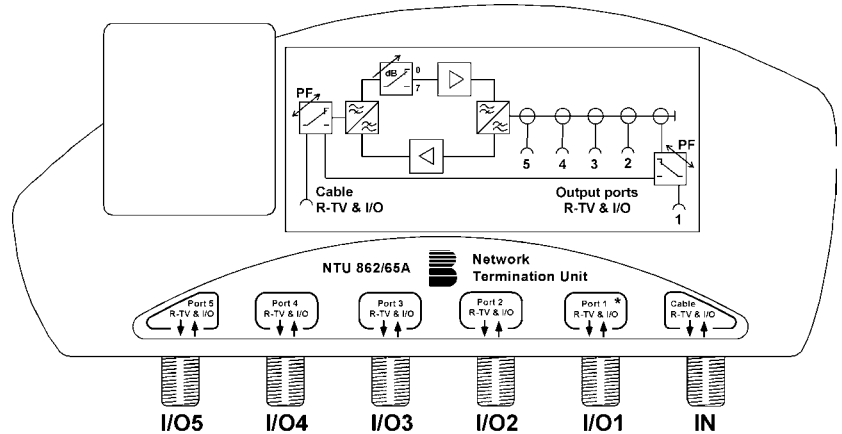


NTU 862/65A

Network Termination Unit (indoor)

Features:

- Ga-As HBT hybrids
- Low distortion
- Low noise
- Active reverse path
- High port-to-port isolation
- 5 I/O ports
- ECO power
- Power failure bypass
- 7 dB switchable attenuator



General specifications

Number of I/O outputs	5
Power supply	230Vac -50Hz +6/-10%
Dissipation	3.8 Watt typical
RF connectors all ports	F-female (IEC 169-24)
I/O3, I/O4 and I/O5 terminated with 75Ω load	yes
Facility for ground wire	yes
Suitable for wall mounting	yes
Power failure bypass	yes, between IN and I/O1
Safety specs	EN60065
EMC specs	EN50081-1 & EN50082-1
Immunity test voltage contact discharge	±4 kV
Immunity test voltage air discharge	±8 kV
MTBF	>100.000 hours
Power failure bypass switchover time	<25ms
Operating temperature	+5°C/+35°C

RF max. gain

IN > I/O1	(f= 87 – 862 MHz)	0.5	dB
IN > I/O2	(f= 87 – 862 MHz)	0.5	dB
IN > I/O3	(f= 87 – 862 MHz)	2	dB
IN > I/O4	(f= 87 – 862 MHz)	4.5	dB
IN > I/O5	(f= 87 – 862 MHz)	6.5	dB
I/O1 > IN	(f= 5 – 65 MHz)	0	dB
I/O2 > IN	(f= 5 – 65 MHz)	0	dB
I/O3 > IN	(f= 5 – 65 MHz)	1.5	dB
I/O4 > IN	(f= 5 – 65 MHz)	4.0	dB
I/O5 > IN	(f= 5 – 65 MHz)	6.5	dB
Gain tolerance		<± 1	dB
Roll-off	(f= 65 MHz and 87 MHz)	<1,5	dB
Bypass insertion loss	(f= 5 – 862 MHz)	<1,5	dB

RF isolation

I/O > IN (>40MHz/-1.5dB/oct)	(f= 87 – 862 MHz)	>30	dB
I/O > all other I/O ports	(f= 5 – 15 MHz)	>25	dB
	(f= 15 – 65 MHz)	>30	(typ. 35) dB
I/O > all other I/O ports (>40MHz/-1.5dB/oct)	(f= 87 – 862 MHz)	>22	dB

RF specifications

CSO/CTB, IN > I/O5	(EN50083, 42 ch, U _{in} =81 dBμV)	>52 / 62	dBc
Noise figure (internal generated)	(f= 87 – 862 MHz)	<4.0	dB
Noise figure IN > all I/O ports, (measured)	(f= 87 – 862 MHz)	<6.5 typical	dB
Noise figure (internal generated)	(f= 5 – 65 MHz)	<4.0	dB
Noise figure all I/O ports > input (measured)	(f= 5 – 65 MHz)	<20	dB
Return loss, all RF-ports (>40MHz/-1.5dB/oct)	EN 50083-3 cat. B	>18	dB