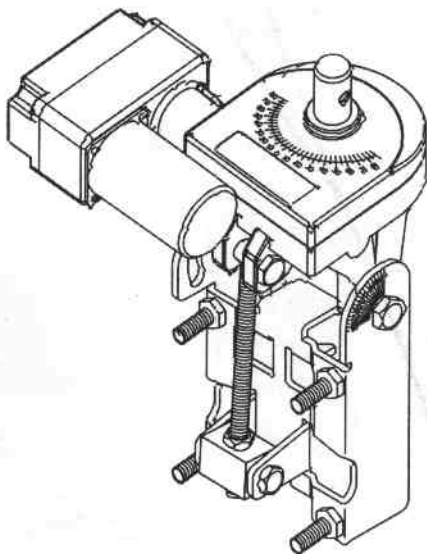


Silent Gold [®]

GEOTRACK SG Series

Silent Gold Motorized H-H Mount

MODEL NO. SG-99
 SG-100
 EL Version

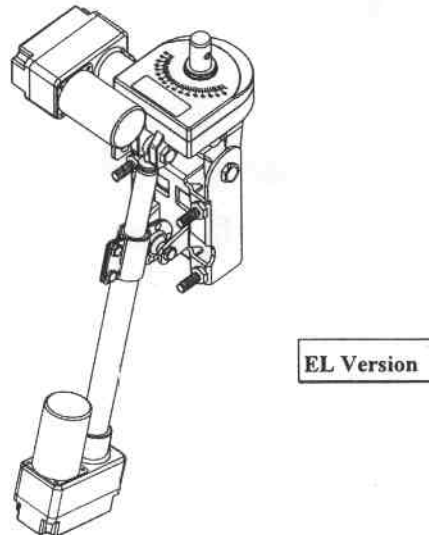
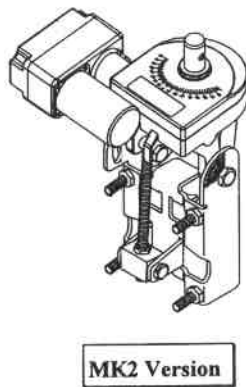
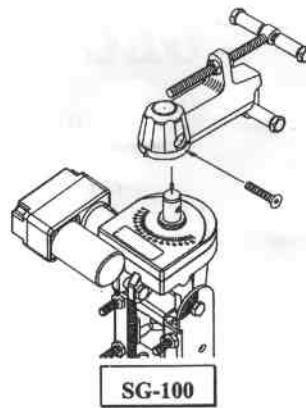
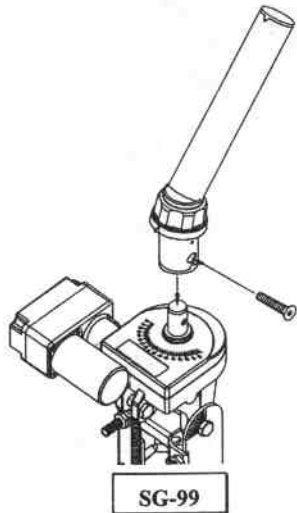


Extremely low noise -
Silent Gold
Compact and powerful -
Silent Gold

- Easy to upgrade fixed pole mount to Motorization system
- "Quick Track" design, easy installation
- Weather proof and rust protection
- Backlash eliminated

INTRODUCTION OF SILENT GOLD SERIES

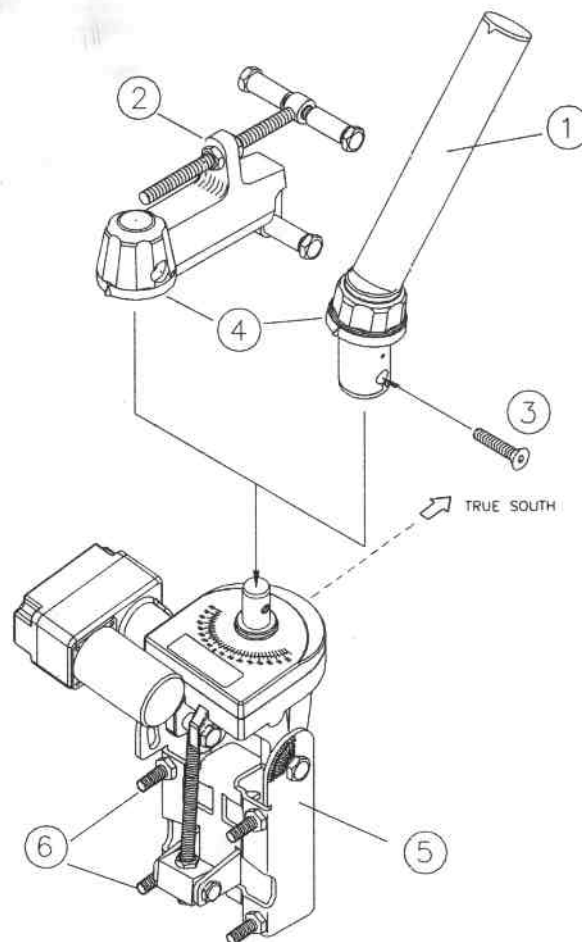
Silent Gold Series offers you the variety choices to satisfy your requirement. The following are Silent Gold Family:



The MK2 Version can be easily upgraded to Dual Axis System (EL Version). Please contact your dealer.

FIXING THE MOUNT

1. Make sure the mounting pole is **vertical** before you install.
2. Fix the mount onto the mounting pole and tighten the two U-screws **⑥** of the pole bracket **⑤** **evenly**.
3. Assemble the antenna mounting adapter **①** OR **②** with a **5mm hexagonal spanner**.



ALIGNMENT OF THE MOUNT

1. Aiming TRUE SOUTH.

Rotate the whole unit toward **TRUE SOUTH**. You can find the TRUE SOUTH via the *magnetic variation table* and a **compass** which indicates the MAGNETIC SOUTH.

2. Attaching the Antenna Dish to the mount.

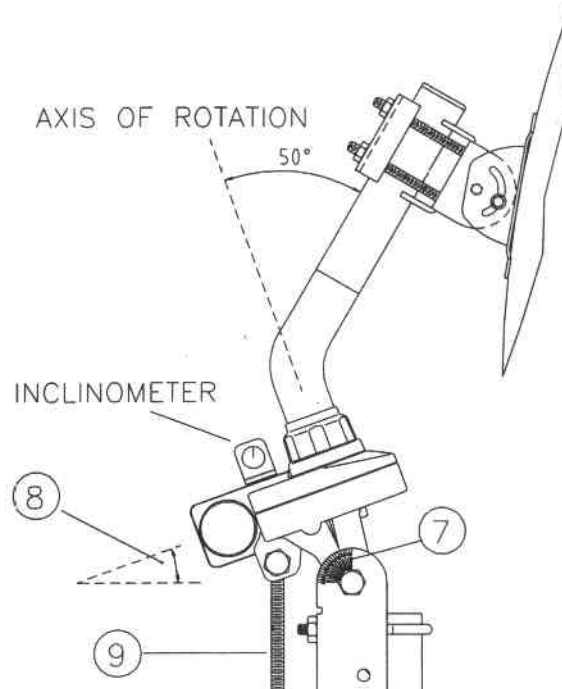
3. Setting Elevation Angle.

- Find the Elevation Angle by the attached **ANGLE TABLE**.
- Set the Elevation Angle ⑧ via an **Inclinometer** or the **scale ⑦** on the side of the pole bracket ⑨

4. Setting Declination Angle.

- Find the Declination Angle by the attached **ANGLE TABLE**.
- For SG-99, set the Declination Angle by the scale on the bracket of the antenna dish. The reading on the scale should be:

50° - DECLINATION ANGLE



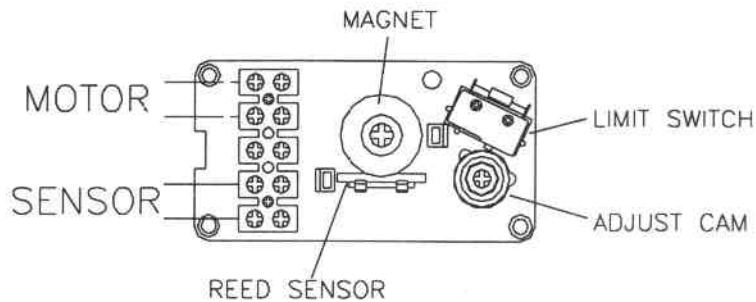
QUICK TRACKING

In order to quick check the polar arc, there is a special design for quick tracking.

1. Unscrew the screw ③ with a 5mm hexagonal spanner.
2. Rotate the antenna dish and mounting adapter ① OR ② manually to check there is good reception from all the satellites on the polar arc.
3. If the reception is not good enough, please recheck your South Alignment, Elevation Angle, and Declination Angle to find the best reception.
4. After adjustment, tighten the screw ③ to fix the mounting adapter.

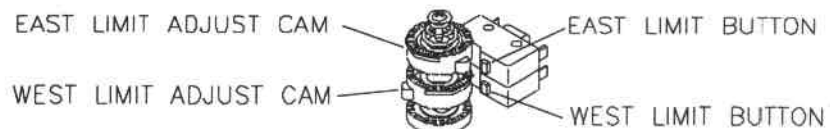
CONTROL CABLE CONNECTION

Connect the control cable from the positioner to the terminal of the gearbox as below.



LIMIT SETTING

The factory default setting is from 45°W to 45°E. If necessary, you can easily change the limit setting by adjusting the limit cam



1. **East Limit**

- a. For more Eastward movement, move the mount toward east by positioner until it stops. Check it was not stopped by the electronic limit of the positioner, if necessary, cancel this setting.
- b. Pull the East Limit adjust cam upward together with the laminated West Limit adjust cam and turn counterclockwise.

Notice: Before moving the mount to the new limit setting, please make sure the mount won't be blocked by anything. Otherwise, the antenna dish or the mount will break down.

- c. Check the new setting is acceptable
- d. For less eastward movement, move the mount to the position required.
- e. Pull the East Limit as in Step b. and turn clockwise to touch the East limit button.

2. **West Limit**

- a. For more westward movement, move the mount toward west by positioner until it stops.
- b. Pull the West Limit adjust cam upward only and turn clockwise.
- c. Check the new setting is acceptable.
- d. For less westward movement, move the mount to the position required.
- e. Pull the West Limit and turn counterclockwise to touch the west limit button.

3. Compare Table:

	Location	More Movement	Less Movement	Sequence
EAST LIMIT CAM	Downside	Counterclockwise	Clockwise	Step 1
WEST LIMIT CAM	Upside	Clockwise	Counterclockwise	Step 2

ELEVATION AND DECLINATION ANGLE TABLE

Your Site Latitude	Elevation Angle	Declination Angle
0	90	0.000
1	89	0.178
2	88	0.355
3	87	0.533
4	86	0.710
5	85	0.887
6	84	1.063
7	83	1.239
8	82	1.415
9	81	1.589
10	80	1.763
11	79	1.936
12	78	2.108
13	77	2.279
14	76	2.449
15	75	2.618
16	74	2.786
17	73	2.952
18	72	3.117
19	71	3.280
20	70	3.442
21	69	3.603
22	68	3.761
23	67	3.918
24	66	4.073
25	65	4.226
26	64	4.377
27	63	4.526
28	62	4.674
29	61	4.819
30	60	4.961
31	59	5.102
32	58	5.241
33	57	5.377

Your Site Latitude	Elevation Angle	Declination Angle
34	56	5.510
35	55	5.641
36	54	5.770
37	53	5.897
38	52	5.966
39	51	6.142
40	50	6.260
41	49	6.376
42	48	6.489
43	47	6.600
44	46	6.708
45	45	6.813
46	44	6.799
47	43	7.015
48	42	7.112
49	41	7.205
50	40	7.296
51	39	7.385
52	38	7.470
53	37	7.552
54	36	7.632
56	34	7.782
58	32	7.792
60	30	8.047
62	28	8.162
64	26	8.265
66	24	8.357
68	22	8.437
70	20	8.505
72	18	8.562
74	16	8.608
76	14	8.643
78	12	8.666
80	10	8.678